

7-4-98

CENTRAL MAPPING AUTHORITY
 Department of Lands
 Trigonometrical Survey of N.S.W.
 RECONNAISSANCE and MAINTENANCE REPORT

STATION **WARDEN HEAD G.S. 13 7297**
 Co: **ST. VINCENT** Ph: **ULLADULLA**
 Map Sheet: **ULLADULLA SOUTH** No: **6527**
 Inspected by: **A. BORDER** Date: **2-4-74**
 Authority: **C.M.A.** Field Book: **01382**

Note: Cross out word or words which do not apply

This Trig. Station has been:-

1. Completely cleared to permit 360° vision to surrounding Trigs.
2. Cleared by lanes bearing from Trig. Mast
3. Trig. Mast & Vanes have been painted white & black respectively.
4. The Trig. was unpiled/not unpiled, dimensions now being:

Description of mark: **706. AUS. W. ROCK. PD.** should be explicit, e.g. Steel plug, Brass plug, Bolt, G.I. Pipe
 Height of mark: m ^{above} _{below} rock/concrete m ^{above} _{below} G.L.
 Height of Top Vanes to Top Mark m. Diameter of Vanes (vertical) m.
 Height of Cairn m. Diameter of Cairn m.

- Length of Mast m. (approximate if not unpiled)
5. An. **SSM** set in conc/~~rock~~ ^{found} has been placed **5.102** m. bearing°M from Trig. ~~Mast~~ **Plug**
 6. A. ~~Star~~ **Picket** set in conc/~~soil~~ ^{found} has been placed **4.748** m. bearing°M from Trig. ~~Mast~~ **Plug**
 7. A set in conc/soil has been placed m. bearing°M from Trig. Mast
 8. A set in conc/rock has been placed m. bearing°M from Trig. Mast
 9. Connection **SSM** to ~~star~~ **picket** : **0.555** m. bearing°M
 10. Connection to m. bearing°M
 11. Connection to m. bearing°M
 12. Connection to m. bearing°M
 13. Diff. Ht. **SSM** is **0.163** m. ^{above} ~~below~~ Trig. ~~Plug~~ **fd.**
 14. Diff. Ht. ~~Star~~ **Picket** is **0.170** m. ^{above} ~~below~~ Trig. ~~Plug~~ **fd.**
 15. Diff. Ht. **SSM** is **0.008** m. ^{above} ~~below~~ **Star** ~~Picket~~ **Picket**.
 16. Diff. Ht. is m. ^{above} _{below}

Prepared by: **Paul Dwyer** 9-6-76 Checked: Noted on U.T.M. Card

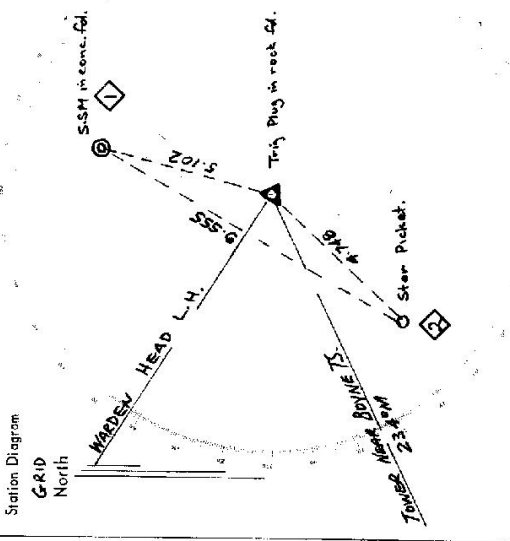
Date Record of Station
 Beacon Diagram Net to Scale

STATION **WARDEN HEAD G.S. TS 7297**

Current Occupant.....
 Address.....
 Access.....

Owners Name.....
 Address.....
 Access.....

Not to Scale

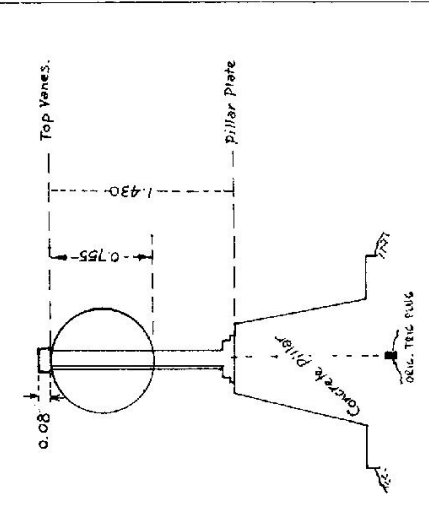


List of Observed Directions:-
 Standpoint: Trig. Plug in rock fd. Standpoint:

Station	Direction	Station	Direction
SSM in conc. fd.	353 59 60		
Star Picket in conc. fd.	208 10 03		
Tower near BONE TS	229 46 30		
WARDEN HEAD L.H.	287 36 54		
SSM in conc. fd.	355 59 60		
Station	Direction	Station	Direction

Co: ST. VINCENT Ph: ULLADULLA
Map Sheet: ULLADULLA SOUTH No: 8927-S
Inspected by: J. P. JACKSON Date: 11/6/1974
Authority Trig Survey Division CMA. Field Book: AB 1354

Beacon Diagram Not to Scale



Top of Pillar Plate is 1.605 above
Original Trig Plug

This Trig. Station has been:- Note: Cross out word or words which do not apply

1. Completely cleared to permit 360° vision to surrounding Trigs.
2. Cleared by lones bearing..... from Trig. Mast
3. Trig. Mast & Vanes have been painted white & black respectively.
4. The Trig. was unpiled/~~unpiled~~, dimensions now being:
Description of mark: Stainless Steel Plate & Spigot in Concrete Pillar should be explicit, e.g. Steel plug, Brass plug, Bolt, G.I. Pipe

Height of mark..... m above rock/concrete m above G.L.
Height of Top Vanes to Top Mark 1.43 m. Diameter of Vanes (vertical) 0.755 m.
Height of Cairn..... m. Diameter of Cairn..... m.

Length of Mast 1.51 m. (approximate if not unpiled)

5. An S.S.M. set in conc/~~rock~~ has been placed found 5.095 m. bearing 356°M from Trig. Mast
6. A Star Picket set in conc/~~rock~~ has been placed found 5.055 m. bearing 296°M from Trig. Mast
7. A Star Picket set in conc/~~rock~~ has been placed found 4.755 m. bearing 204°M from Trig. Mast
8. A FINAL set in conc/~~rock~~ has been placed found 25.170 m. bearing 262°M from Trig. Mast
9. Connection S.S.M. to Star Picket 5.015 m. bearing 296°M
10. Connection S.S.M. to Star Picket 9.550 m. bearing 327°M
11. Connection..... to..... m. bearing.....°M
12. Connection..... to..... m. bearing.....°M

13. Diff. Ht. S.S.M. in Conc. Fd. is 1.640 m. above Pillar Plate

14. Diff. Ht. Star Picket in Conc. is 1.705 m. above Pillar Plate

15. Diff. Ht. Star Picket in Conc. is 1.630 m. above Pillar Plate

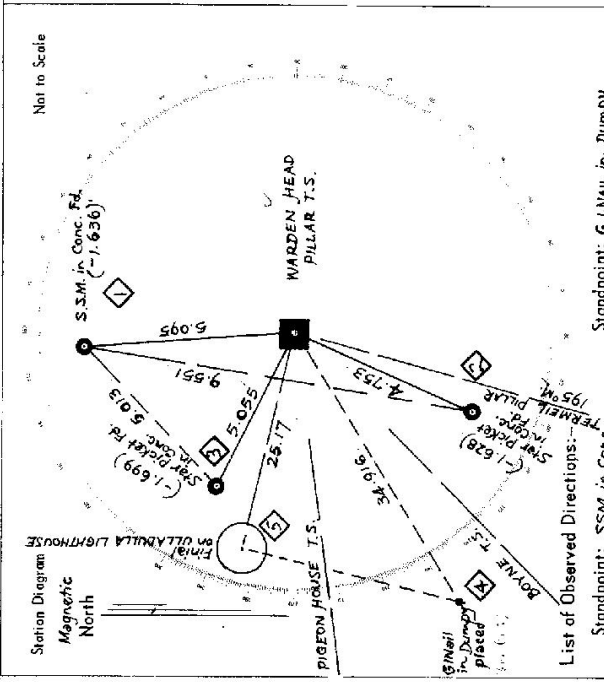
16. Diff. Ht. is m. above Pillar Plate

Prepared by: H. P. JACKSON Checked: H. P. JACKSON Noted on U.T.M. Card

Date: Record of Station

STATION WARDEN HEAD PILLAR TS 7297

Owners Name.....
 Current Occupant.....
 Address.....
 Address.....
 Access.....



List of Observed Directions:.....

Standpoint: SSM in Conc. Fd. (-1.636)

Station	Direction	Station	Direction
BOYNE T.S.	359 59 60"	BOYNE T.S.	359 59 60"
West Star Picket in Conc. Fd.	10 09 30"	ULLADULLA LIGHTHOUSE Final	149 17 19"
ULLADULLA LIGHTHOUSE Final	46 09 10"	WARDEN HEAD PILLAR SPIGGOT	195 21 45"
WARDEN HEAD PILLAR SPIGGOT	310 08 00"		
South Star Picket in Conc. Fd.	323 44 20"		

AT WARDEN HEAD PILLAR SPIGGOT

Station	Direction	Station	Direction
PIGEON HOUSE T.S.	359 59 60"	TERMEIL PILLAR T.S.	292 42 17"
ULLADULLA LIGHTHOUSE Final	20 59 33"	South Star Picket in Conc. Fd.	301 33 00"
West Star Picket in Conc. Fd.	34 10 30"	BOYNE Radio Repeater Mast	323 09 32"
SSM in Conc. Fd.	93 22 00"	BOYNE T.S.	323 14 04"
BHEKUEBRE North Tower	128 40 32"	GINAIL in Dump	338 34 00"

CENTRAL MAPPING AUTHORITY
Department of Lands

Trigonometrical Survey of N.S.W.

RECONNAISSANCE and MAINTENANCE REPORT

STATION WARDEN HEAD G.S. PILLAR
TS 7297

This Trig. Station has been:-

Note: Cross out word or words which do not apply

1. Completely cleared to permit 360° vision to surrounding Trigs.
2. Cleared by lanes bearing..... from Trig. Mast
3. Trig. Mast & Vanes have been painted white & black respectively ✓
4. The Trig. was unpiled/not unpiled, dimensions now being:

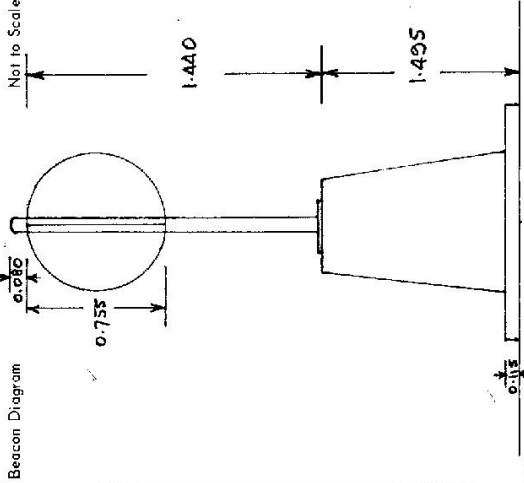
Description of mark: Concrete Obs. Pillar should be explicit, e.g. Steel plug, Brass plug, Bolt, G.I. Pipe
 Height of mark..... m above rock/concrete m above G.L.
 Height of Top Vanes to Top Mark: 1.440 m. Diameter of Vanes (vertical) 0.755 m.
 Height of Concrete Pillar 1.380 m. Diameter of Cairn..... m.

- Length of Mast 1.52 m. (approximate if not unpiled)
5. A. SSM set in conc/soil has been placed 5.111 m. bearing.....°M from Trig. Wood Pillar
 6. A. Star Picket set in conc/soil has been placed 4.732 m. bearing.....°M from Trig. Wood Pillar
 7. A..... set in conc/soil has been placed..... m. bearing.....°M from Trig. Mast
 8. A..... set in conc/rock has been placed..... m. bearing.....°M from Trig. Mast

9. Connection SSM to Star Picket : 0.543 m. bearing.....°M
10. Connection..... to..... m. bearing.....°M
11. Connection..... to..... m. bearing.....°M
12. Connection A to..... m. bearing.....°M
13. Diff. Ht. SSM is 1.640 m. Pillar Plate
Below
14. Diff. Ht. Star Picket is 1.622 m. Pillar Plate
Below
15. Diff. Ht. SSM is 0.019 m. Star Picket
Below
16. Diff. Ht. is..... m. Star Picket
Above

Prepared by: Paul Abaj 9/6/16
Checked: Noted on U.T.M. Card

Co: ST. VINCENT | Ph: Ulladulla
 Map Sheet: ULLADULLA SOUTH | No: 8927
 Inspected by: H. BORDER | Date: 19-2-75
 Authority: C.M.A. | Field Book: D1382



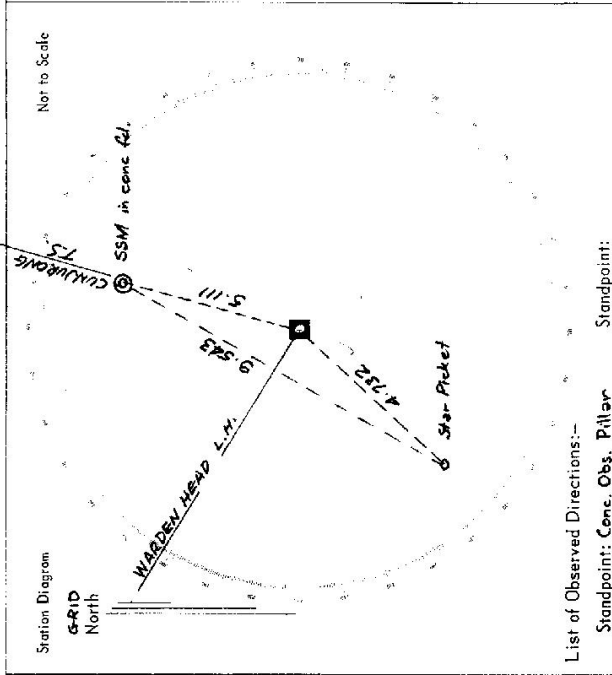
Date

Checked

STATION WARDEN HEAD G.S. PILLAR IS 7297

Owners Name.....
 Address.....
 Access.....

Current Occupant.....
 Address.....
 Access.....



List of Observed Directions:-

Standpoint: Conc. Obs. Pillar		Standpoint:	
Station	Direction	Station	Direction
S.S.M. in conc. G.I.	329 57 60		
CUNJURONG T.S.	1 30 30		
Star Picket in conc. G.I.	208 30 00		
WARDEN HEAD L.H.	287 44 48		
Station	Direction	Station	Direction

7297

Department of Lands
 Integrated Survey of N.S.W.

RECONNAISSANCE and MAINTENANCE REPORT

STATION **T.5 9835** **WARDEN HEAD L.P.**

Co: _____ Ph: _____
 Map Sheet: **4112/113** **1:250 000** No: _____
 Inspected by: **W.E. SAINSBURY** Date: **15th July 1978**
 Authority: **Dept. of Main Roads** Field Book: _____

Beacon Diagram Not to Scale

This Trig. Station has been:-
 Note: Cross out word or words which do not apply

1. Completely cleared to permit 360° vision to surrounding Trigs.
2. Cleared by lances bearing from Trig. Mast
3. Trig. Mast & Vanes have been painted white & black respectively.
4. The Trig. was unpiled/not unpiled, dimensions now being:

Description of mark should be explicit, e.g. Steel plug, Brass plug, Ball, Concrete Pillar

Height of mark m above rock/concrete m below G.L.

Height of Top Vanes to Top Mark/Top pillar plate m Diameter of Vanes (vertical) m.

Height of Cairn m. Diameter of Cairn m.

Length of Mast m. (approximate if not unpiled)

5. A set in conc/rock has been placed/fd m. bearing°M from Trig. Mast/pillar
6. A set in conc/soil has been placed/fd m. bearing°M from Trig. Mast/pillar
7. A set in conc/soil has been placed/fd m. bearing°M from Trig. Mast/pillar
8. A set in conc/rock has been placed/fd m. bearing°M from Trig. Mast/pillar

9. Connection to m. bearing°M

10. Connection to m. bearing°M

11. Connection to m. bearing°M

12. Connection to m. bearing°M

13. Diff. Ht. is. m. ^{above}/_{below}

14. Diff. Ht. is. m. ^{above}/_{below}

15. Diff. Ht. is. m. ^{above}/_{below}

16. Diff. Ht. is. m. ^{above}/_{below}

Prepared by: **W.E. Sainsbury** Checked: **B.A.A.**

Date	Record of Station
15/7/78	Pillar occupied (No name plate on pillar)

GEODETIC SURVEY OF N.S.W.

CENTRAL MAPPING AUTHORITY

GEODETIC STATION RECONNAISSANCE and MAINTENANCE REPORT

STATION: **WARDEN HEAD (Pillar)** No.: **TS 7297**

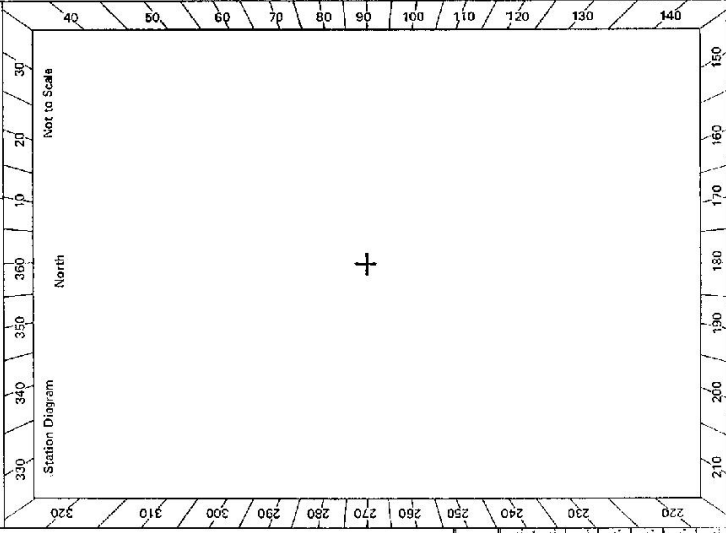
MAP SHEET SCALE 1:250 000 **ULLADULLA.**

INSPECTED BY: **H. C. BORDER** DATE: **6.1.18**

AUTHORITY: **C.M.A** FIELD BOOK: **01655**

Description: *Note: Cross out word or words which do not apply*

1. Cleared by lanes bearing..... from Trig. Mast
2. Mast & Vanes have been painted white & black respectively. ✓
3. The station/pillar was ~~unpainted~~ constructed on **2.4** m, dimensions now being: Description of mark..... should be explicit, e.g., S/Steel Pillar Plate, Steel plug, Brass plug, Bolt, G.I. Pipe
Height of mark.....m. ^{above} rock/concrete; Mark is.....m. ^{above} G.L.
Height of Top Vanes to Top ~~Mark~~ Pillar plate **1.150** m. Diameter of Vanes (vertical) **0.155** m.
Height of ~~Earth~~.....m. Diameter of ~~Gain~~.....m. Name Plate found/~~not found~~/placed.
Length of Mast **1.230** m. (approximate if not unpeeled)
4. A..... set in conc./rock has been placed/found, bearing.....°M from Mast/Plug/Pillar
5. A..... set in conc./rock has been placed/found, bearing.....°M from Mast/Plug/Pillar
6. A..... set in conc./rock has been placed/found, bearing.....°M from Mast/Plug/Pillar
7. A..... set in conc./rock has been placed/found, bearing.....°M from Mast/Plug/Pillar
8. Action required:.....



STANDPOINT:

Mark	Direction	Horiz. Distance	Height Difference	Mark	Direction	Horiz. Distance	Height Difference
			above standpt.				above standpt.
			below				below
			above standpt.				above standpt.
			below				below
			above standpt.				above standpt.
			below				below
			above standpt.				above standpt.
			below				below
			above standpt.				above standpt.
			below				below
			above standpt.				above standpt.
			below				below

Prepared by: **H. C. Border**

Checked: **H. C. Border**

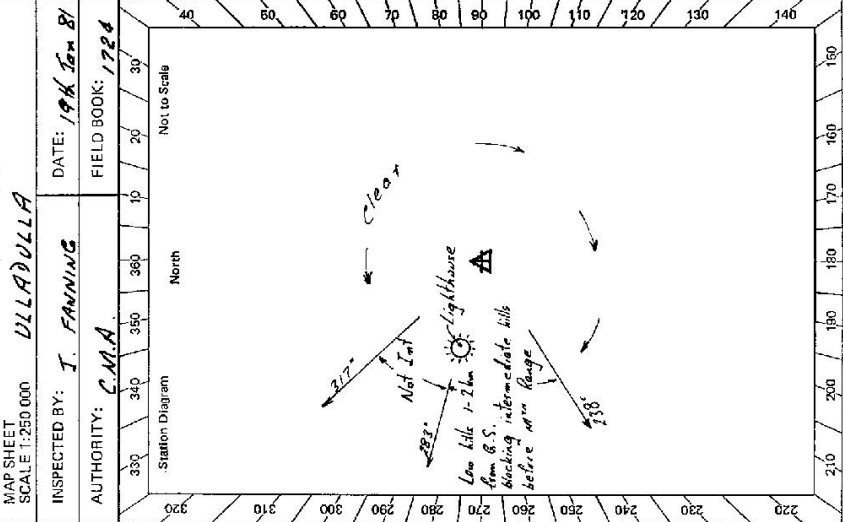
GS 24

STATION WARDEN HEAD (PILLAR) IS 7297	Owner's Name: Address: Phone: Current Occupant: Address: Phone: Access Report of/19.....was found suitable/unsuitable. <p style="text-align: center;"><u>ACCESS</u></p>	Beacon Diagram <p style="text-align: right;">New Mark + Vanes placed 0.78</p>
This section to be completed by officer constructing pillar. Original station mark found/not found.		Description of mark: Original beacon found/not found.
Description of beacon: Height, Top of Vanes to Top Markm. Height of markm, above G.L., below rock/concm, below Diameter of Vanesm. Height of Cairnm. Original Beacon has/has not been destroyed by ma.		Date Record of Station

TS 7297
No.: 4885

STATION: **WARDEN HEAD (P)**
MAP SHEET SCALE 1:250 000
INSPECTED BY: **I. FANNING**
DATE: **19th Jan 81**
AUTHORITY: **C.M.A.**
FIELD BOOK: **1984**

Station Diagram
North
Not to Scale
320 330 340 350 360 370 380 390 400
220 230 240 250 260 270 280 290 300 310 320



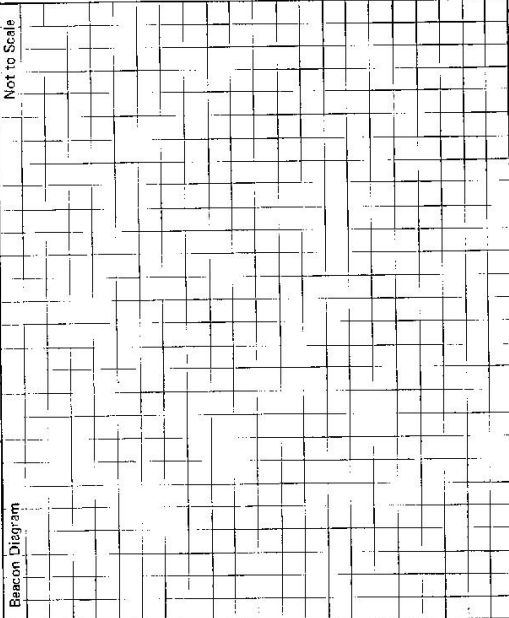
CENTRAL MAPPING AUTHORITY
GEODETTIC SURVEY OF N.S.W.
GEODETTIC STATION RECONNAISSANCE and MAINTENANCE REPORT

- Description: *See diagram*
Note: Cross out word or words which do not apply
- Cleared by lanes bearing *See diagram* from Trig. Mast
 - Mast & Vanes have been painted white & black respectively.
 - The station/pillar ~~was unpainted~~ *unpainted* on *19.8.81*, dimensions now being: Description of marks *Pillar Plate* should be explicit, e.g. S/Steel Pillar Plate, Steel plug, Brass plug, Bolt, G.I. Pipe
Height of mark *above* m. *below* G.L.
Height of Top Vanes to ~~Top~~ *Plate* *above* m. *below* m. Diameter of Vanes (vertical) *0.255* m.
Height of Cairn *0.210* m. Diameter of Cairn *not found* ~~placed~~.
Length of Mast *not found* m. (approximate if not unpiled)
 - A *Steel* set in conc/rock has been ~~placed~~ *found*, bearing *355°* M from Mast/Plug/Pillar
 - A *Steel* set in conc/rock has been ~~placed~~ *found*, bearing *296°* M from Mast/Plug/Pillar
 - A *Steel* set in conc/rock has been ~~placed~~ *found*, bearing *296°* M from Mast/Plug/Pillar
 - A *Steel* set in conc/rock has been ~~placed~~ *found*, bearing *296°* M from Mast/Plug/Pillar
 - Action required: *Vanish, need both in support station. M.S. need painting.*

Mark	STANDPOINT:			
	Grid Direction	Horiz. Distance	Height Difference	Mark
<i>Figs. 57-62</i>				<i>Observed</i>
<i>Coysong</i>	<i>8</i>	<i>11</i>	<i>hill below</i>	<i>44</i>
<i>Ternell</i>	<i>206</i>	<i>17.7</i>	<i>hill below</i>	<i>210</i>
<i>Boyne</i>	<i>287</i>	<i>18.2</i>	<i>hill below</i>	<i>263</i>
<i>Woodburn</i>	<i>202</i>	<i>10.6</i>	<i>MW below</i>	<i>220</i>
<i>Ligeon House</i>	<i>274</i>	<i>20.6</i>	<i>MW below</i>	
<i>Little Forest</i>	<i>203</i>	<i>16.4</i>	<i>hill below</i>	
<i>Milton</i>	<i>316</i>	<i>8.1</i>	<i>hill below</i>	

Prepared by: **I. Fanning**
Checked: **I. Fanning**
Noted on U.T.M. Card **W. J. 7/1981**
Checked **W. J. 7/1981**

GS 24

STATION WARDEN HEAD IS 7297	<p>Owner's Name: <i>Commonwealth Power Land</i> Address: <i>Maintained by Stockton-on-Tees Council</i> Phone:</p> <p>Current Occupant:</p> <p>Address:</p> <p>Phone:</p> <p style="text-align: center;">ACCESS</p> <p>Access Report of <i>M.L.L./1981</i> was found suitable/unavailable.</p> <p><i>D.O P.O. Unavailable travel south</i> <i>D.57 Torn left into "Peering Street"</i> <i>2 23 Lighthouse & G.S.</i></p>
Beacon Diagram Not to Scale	
This section to be completed by officer constructing pillar.	
Original station mark found/not found. Description of mark: Original beacon found/not found. Description of beacon: Height Top of Vanes to Top Markm. Height of markm. above rock/concm. below G.L. Diameter of Vanesm. Height of Cairnm. Original Beacon has/has not been destroyed by me.	
Data	Record of Station

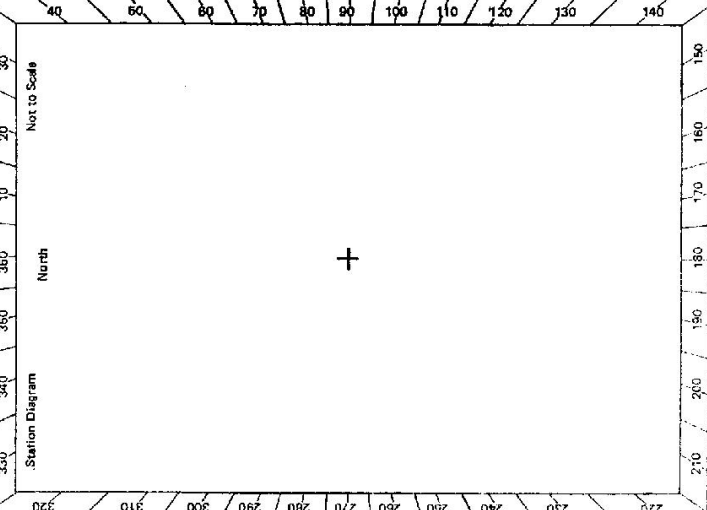
2 of 2

GEODETTIC SURVEY OF A.S.W.

CENTRAL MAPPING AUTHORITY

GEODETTIC STATION RECONNAISSANCE and MAINTENANCE REPORT

STATION: **WARDEN HEAD (C)** No.: **TS7297**
 MAP SHEETS SCALE 1:250 000 SCALE 1:100 000
 INSPECTED BY: **P. BOTS** DATE: **24/6/88**
 AUTHORITY: **C.M.A.** FIELD BOOK: **1964**



- Description: *None: Cross out word or words which do not apply*
- Cleared by Janes bearing..... from Trig. Mast
 - Mast & Vanes have been painted white & black respectively.
 - The station/pillar was unpiled/not unpiled/constructed on..... 19....., dimensions now being: Description of mark..... should be explicit, e.g., S/Steel Pillar Plate, Steel plug, Brass plug, Bolt, G.I. Pipe
 Height of mark..... m. above below rock/concrete; Mark is..... m. above below G.L.
 Height of Top Vanes to Top Mark/Pillar plate..... m. Diameter of Vanes (vertical)..... m.
 Height of Cairn..... m. Diameter of Cairn..... m. Name Plate found/not found/placed.
 Length of Mast..... m. (approximate if not unpiled)
 - A..... set in conc/rock has been placed/found, bearing..... ° M from Mast/Plug/Pillar
 - A..... set in conc/rock has been placed/found, bearing..... ° M from Mast/Plug/Pillar
 - A..... set in conc/rock has been placed/found, bearing..... ° M from Mast/Plug/Pillar
 - A..... set in conc/rock has been placed/found, bearing..... ° M from Mast/Plug/Pillar
 - Action required:.....

Mark	Direction	Horiz. Distance	Height Diff: ease	Mark	Direction	Horiz. Distance	Height Difference
Bovine (C)	0 00 00		above standpt				above standpt
(P)	144 36 40		below standpt				below standpt
STAR PILET	112 58 20	7.088	below standpt				below standpt
S.S.M	143 46 20	9.582	below standpt				below standpt
CONCRETE PILLAR TO OLD MAST AT CONCRETE PILLAR	159 02 10	4.720	above standpt				above standpt
DUREAS (C)	159 34 35	4.702	above standpt				above standpt
	331 27 20		above standpt				above standpt

STANDPOINT: STAR PILET IN CONCRETE.

Prepared by: **P. Bots** 29/6/88
 Checked by: **P. Bots** 29/6/88
 Noted on: **U.T.M. Cart**

