

GEODETTIC SURVEY OF NSLW

CENTRAL MAPPING AUTHORITY

GEODETTIC STATION RECONNAISSANCE and MAINTENANCE REPORT

Description:

1. Cleared by Janes bearing 360° from Trig. Mast
 Note: Cross out word or words which do not apply
2. Mast & Vanes have been painted white & black respectively.
3. The station/pillar was ~~erected~~ constructed on 3.5 19.8 dimensions now being:
 Description of mark $DAKLEY$ should be explicit, e.g., S/Steel Pillar Plate, Steel plug, Brass plug, Bolt, G.I. Pipe
 Height of mark 1.366m. ^{above} ~~below~~ rock/concrete; Mark is 1.5m. ^{above} ~~below~~ G.L.
 Height of Top Vanes to Top Mark/Pillar plate 1.435m. Diameter of Vanes (vertical) 0.755m.
 Height of Cairn.....m. Diameter of Cairn.....m. Name Plate found/hot found/placed.
 Length of Mast 1.515m. (approximate if not unplied)
4. A. $BRASS$ $PLUG$ set in conc/rock has been placed/found, bearing 272.7° from Mast/Plug/Pillar
5. A. $COLLAR$ set in conc/rock has been placed/found, bearing 276° from Mast/Plug/Pillar
6. A. $COLLAR$ set in conc/rock has been placed/found, bearing 153° from Mast/Plug/Pillar
7. A. $COLLAR$ set in conc/rock has been placed/found, bearing 199 from Mast/Plug/Pillar
8. Action required.....

STANDPOINT: $CONC$ $PILLAR$

Mark	Direction	Horiz. Distance	Height Difference	Mark	Direction	Horiz. Distance	Height Difference
DAKLEY GS	359 59 60		above standpt	DAKLEY GS	329 59 60		above standpt
COLLAR NAIL	155 28 20	4.369	above standpt	BOOYAMAMINA P	50 34 35	4.570	above standpt
COLLAR (P)	199 18 05		below	COLLAR NAIL	101 21 05	5.452	below standpt
BRASS PLUG	230 56 30	4.664	above standpt	MUMBAIDAH PILLAR	250 41 15		above standpt
SSM	250 42 10		below	BOOYAMAMINA (P)	290 35 35		below standpt
BOOYAMAMINA (R)	279 27 50	6.512	above standpt	SSM	323 54 10	4.914	above standpt
BOOYAMAMINA (P)	290 35 00		below	COLLAR PILLAR	199 16 35		below

STANDPOINT: $BRASS$ $PLUG$

Mark	Direction	Horiz. Distance	Height Difference	Mark	Direction	Horiz. Distance	Height Difference
DAKLEY GS	329 59 60		above standpt	COLLAR NAIL	101 21 05	5.452	below standpt
BOOYAMAMINA P	50 34 35	4.570	above standpt	MUMBAIDAH PILLAR	250 41 15		above standpt
COLLAR NAIL	101 21 05	5.452	below standpt	BOOYAMAMINA (P)	290 35 35		below standpt
MUMBAIDAH PILLAR	250 41 15		above standpt	SSM	323 54 10	4.914	above standpt
BOOYAMAMINA (P)	290 35 35		below standpt	COLLAR PILLAR	199 16 35		below

Checked: $S.S.M.$ Noted on U.T.M. Card

Prepared by:

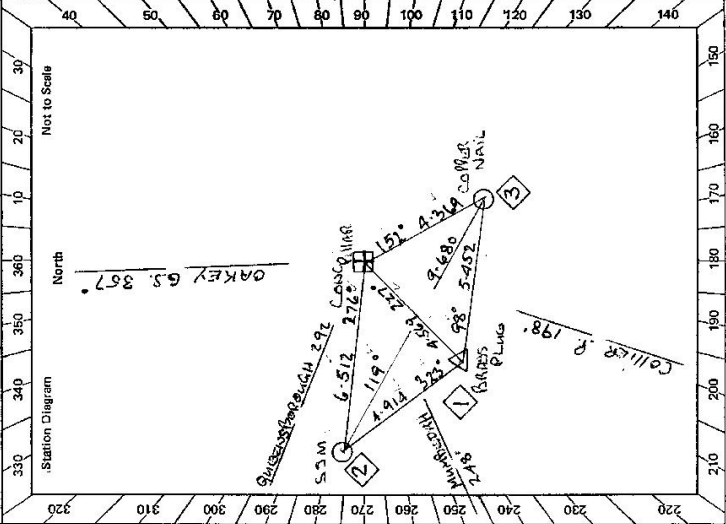
Checked:

STATION: BOOYAMAMINA (P) No: 6673

MAP SHEET SCALE 1:250 000 GILGANDERRA

INSPECTED BY: W. W. GILLIBRAY DATE: 31-3-81

AUTHORITY: CMA FIELD BOOK: 1918



Checked

81 2738-1

GS 24

STATION BOOYAMURNA Pillar 6673	Owner's Name: MR. JOHN JAMES Address: SPRINGVALE Phone: 063 774513 Current Occupant: Address: Phone:
ACCESS Access Report of 31/3/1981 was found suitable/unusable.	
0-0 14-87 20-47 20-83 21-68 24-87 25-22 27-17 28-29	COONAH VALLEY HOTEL TURN LEFT SIGN POST JURRA VALLE STATION TURN LEFT SPRINGVALE PROPERTY. TAKE MAIN TRACK. LEFT OF HOUSE IRON GATE. IRON GATE. FOLLOW MAIN TRACK EAST TANKS. IRON GATE. FOLLOW TRACK TO RIGHT. TRACK TURNS RT TO LEFT. FOLLOW ALONG RIDGE TO FENCE CORNER. THEN GATE. GO RIGHT ALONG FENCE. YARDS. AT YARDS TURN HARD LEFT. MAKE WAY UP RIDGE THEN TO GS.
Date Record of Station	* SEE ACCESS BY G. FORD 8.8.81 Measured by TRIPMASTER.

Beacon Diagram Not to Scale 	This section to be completed by officer constructing pillar. Original station mark found/lost/removed Description of mark: BRASS PILLAR ON ROCK Original beacon found/lost/removed Description of beacon: MASIVANES ROCK CAIRN Height Top of Vanes to Top Mark: 3.346 m. Height of mark: 0.7 m. above rock/beam, 0.6 m. below G.L. Diameter of Vanes: 0.760 m. Height of Cairn: 1.80 m. Original Beacon has/has not been destroyed by me.
------------------------------------	--

CENTRAL MAPPING AUTHORITY

GEODETIC SURVEY OF M.S.W.

GEODETIC STATION RECONNAISSANCE and MAINTENANCE REPORT

STATION: **BOOVAMURNA (P)** No.: **6673**

MAP SHEET SCALE 1:250 000 **GILGANDRA**

INSPECTED BY: **G. FORD** DATE: **8-8-81**

AUTHORITY: **C.M.A** FIELD BOOK: **-**

Description:
 1. Cleared by lanes bearing.....
 Note: Cross out word or words which do not apply
from Trig. Mast

2. Mast & Vanes have been painted white & black respectively.

3. The station/pillar was unpiled/not unpiled/constructed on.....
19....., dimensions now being:

Description of mark.....should be explicit, e.g., S/Steel Pillar Plate, Steel plug, Brass plug, Bolt, G.I. Pipe

Height of mark.....^{above} rock/concrete; Mark is.....^{above}.....^{below} G.L.

Height of Top Vanes to Top Mark/Pillar plate.....^{above}.....^{below}.....m. Diameter of Vanes (vertical).....m.

Height of Cairn.....m. Diameter of Cairn.....m. Name Plate ~~found/not found~~/placed.

Length of Mast.....m. (approximate if not unpiled)

4. A.....set in conc/rock has been placed/found, bearing.....° M from Mast/Plug/Pillar

5. A.....set in conc/rock has been placed/found, bearing.....° M from Mast/Plug/Pillar

6. A.....set in conc/rock has been placed/found, bearing.....° M from Mast/Plug/Pillar

7. A.....set in conc/rock has been placed/found, bearing.....° M from Mast/Plug/Pillar

8. Action required:.....

STANDPOINT:

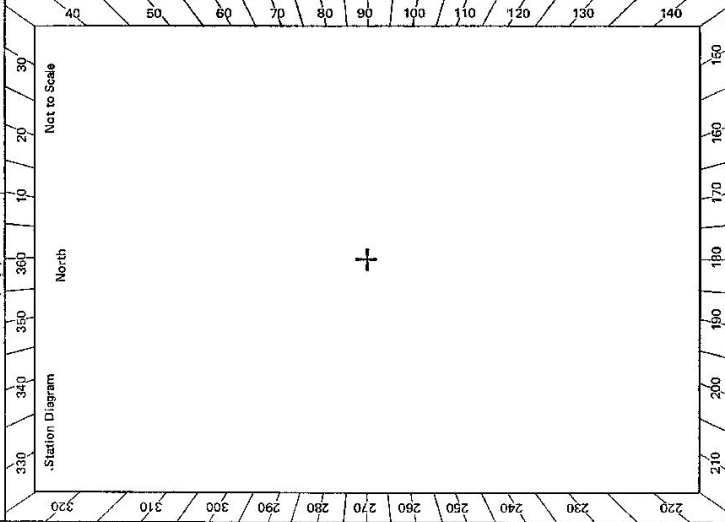
Mark	Direction	Horiz. Distance	Height Difference	Mark	Direction	Horiz. Distance	Height Difference
			above standpt				above standpt
			below				below
			above standpt				above standpt
			below				below
			above standpt				above standpt
			below				below
			above standpt				above standpt
			below				below
			above standpt				above standpt
			below				below
			above standpt				above standpt
			below				below

Prepared by:

Checked:

Sr 2793-1

Checked



CENTRAL MAPPING AUTHORITY

GEODETIC STATION RECONNAISSANCE and MAINTENANCE REPORT

GEODETIC SURVEY OF N.S.W.

STATION: **BOOYANMURRA** No.: **6673**
 MAP SHEET SCALE 1:250 000. **GILBANDRA**
 INSPECTED BY: **J. FANNING** DATE: **28 Aug 20**
 AUTHORITY: **L.M.A. 229** FIELD BOOK: _____
 Station Diagram:

- Description: **260°** Note: Cross out word or words which do not apply
- Cleared by ~~James Bennett~~ **260°** from Trig. Mast
 - Mast & Vanes have been painted white & black respectively.
 - The station ~~marker~~ **was replaced** on **28 Aug 20**, dimensions now being: **19.88m**, should be explicit, e.g., S/Steel Pillar Plate, Steel plug, Brass plug, Bolt, G.I. Pipe
- Description of mark: **?**
- Height of mark: **?** above rock/concrete; Mark is **?** above below G.L.
- Height of Top Vanes to Top Mark/Pillar plate **?** Diameter of Vanes (vertical) **0.750m**.
- Height of Cairn **?** Diameter of Cairn **?** Name Plate ~~found~~ not found ~~placed~~.
- Length of Mast **1.5m** (approximate if not unpiled)
- A **5.5m** set in conc/rock has been ~~placed~~ found, bearing **226°** M from Mast ~~Height~~ **4.885m**
 - A **?** set in conc/rock has been placed/found, bearing **?** M from Mast/Plug/Pillar
 - A **?** set in conc/rock has been placed/found, bearing **?** M from Mast/Plug/Pillar
 - A **?** set in conc/rock has been placed/found, bearing **?** M from Mast/Plug/Pillar
- Action required: **Exact conc. pillar + 1 witness mark**

Previous/Mark Observed	Sight Direction	Horiz. Distance	Height Difference	Grid Direction	Horiz. Distance	Height Difference	STANDPOINT:	
							Mark	Checked
MUMBEDAH	259 38 02	231 M	above standpt.	49	15.7	411	above standpt.	Checked
BULLARDOY	286 40 10	313	below standpt.	93°	27.5	6	below standpt.	Checked
QUEENSBRO	299 32 34	94	above standpt.	105°	35	6	above standpt.	Checked
DAKEY	8 56 21	153	below standpt.	130°	15.4	6	below standpt.	Checked
BDNE	35 39 30	224	above standpt.	99°	16.8	6	above standpt.	Checked
BORAMBIL (A)	145 06 47	296	below standpt.	115°	16.8	6	below standpt.	Checked
TURILL	160 14 29	209	above standpt.					Checked
COLLIER	208 12 32	156	below standpt.					Checked
NARANGARIE	235 49 52	296	above standpt.					Checked
CODLAH	246 06 52	162	below standpt.					Checked
HOOK 8833	224 29 53	356	above standpt.					Checked
SUMMER HILL	157 20 14	399	below standpt.					Checked

Prepared by: **J. FANNING** Checked: **P. Holden** Noted on U.T.M. Card

GS 24

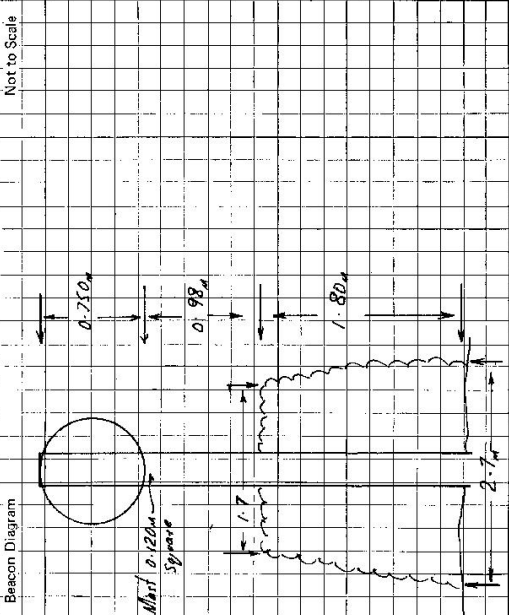
STATION *BOOYAMURNA G.S. 6673*

Owner's Name: *John James*
 Address: *Springvale*
 Phone: *(063) 774513*
 Current Occupant:
 Address:
 Phone: *28-8-80*

Access Report of *A.I. 2.119.2* was found *unsuitable* (unsuitable).

- 0-0 "Coolal Valley Hotel" Coolal Travel East
- 14-87 Turn left Signpost "Innes Vale Station"
- 20-47 Turn left "Springvale" Property Follows up track to left of house
- 20-83 Iron gate
- 21-68 Iron gate
- 22-77 Take right fork 20m before come back follow up along fence on ridge
- 24-67 Iron gate follow track to right
- 25-22 Track turns 170° to left becomes indistinct follow along ridge to fence corner
- 27-17 Thru gate to west then right along fence
- 28-29 Turn hard left before yards make way up ridge line to trig

ACCESS



This section to be completed by officer constructing pillar.

Original station mark found/not found.

Description of mark:

Original beacon found/not found.

Description of beacon:

Height Top of Vane to Top Mark:m.

Height of mark:m. above G.L. /m. below G.L.

Diameter of Vane:m. Height of Cairn:m.

Original Beacon has/has not been destroyed by me.

Date	Record of Station
<i>17th Sept 80</i>	<i>Within permission to fill & clear received (File 55/1/686)</i>

GEODETTIC SURVEY OF A.S.W.

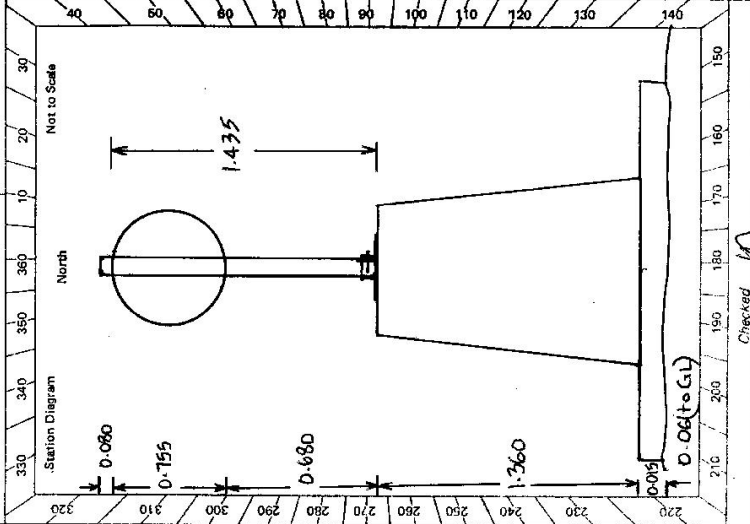
CENTRAL MAPPING AUTHORITY

GEODETTIC STATION RECONNAISSANCE and MAINTENANCE REPORT

STATION: BOOYAMURNA (P) **No.:** 6673

MAP SHEETS: Gilgandra **SCALE:** 1:100 000
INSPECTED BY: J. Sutton **DATE:** 09 Sept. 1987

AUTHORITY: CMA **FIELD BOOK:** —



- Description:** Found
 Cleared by lanes bearing 360° *Note: Cross out word or words which do not apply*
 are ~~here~~ painted white & black respectively.
 1. Mast & Vanes ~~was~~ *is* ~~not~~ unpiled/ ~~separated~~ on 24th September 1987. Dimensions now being:
 Description of mark: ~~5/8" Pillar Plate~~ should be explicit, e.g., S/Steel Pillar Plate, Steel plug, Brass plug, Bolt, G.I. Pipe
 Height of mark 1.360 m. ^{above} ~~below~~ ~~rock~~/concrete; Mark is 1.42 m. ^{above} ~~below~~ G.L.
 Height of Top Vanes to Top Mark/Pillar plate 1.435 m. Diameter of Vanes (vertical) 0.755 m.
 Height of Cairn 1.515 m. Diameter of Cairn 0.080 m. Name Plate found/~~not found~~/~~placed~~.
 Length of Mast 1.515 m. (approximate if not unpiled)
 4. A Brass Plug ~~set in conc/rock~~ has been ~~placed~~ found, bearing 277.7° M from Mast/Plug/Pillar 4.57 m
 5. A S.M. ~~set in conc/rock~~ has been ~~placed~~ found, bearing 276° M from Mast/Plug/Pillar 6.51 m
 6. A Copper Nail ~~set in conc/rock~~ has been ~~placed~~ found, bearing 192° M from Mast/Plug/Pillar 4.37 m
 7. A ~~set in conc/rock~~ has been placed/found, bearing 0° M from Mast/Plug/Pillar
 8. Action required: **Nil**

STANDPOINT:							
Mark	Direction	Horiz. Distance	Height Difference	Mark	Direction	Horiz. Distance	Height Difference
			above standpt				above standpt
			below standpt				below standpt
			above standpt				above standpt
			below standpt				below standpt
			above standpt				above standpt
			below standpt				below standpt
			above standpt				above standpt
			below standpt				below standpt
			above standpt				above standpt
			below standpt				below standpt
			above standpt				above standpt
			below standpt				below standpt

Prepared by: *[Signature]* **29.9.87** *Checked: [Signature] 4/11/87*
 Named on U.T.M. Grid *[Signature]*
 Checked *[Signature]*

