



STATION **HOWARD IS PILLAR TS 6522**

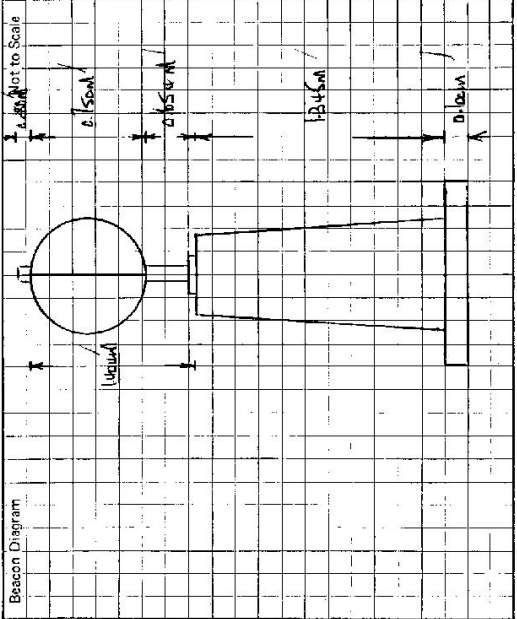
Owner's Name: **MR. TED RUBLEY**  
 Address: **BARBARA LN**  
**GARLAND (See access at 10.7 km)**  
 Phone: **38**

Current Occupant:  
 Address:  
 Phone:

**ACCESS**  
 Access Report of 2.1.6/1980 was found suitable/unsuitable,  
**FEATURE**  
 0-00 **LYNDHURST RD. TAKE MOUNT MIDWAULD RD TOWARDS GARLAND**  
 4-80 **RAILWAY CROSSING AT GARLAND**  
 7-20 **PASS "HILLTOP LANE" ON LHS.**  
 10-70 **DUNDEES HOUSE ON LEFT**  
 14-80 **END BITUMEN - TURN LEFT ONTO GRAVEL ROAD**  
 16-1 **WHITE MAILBOX "CRANFORD PARK"**  
 18-0 **GRID**  
 18-2 **TURN RIGHT ONTO DIRT TRACK (ABOUT 200M BEFORE GRID WITH SIGN "LAURENCE PARK")**  
**IRON GATE. CMA. LOCK OR KEY CAN BE OBTAINED FROM**  
**DUNN AT 10.70 km. FOLLOW TRACK**  
 18-7 **YARDS ON R/S END IN FENCE**  
 19-1 **TURN LEFT AT BLAZED TREE AND FOLLOW BLAZED**  
 19-2 **AND TRACK TO TRIG.**  
**HOWARD GS.**

Date	Record of Station

6. 2733-2 D. West Government Printer



This section to be completed by officer constructing pillar.

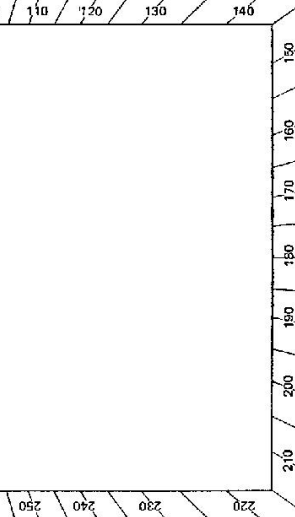
Original station mark found/~~not found~~.  
 Description of mark: **BRONZE TIGR RING**  
 Original beacon found/~~not found~~.  
 Description of beacon: **CAIRN** **4.77** m.  
 Height Top of Vanes to Top Mark: **4.77** m. above G.L.  
 Height of mark: **0.63** m. above rock/ceiling. below G.L.  
 Diameter of Vanes: **1.015** m. Height of Cairn: **1.256** m.  
 Original Beacon has/~~has not~~ been destroyed by me.

CENTRAL MAPPING AUTHORITY  
 GEODETIC SURVEY OF N.S.W.  
 GEODETIC STATION RECONNAISSANCE and MAINTENANCE REPORT

STATION: **HOWARD (PI)** No: **GS-22**  
 MAP SHEET SCALE 1:250 000 **BATHURST**  
 INSPECTED BY: **G FORD** DATE: **23-8-83**  
 AUTHORITY: **CMA** FIELD BOOK: **1939**

Description: *Note: Cross out word or words which do not apply*

1. Cleared by lanes bearing  $140^{\circ} - 150^{\circ} 173^{\circ}$   $199^{\circ} 266^{\circ} 285^{\circ} 310^{\circ} - 37^{\circ}$  from Trig. Mast  
 LANES AT  $71^{\circ}$  AND  $95^{\circ}$
2. Mast & Vanes have been painted white & black respectively.
3. The station/pillar was unpiled/not unpiled/constructed on ..... 19....., dimensions now being:  
 Description of mark: **SIS. PLAIN PLATE** should be explicit, e.g., S/Steel Pillar Plate, **Steel-plate; Brass-plate; Bolt; G.I. Pipe**  
 Height of mark: **1.340** m. above ~~rock~~/concrete; Mark is **1.420** m. <sup>above</sup>/<sub>below</sub> G.L.  
 Height of Top Vanes to Top **Mark**/Pillar plate **1.425** m. Diameter of Vanes (vertical) **0.750** m.  
 Height of Cairn.....m. Diameter of Cairn.....m. Name Plate found/~~not found~~/placed.  
 Length of Mast.....m. (approximate if not unpiled)
4. A.....set in conc./rock has been placed/found, bearing.....°M from Mast/Plug/Pillar
5. A.....set in conc./rock has been placed/found, bearing.....°M from Mast/Plug/Pillar
6. A.....set in conc./rock has been placed/found, bearing.....°M from Mast/Plug/Pillar
7. A.....set in conc./rock has been placed/found, bearing.....°M from Mast/Plug/Pillar
8. Action required:.....



STANDPOINT:			
Mark	Direction	Horiz. Distance	Height Difference
			above standpt.
			below
			above standpt.
			below
			above standpt.
			below
			above standpt.
			below
			above standpt.
			below
			above standpt.
			below
			above standpt.
			below

Prepared by: *[Signature]* Checked: *[Signature]* Noted on U.T.M. Card *[Signature]*

STATION **HOWARD (P) / TS 6522**

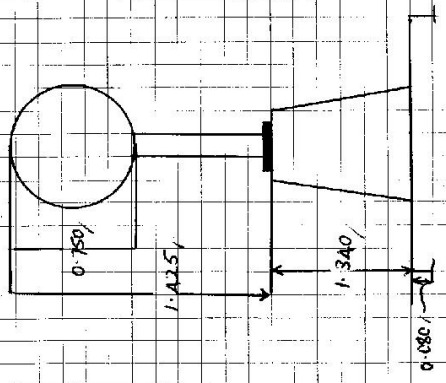
Owner's Name: .....  
 Address: .....  
 Phone: .....

Current Occupant: .....  
 Address: .....  
 Phone: .....

Access Report of 5/6/1988 was found suitable/~~unsuitable~~.  
**ACCESS**

Not to Scale

Beacon Diagram



This section to be completed by officer constructing pillar.

Original station mark found/not found.

Description of mark: .....

Original beacon found/not found.

Description of beacon: .....

Height Top of Vanes to Top Mark: .....m.

Height of mark: .....m. above rock/cont .....m. above G.L.  
 below .....m. below .....m.

Diameter of Vanes: .....m. Height of Cairn: .....m.

Original Beacon has/has not been destroyed by me.

Date: .....  
 Record of Station: .....