

CENTRAL MAPPING AUTHORITY
Department of Lands

Trigonometrical Survey of N.S.W.

RECONNAISSANCE and MAINTENANCE REPORT 4024

STATION Sandy T. 9. (P) 6519

This Trig. Station has been:-

Note: Cross out word or words which do not apply

1. ~~Completely cleared to permit 360° vision to surrounding Trig.~~
2. Cleared by lanes bearing ~~250°~~ to 30° from Trig. Mast
3. ~~Trig. Mast & Vanes have been painted white & black respectively.~~
4. The Trig. was unpiled/~~not unpiled~~, dimensions now being:

Description of mark Cartridge in conc. should be explicit, e.g. Steel plug, Brass plug, Bolt, G.I. Pipe
 Height of mark 0.0 m ^{above}/_{below} rock/concrete 0.0 m ^{above}/_{below} G.L.
 Height of Top Vanes to Top Mark 3.60 m. Diameter of Vanes (vertical) 0.2 m.
 Height of Cairn 1.1 m. Diameter of Cairn m.

5. A. Plaque set in conc/~~rock~~ has been placed 1.375 m. bearing°M from Trig. Mast
9/5744
6. A. set in conc./soil has been placed m. bearing°M from Trig. Mast
7. A. set in conc./soil has been placed m. bearing°M from Trig. Mast
8. A. set in conc/rock has been placed m. bearing°M from Trig. Mast
9. Connection Trig to 9/5744 1.375 m. bearing°M
10. Connection to m. bearing°M
11. Connection to m. bearing°M
12. Connection to m. bearing°M

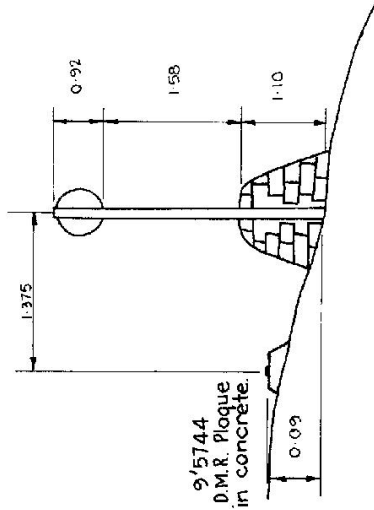
13. Diff. Ht. D.M.R. Plaque is 0.02 m. ^{above}/_{below} Trig
14. Diff. Ht. is m. ^{above}/_{below}
15. Diff. Ht. is m. ^{above}/_{below}
16. Diff. Ht. is m. ^{above}/_{below}

Prepared by: D. Shane Checked: Noted on U.T.M. Card

Co: Clive
 Map Sheet: Tenterfield
 Inspected by: D. Shane
 Authority: D.M.R.

No: 9339
 Date: 1-3-76
 Field Book:

Beacon Diagram Not to Scale



Date	Record of Station

Checked

STATION SANDY (P) 1 T.S. 6519

Owners Name... MRS. G. BAGUEEY

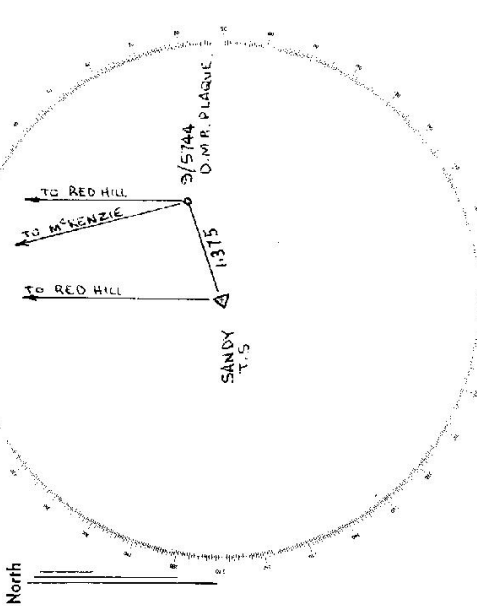
Address... SPERIBO RD.

Current Occupant.....

Address.....

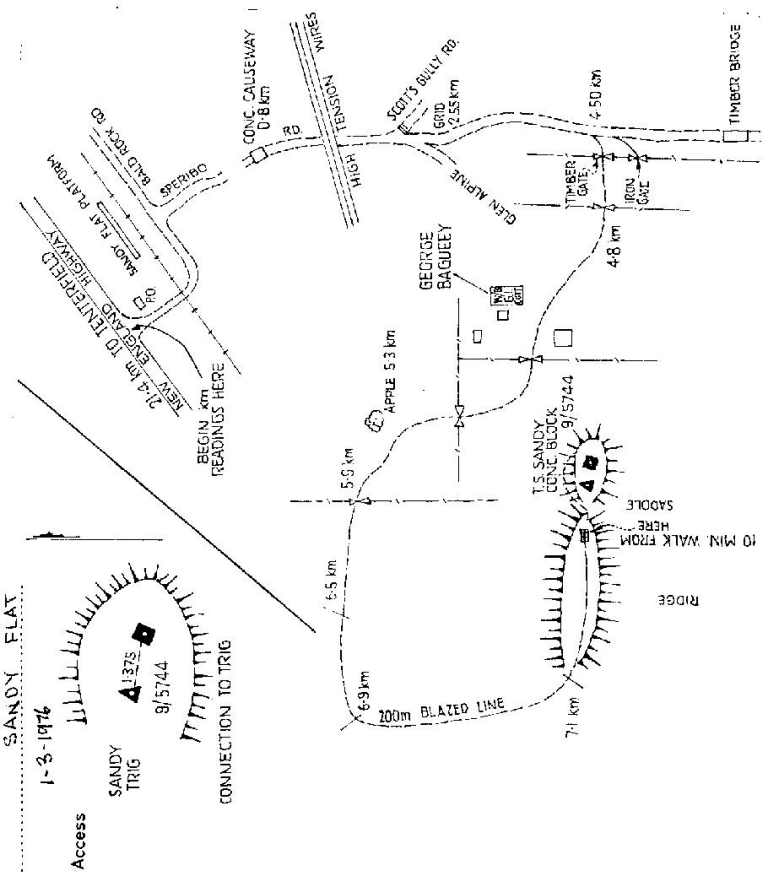
Not to Scale

Station Diagram



List of Observed Directions:-

Standpoint: TRIGS. PLUG		Standpoint: 9/5744 (DMR PLAQUE)	
Station	Direction	Station	Direction
RED HILL TRIGS.	0° 00' 00"	SANDY TRIGS.	0° 00' 00"
DMR 9/5744	11° 18' 00"	MCKENZIE TRIGS.	95° 31' 00"
		RED HILL TRIGS.	108° 48' 30"
Station	Direction	Station	Direction



CENTRAL MAPPING AUTHORITY

GEODETIC SURVEY OF N.S.W.

GEODETIC STATION RECONNAISSANCE and MAINTENANCE REPORT

STATION: SANDY No.: TS 6519

MAP SHEET SCALE 1:250 000

INSPECTED BY: GREG DICKSON

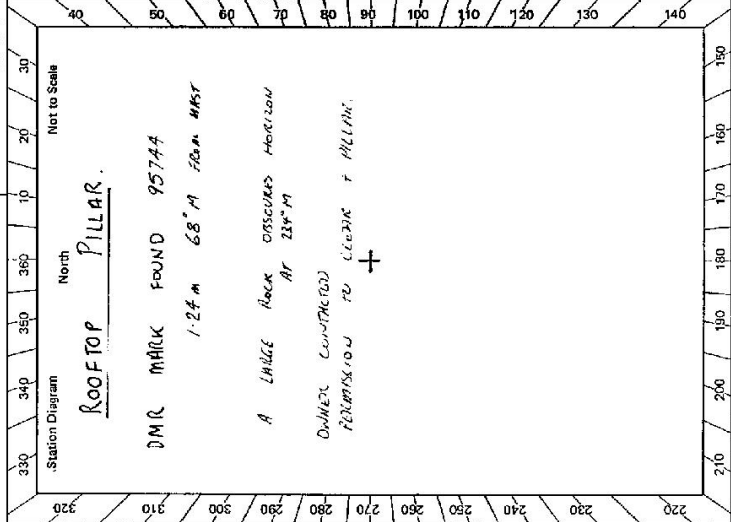
DATE: 24-11-79

AUTHORITY: C. M. A

FIELD BOOK: 1804

Description: *Note: Cross out word or words which do not apply*

1. Cleared by lanes bearing *K. DAY* *CLEARANCE* from Trig. Mast
2. Mast & Vanes have been painted white & black respectively. ✓
3. The station/pillar was unpilled/not unpilled/constructed on 19....., dimensions now being:
 - Description of mark..... should be explicit, e.g. S/Steel Pillar Plate, Steel plug, Brass plug, Bolt, G.I. Pipe
 - Height of mark.....m. ^{above} _{below} rock/concrete; Mark is.....m. ^{above} _{below} G.L.
 - Height of Top Vanes to Top Mark/Pillar plate.....m. Diameter of Vanes (vertical).....m.
 - Height of Cairn.....m. Diameter of Cairn.....m. Name Plate found/not found/placed.
 - Length of Mast.....m. (approximate if not unpilled)
4. A..... set in conc/rock has been placed/found, bearing.....°M from Mast/Plug/Pillar
5. A..... set in conc/rock has been placed/found, bearing.....°M from Mast/Plug/Pillar
6. A..... set in conc/rock has been placed/found, bearing.....°M from Mast/Plug/Pillar
7. A..... set in conc/rock has been placed/found, bearing.....°M from Mast/Plug/Pillar
8. Action required:.....



STANDPOINT:				
Mark	Direction	Horiz. Distance	Height Difference	Mark
			above standpt.	
			below standpt.	
			above standpt.	
			below standpt.	
			above standpt.	
			below standpt.	
			above standpt.	
			below standpt.	
			above standpt.	
			below standpt.	
			above standpt.	
			below standpt.	

Prepared by: *Greg Dickson*

Checked:

Noted on U.T.M. Card

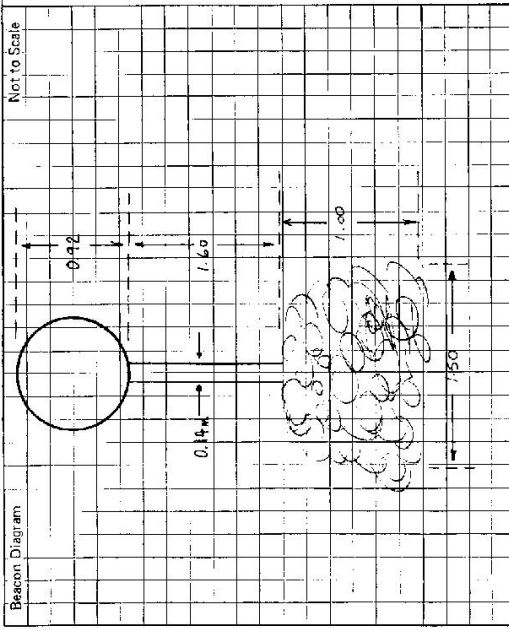
STATION SANDY TS 6519

Owner's Name: K. HARRISON
 Address: WEEKENDS
 Phone: SANDY FLAT 14

Current Occupant: OR
 Address: 240 RUMBLE ST
 Phone: INTERCOM

ACCESS 24-11-19 OK TO PILLAR + CLEAR

Access Report of 1.3.18 was found suitable/unsuitable.
 REMARKS:
 0.0 SANDY FLAT RD TRAVEL TOWARDS AT SHIRAZ.
 0.1 LEAVE CROSSING & TURN LEFT
 0.2 TAKE RIGHT FORK
 2.55 PASS SCOTTS GULLY TO ON LEFT
 3.7 ROAD ON RIGHT
 4.5 TURN RIGHT AND TAKE RIGHT HAND GATE. C.M.A LOCK PLACED.
 4.7 WOODEN GATE (NEAR HOUSE)
 4.85 " " AFTER SANDY.
 4.95 " "
 5.0 LEFT FORK
 5.2 RIGHT " "
 5.35 WIRE GATE
 5.8 WOODEN GATE
 " " " "
 6.5 NEW FENCE
 6.85 TURN RIGHT
 7.10 TURN LEFT AT MAZE
 7.4 STOP VEHICLE 5 MINS WALK TO Δ
 NO LOAD.



This section to be completed by officer constructing pillar.

Original station mark found/not found.

Description of mark:

Original beacon found/not found.

Description of beacon:

Height Top of Vanes to Top Mark.....m.

Height of mark.....m. above rock/conc.....m. below G.L.

Diameter of Vanesm. Height of Callmm.

Original Beacon has/has not been destroyed by me.

Date	Record of Station

CENTRAL MAPPING AUTHORITY

GEODETIC SURVEY OF N.S.W.
 GEODETIC STATION RECONNAISSANCE and MAINTENANCE REPORT

Description:
 1. Cleared by lanes bearing 360° M. Note: Cross out word or words which do not apply
 from Trig. Mast

2. Mast & Vanes have been painted white & black respectively.

3. The station/pillar was ~~replaced~~ ~~not replaced~~ / constructed on 2.7 m \times 4 m \times 19.0 m, dimensions now being:

Description of mark: ~~S/S Pillar~~ ~~Plate~~ could be explicit, e.g., S/Steel Pillar Plate, Steel plug, Brass plug, Bolt, G.I. Pipe

Height of mark: 1.328 m. ^{above} ~~below~~ ~~rock~~/concrete; Mark is 1.538 m. ^{above} ~~below~~ G.L.

Height of Top Vanes to Top Mark/Pillar plate 1.375 m. Diameter of Vanes (vertical) 0.750 m.

Height of Cairn 0 m. Diameter of Cairn 0 m. Name Plate ~~found~~/not ~~found~~/placed.

Length of Mast 0 m. (approximate if not unplied)

4. A. ~~CARRIDGE CASE~~ set in conc/~~rock~~ has been ~~placed~~/found, bearing 208° M from Mast/~~Plug~~/Pillar

5. A. ~~D.M.R. SURVEY MARK~~ set in conc/~~rock~~ has been ~~placed~~/found, bearing 177° M from Mast/~~Plug~~/Pillar

6. A. ~~095744~~ set in conc/~~rock~~ has been placed/found, bearing 0° M from Mast/~~Plug~~/Pillar

7. A. ~~095744~~ set in conc/~~rock~~ has been placed/found, bearing 0° M from Mast/~~Plug~~/Pillar

8. Action required: ~~None~~

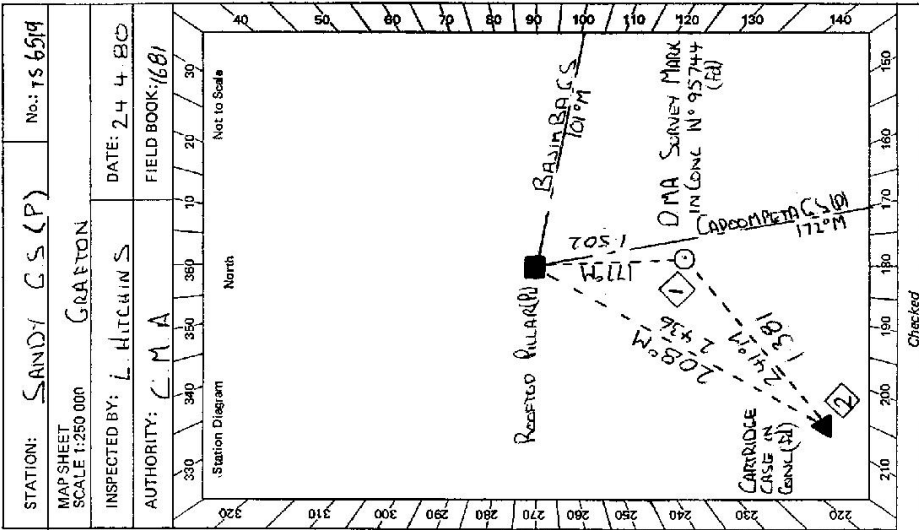
STANDPOINT: PILLAR PLATE			STANDPOINT: CARRIDGE CASE				
Mark	Direction	Horiz. Distance	Height Difference	Mark	Direction	Horiz. Distance	Height Difference
CARRIDGE CASE	0 00 00	1502	1350	CARRIDGE CASE	0 00 00	0 00 00	above standpt.
D.M.R. SURVEY MARK	2 53 55	2436	1446	PILLAR PLATE	213 43 10	2437	above standpt.
CARRIDGE CASE	33 43 30	2436	1446	D.M.R. SURVEY MARK	247 36 45	1331	above standpt.
BALIMBA GS	288 41 20			BALIMBA GS	288 40 40		below standpt.
							below standpt.
							below standpt.
							below standpt.
							below standpt.

Prepared by: *[Signature]*

Checked: *[Signature]*

Noted on U.T.M. Card

SI 2733-1



STATION: SANDY GS (P) No.: TS 6519

MAP SHEET SCALE 1:250 000 GRANTON

INSPECTED BY: L. HITCHINS DATE: 24 4 20

AUTHORITY: CMA FIELD BOOK: 681

STATION **SANDY GS (P) TS 6519**

Owner's Name: **K. HARRISON**
 Address: **240 BALMORAL ST. TENTERFIELD**
 Phone: **(060) 241 1119**

Current Occupant: **K. HARRISON**
 Address: **DEYANPARI (MURKENS)**
 Phone: **SANDY FLAT 14**

ACCESS

Access Report of **24/11/1979** was found suitable for **access**.

0 0 SANDY FLAT PC TRAVEL TOWARDS MT SPURBO
 0 1 LEVEL CROSSING + TURN LEFT
 0 2 TAKE RIGHT FORK
 2 55 PASS SCOTT'S GULLY RD ON LEFT
 2 7 PASS ROAD ON RIGHT
 4 5 TURN RIGHT + TAKE R.H GATE C.M.A. LOCK PLACED
 4 7 WOODEN GATE (NEAR HOUSE)
 4 85 WOODEN GATE AFTER SUGGS
 4 95 WOODEN GATE
 5 0 LEFT FORK
 5 2 RIGHT FORK
 5 35 WIRE GATE
 5 8 WOODEN GATE
 5 95 WOODEN GATE
 6 5 NEW FENCE
 6 85 TURN LEFT AT BLAZE
 7 1 STOP VEHICLE 5 MIN WALK TO G.S (RP)
 7 4

Beacon Diagram

This section to be completed by officer constructing pillar.

Original station mark found ~~not found~~.

Description of mark: **CARRIAGE CASE IN CONCRETE**

Original beacon found ~~not found~~.

Description of beacon: **CAIRN POLE + DISK**

Height Top of Vanes to Top Mark: **3.240** m.

Height of mark: **0.5** m. above ~~below~~ **conc. at** ~~at~~ **above G.L.**

Diameter of Vanes: **0.210** m. Height of Cairn: **0.750** m.

Original Beacon has ~~not~~ been destroyed by me.

Date

Record of Station