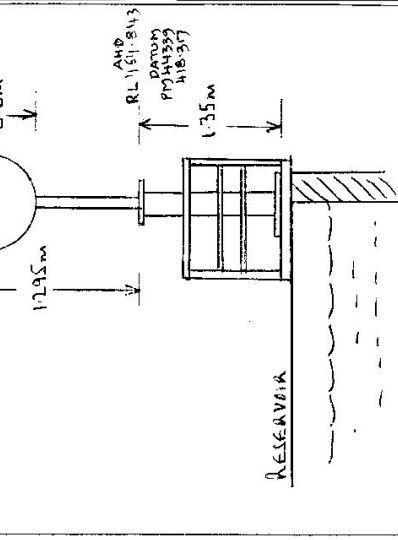


TS 10216
 STATION ASHFORD
 Co: ARRAWATA Ph: M^c DONALD
 Map Sheet: BONGHAW 1:50,000 No: 9139 T₄ IV
 Inspected by: H. J. GREEN Date: 29.3.79
 Authority: INTEGRATION SURVEYS Field Book: MBP 1296

Beacon Diagram
 Not to Scale



Date	Record of Station
16.3.79	KOIST TOU BEACON ON STEEL PLATFORM

Department of Lands
 Integral Survey of N.S.W.
 RECONNAISSANCE and MAINTENANCE REPORT

This Trig. Station has been:-
 Note: Cross out word or words which do not apply
 1. Completely cleared to permit 360° vision to surrounding Trigs. ✓
 2. Cleared by lanes bearing..... from Trig. Mast
 3. Trig. Mast & Vanes have been painted white & black respectively. ✓
 4. The Trig. was ~~unpainted~~ ~~not unpainted~~ ~~dimensions new being~~.....

- Description of mark..... should be explicit, e.g. Steel plug, Brass plug, Bolt, Concrete Pillar
 Height of mark..... 1.35 m above ~~top of concrete~~ ^{STEEL PLATFORM} m above/below G.L.
 Height of Top Vanes to Top Mast/Top pillar plate..... 1.295 m Diameter of Vanes (vertical)..... 0.6 m.
 Height of Cairn..... m. Diameter of Cairn..... m.
 Length of Mast..... 1.295 m. (~~approximate if not supplied~~)
 5. A..... set in conc/rock has been placed/fd..... m. bearing.....°M from Trig. Mast/pillar
 6. A..... set in conc/soil has been placed/fd..... m. bearing.....°M from Trig. Mast/pillar
 7. A..... set in conc/soil has been placed/fd..... m. bearing.....°M from Trig. Mast/pillar
 8. A..... set in conc/rock has been placed/fd..... m. bearing.....°M from Trig. Mast/pillar
 9. Connection..... to..... m. bearing.....°M
 10. Connection..... to..... m. bearing.....°M
 11. Connection..... to..... m. bearing.....°M
 12. Connection..... to..... m. bearing.....°M
 13. Diff. Ht. is..... m. above/below
 14. Diff. Ht. is..... m. above/below
 15. Diff. Ht. is..... m. above/below
 16. Diff. Ht. is..... m. above/below

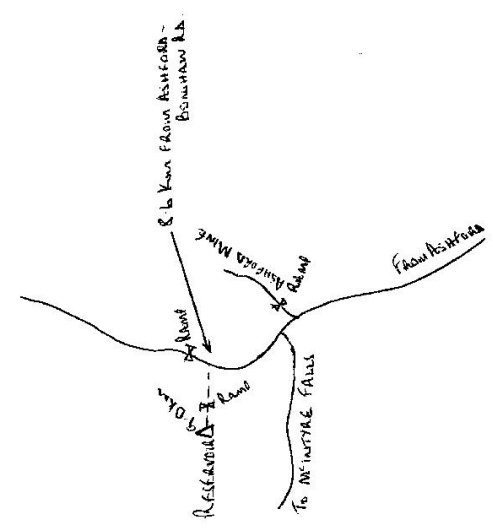
Prepared by: *Ken Bayliss* Checked: *P. Collins*

STATION ASHFORD POWERSHOUSE 6419

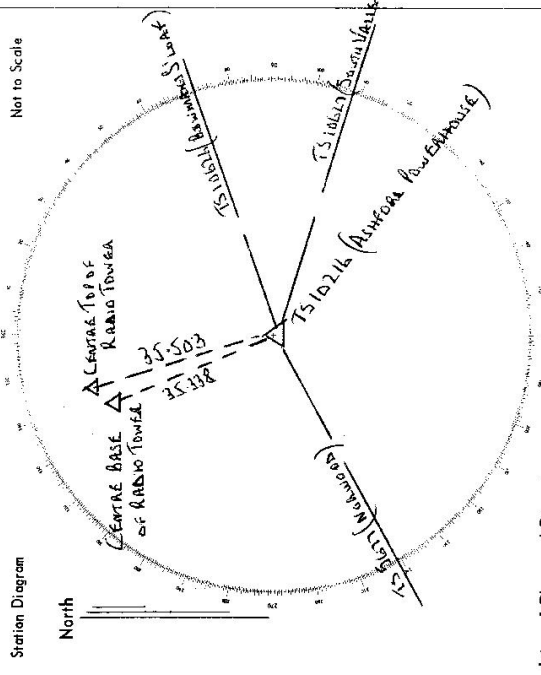
Owners Name: NINGBO WEST COUNTY COUNCIL Current Occupant: NINGBO WEST COUNTY COUNCIL

Address: INVIGARRE

29-5-79
 ACCESS TAKE BONSHAW RD. FROM ASHFORD TO ASHFORD WIND TURBINE TURN-OFF (0.2 KM)
 TAKE ROAD TO MINE FOLLOWING PAIT TURN-OFF TO MINE AND BONSHAW RD
 TO TAKE ON LEFT AT 8.6 KM. TAKE TRACK UP HILL TO RESERVING AND
 T.S. AT 9.0 KM.



Not to Scale



List of Observed Directions:-

Standpoint: Ashford Powershouse		Standpoint:	
Station	Direction	Station	Direction
ASHFORD POWERSHOUSE (S)	21 23 14		
ASHFORD POWERSHOUSE (N)	240 22 17		
SOUTH VALLEY (S)	108 23 09		
SOUTH VALLEY (N)	340 41 57		
CENTRE TOP OF TOWER	341 02 41		
Station	Direction	Station	Direction
Station	Direction	Station	Direction

CENTRAL MAPPING AUTHORITY

GEODETTIC SURVEY OF N.S.W.

GEODETTIC STATION RECONNAISSANCE and MAINTENANCE REPORT

Description:

1. Cleared by lanes bearing $70^{\circ} 13'$, $137^{\circ} 15'$, $158^{\circ} 16'$, $185^{\circ} 18'$, $185^{\circ} 20'$, $185^{\circ} 22'$ from Trig. Mast
Note: Cross out word or words which do not apply
2. Mast & Vanes have been painted white & black respectively.
3. The station/pillar was unpiled/not unpiled/constructed on..... 19....., dimensions now being:

Description of mark ROOF TOP PILLAR should be explicit, e.g., S/Steel Pillar-Plate, Steel Plug, Brass Plug, Bolt, G.I. Pipe

Height of mark..... 3.55.....m. above STEEL PLATE / below rock/concrete; Mark is..... above below G.L.

Height of Top Vanes to Top Mark/Pillar plate..... 1.425.....m. Diameter of Vanes (vertical)..... 0.750.....m.

Height of Cairn.....m. Diameter of Cairn.....m. Name Plate found/not found/placed.

Length of Mast.....m. (approximate if not unpiled)

4. A..... COPPER NAIL..... set in conc/rock has been placed/found, bearing..... $125^{\circ} 0'$ M from Mast/Plug/Pillar

5. A..... S/S P.I.N...... set in conc/rock has been placed/found, bearing..... $40^{\circ} 0'$ M from Mast/Plug/Pillar

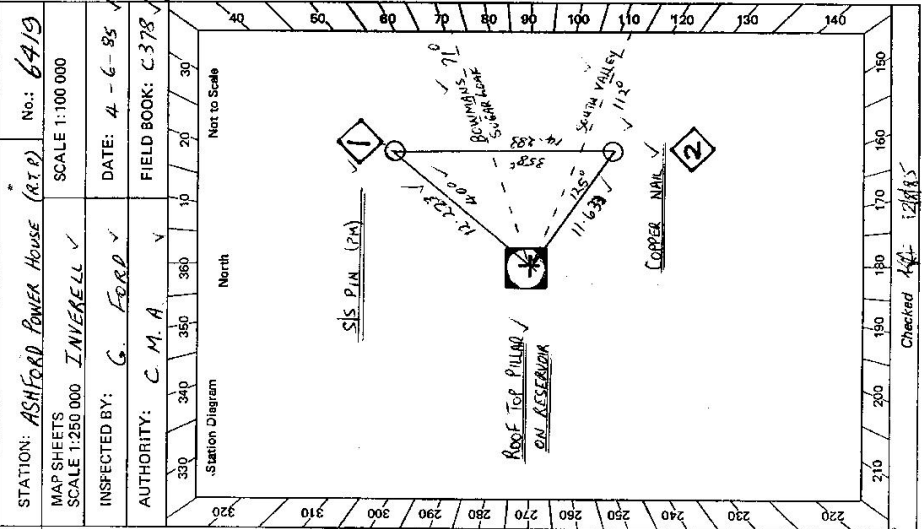
6. A..... set in conc/rock has been placed/found, bearing..... $0^{\circ} 0'$ M from Mast/Plug/Pillar

7. A..... set in conc/rock has been placed/found, bearing..... $0^{\circ} 0'$ M from Mast/Plug/Pillar

8. Action required:.....

STANDPOINT: <u>ROOF TOP PILLAR</u>			STANDPOINT: <u>COPPER NAIL</u>				
Mark	Direction	Horiz. Distance	Height Difference	Mark	Direction	Horiz. Distance	Height Difference
<u>BONNINGS SIGNALPOST (P)</u>	<u>0 00 00</u>	<u>0 00 00</u>	above standpt.	<u>BONNINGS SIGNALPOST (P)</u>	<u>0 00 00</u>	<u>0 00 00</u>	above standpt.
<u>SOUTH VALLEY (P)</u>	<u>36 59 50</u>	<u>37 01 30</u>	above standpt.	<u>SOUTH VALLEY (P)</u>	<u>37 01 30</u>	<u>37 01 30</u>	above standpt.
<u>COPPER NAIL</u>	<u>47 13 40</u>	<u>11 631</u>	above standpt.	<u>ROOF TOP PILLAR</u>	<u>227 15 30</u>	<u>11 636</u>	below standpt.
<u>S/S P.I.N.</u>	<u>333 43 30</u>	<u>22919 203</u>	below standpt.	<u>S/S P.I.N.</u>	<u>282 26 00</u>	<u>14 283</u>	above standpt.
			below standpt.				below standpt.
			above standpt.				above standpt.
			below standpt.				below standpt.
			above standpt.				above standpt.
			below standpt.				below standpt.

Prepared by ABD 17/6/85 Checked: MI 24/11 Noted on U.T.M. Card 147



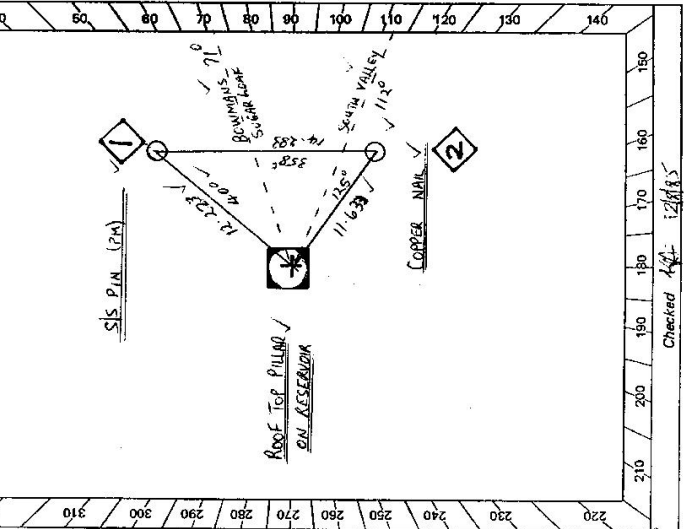
STATION: ASHFORD POWER HOUSE (R.T.P) No.: 6419

MAP SHEETS SCALE 1:250 000 INVERELL ✓

INSPECTED BY: G. FORD ✓ DATE: 4-6-85

AUTHORITY: C.M.A. ✓ FIELD BOOK: C.378

Station Diagram North



Checked 147 12/8/85

No: 6419
GS 24

2733-2 D. West, Government Printer

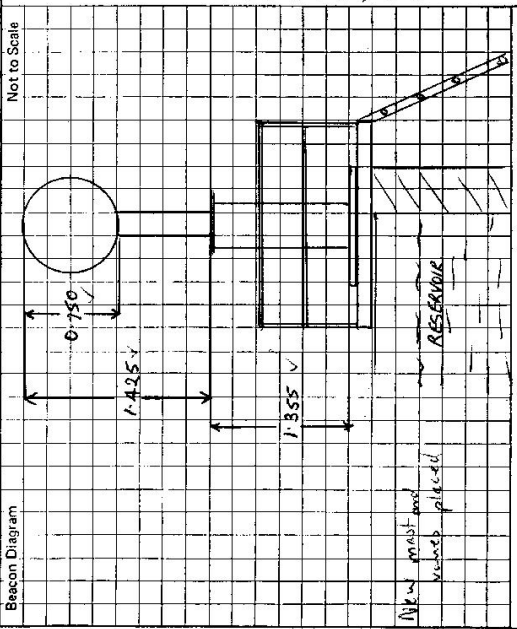
STATION ASHFORD POWER HOUSE (ROD TO PILLAR)

Owner's Name: NORTH WEST C/C
 Address: INVERELL
 Phone:

Current Occupant: M/M. COUNTY COUNCIL
 Address:

ACCESS

Access Report of 1.6.19 was found suitable/unsuitable.
 P.C. ASHFORD HEAD NORTH UP MAIN ST.
 ✓ 0.15 TURN LEFT INTO MARTIN ST.
 ✓ 0.38 TURN RIGHT INTO INVERELL ST AND HEAD TOWARDS BUSHAW
 ✓ 3.57 STRAIGHT AHEAD TOWARDS ASHROD MINE & POWER HOUSE
 ✓ 7.67 GRID
 ✓ 11.58 PASS ROAD TO RIGHT SIGN "STRAITHAIRN" & ASHROD POWER HOUSE
 ✓ 11.67 PASS ROAD TO LEFT TO MACINTYRE FALLS 19
 ✓ 12.24 TURN LEFT UP TRACK
 ✓ 12.45 GRID
 ✓ 12.59 RESERVOIR & ASHROD POWER HOUSE G.S.



This section to be completed by officer constructing pillar.

Original station mark found/not found.

Description of mark:

Original beacon found/not found.

Description of beacon:

Height Top of Vanes to Top Markm.

Height of markm. above below G.L.

Diameter of Vanesm.

Height of Cairnm.

Original Beacon has/has not been destroyed by me.

Date	Record of Station