

GEODETTIC SURVEY OF N.S.W.

CENTRAL MAPPING AUTHORITY

GEODETTIC STATION RECONNAISSANCE and MAINTENANCE REPORT

- Description: *Note: Cross out word or words which do not apply*
- Cleared by vanes bearing..... from Trig. Mast
  - Mast & Vanes have been painted white & black respectively.
  - The station/pillar was unpiled/not unpiled/constructed on..... 19....., dimensions now being:
    - Description of mark..... should be explicit, e.g., S/Steel Pillar Plate, Steel plug, Brass plug, Bolt, G.I. Pipe
    - Height of mark..... m. <sup>above</sup>/<sub>below</sub> rock/concrete; Mark is..... m. <sup>above</sup>/<sub>below</sub> G.L.
    - Height of Top Vanes to Top Mark/Pillar plate..... m. Diameter of Vanes (vertical)..... m.
    - Height of Cairn..... m. Diameter of Cairn..... m. Name Plate found/not found/placed.
    - Length of Mast..... m. (approximate if not unpiled)
  - A..... set in conc/rock has been placed/found, bearing.....° M from Mast/Plug/Pillar
  - A..... set in conc/rock has been placed/found, bearing.....° M from Mast/Plug/Pillar
  - A..... set in conc/rock has been placed/found, bearing.....° M from Mast/Plug/Pillar
  - A..... set in conc/rock has been placed/found, bearing.....° M from Mast/Plug/Pillar
  - Action required:.....

STANDPOINT:

Mark	Direction	Horiz. Distance	Height Difference	Mark	Direction	Horiz. Distance	Height Difference
			above standpt.				above standpt.
			below standpt.				below standpt.
			above standpt.				above standpt.
			below standpt.				below standpt.
			above standpt.				above standpt.
			below standpt.				below standpt.
			above standpt.				above standpt.
			below standpt.				below standpt.
			above standpt.				above standpt.
			below standpt.				below standpt.

Prepared by: ..... Checked: ..... Noted on U.T.M. Card

SR 2733-1

STATION: ANICHAN **GILLAR** No.: 623

MAP SHEET SCALE 1:250 000 SYDNEY

INSPECTED BY: W. M'GILLIVRAY DATE: 23/12/80

AUTHORITY: CMA FIELD BOOK:

Checked

2733-2 D. West, Government Printer	STATION <b>ANCHAU (P) 623</b>	Owner's Name: ..... Address: ..... Phone: .....  Current Occupant: ..... Address: ..... Phone: .....  ACCESS Access Report of 23/12/1980, was found suitable/unsuitable.	<table border="1" style="width: 100%; border-collapse: collapse;"> <tr> <td style="width: 10%; text-align: center;">Not to Scale</td> <td style="width: 90%; height: 200px;"> </td> </tr> </table>	Not to Scale	
Not to Scale					
This section to be completed by officer constructing pillar. Original station mark found/not found. Description of mark: ..... Original beacon found/not found. Description of beacon: ..... Height Top of Vanes to Top Mark .....m. Height of mark .....m.      above G.L.      below Diameter of Vanes .....m.      Height of Cairn .....m. Original Beacon has/has not been destroyed by me.		Date  Record of Station  			

CENTRAL MAPPING AUTHORITY GEODETTIC SURVEY OF NSLM

**GEODETTIC STATION RECONNAISSANCE and MAINTENANCE REPORT**

STATION: **ANCHAU PILLAR** No.: **623**  
 MAP SHEET SCALE: **1:250 000**  
 INSPECTED BY: **PENRITH** DATE: **26-10-89**  
 AUTHORITY: **CMA** FIELD BOOK: **W.M. GULLIBAY**

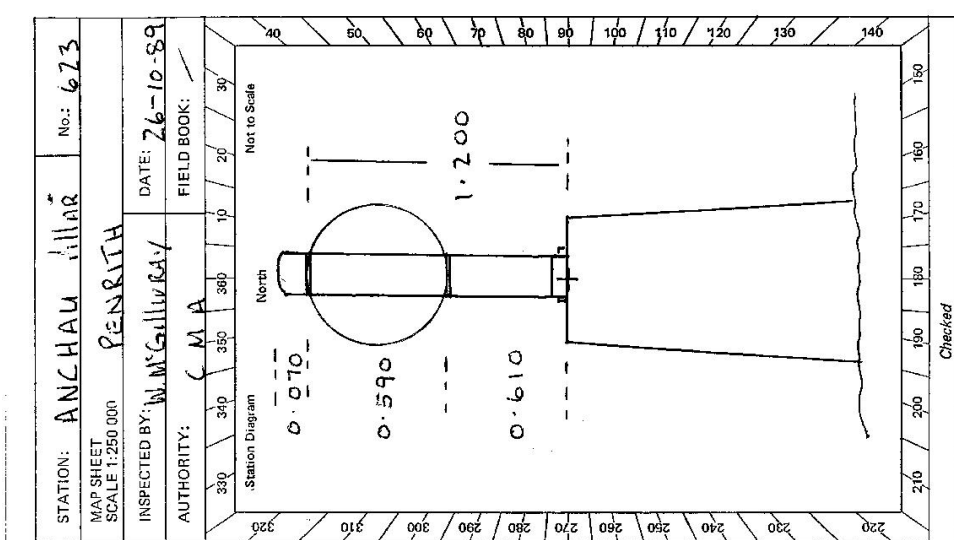
Description: **from Trig. Mast**  
 Note: *Cross out word or words which do not apply*

- Cleared by Janes bearing..... from Trig. Mast
- Mast & Vanes have been painted white & black respectively.
- The station/pillar was unpiled/hot unpiled/constructed on..... 19....., dimensions now being:  
 Description of mark..... should be explicit, e.g., S/Steel Pillar Plate, Steel plug, Brass plug, Bolt, G.I. Pipe  
 Height of mark.....m. <sup>above</sup> <sub>below</sub> rock/concrete: Mark is.....m. <sup>above</sup> <sub>below</sub> G.L.  
 Height of Top Vanes to Top Mark/Pillar plate .....m. Diameter of Vanes (vertical)  $\phi$ : **4.0**m.  
 Height of Cairn.....m. Diameter of Cairn.....m. Name Plate found/hot found/placed.  
 Length of Mast.....m. (approximate if not unpiled)
- A..... set in conc/rock has been placed/found, bearing.....°M from Mast/Plug/Pillar
- A..... set in conc/rock has been placed/found, bearing.....°M from Mast/Plug/Pillar
- A..... set in conc/rock has been placed/found, bearing.....°M from Mast/Plug/Pillar
- A..... set in conc/rock has been placed/found, bearing.....°M from Mast/Plug/Pillar
- Action required: **REPLACE MAST & VANES ONLY**

STANDPOINT:

Mark	Direction	Horiz. Distance	Height Difference	Mark	Direction	Horiz. Distance	Height Difference
			above standpt.				above standpt.
			below				below
			above standpt.				above standpt.
			below				below
			above standpt.				above standpt.
			below				below
			above standpt.				above standpt.
			below				below
			above standpt.				above standpt.
			below				below

Prepared by: **Checked: Noted on U.T.M. Card**







CENTRAL MAPPING AUTHORITY

GEODETIC SURVEY OF N.S.W.

GEODETIC STATION RECONNAISSANCE and MAINTENANCE REPORT

STATION: ANCHAU GALLAR No: 623

Description: *Note: Cross out word or words which do not apply*

Cleared by Janes bearing..... from Trig Mast

Mast & Vanes have been painted white & black respectively.

The station/pillar was unpllied/not unpllied/constructed on..... 19....., dimensions now being:

Description of mark..... should be explicit, e.g., S/Steel Pillar Plate, Steel plug, Brass plug, Bolt, G.L. Pipe

Height of mark..... m. above/below rock/concrete; Mark is..... m. above/below G.L.

Height of Top Vanes to Top Mark/Pillar plate... 1.70 m. Diameter of Vanes (vertical)... 6.0 m.

Height of Cairn..... m. Diameter of Cairn..... m. Name Plate found/not found/placed.

Length of Mast..... m. (approximate if not unpllied)

A..... set in conc/rock has been placed/found, bearing..... °M from Mast/Plug/Pillar

A..... set in conc/rock has been placed/found, bearing..... °M from Mast/Plug/Pillar

A..... set in conc/rock has been placed/found, bearing..... °M from Mast/Plug/Pillar

A..... set in conc/rock has been placed/found, bearing..... °M from Mast/Plug/Pillar

Action required: REPLACE MAST & VANES ONLY

STANDPOINT:

STANDPOINT:

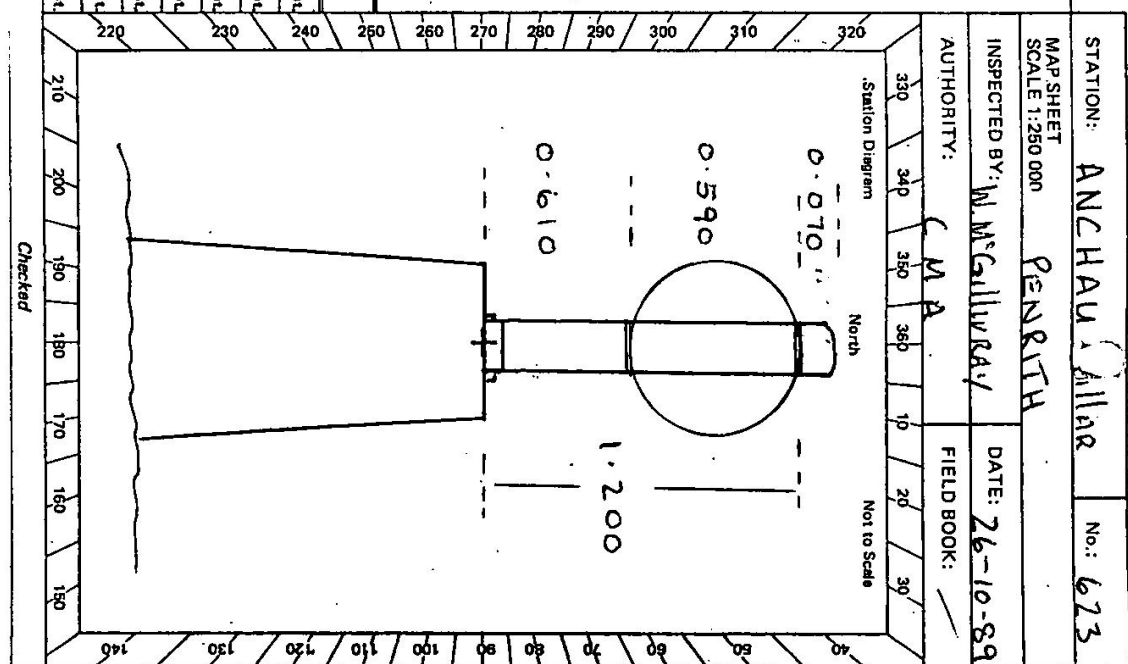
Mark	Direction	Horiz. Distance	Height Difference	Mark	Direction	Horiz. Distance	Height Difference
			above standpt				above standpt
			below				below standpt
			above standpt				above standpt
			below				below standpt
			above standpt				above standpt
			below				below standpt
			above standpt				above standpt
			below				below standpt
			above standpt				above standpt
			below				below standpt
			above standpt				above standpt
			below				below standpt

Prepared by:

Checked:

Noted on U.T.M. Card

Checked



MAP SHEET SCALE 1:250 000

INSPECTED BY: W. McGILLIVRAY DATE: 26-10-89

AUTHORITY: CMAA FIELD BOOK: ✓



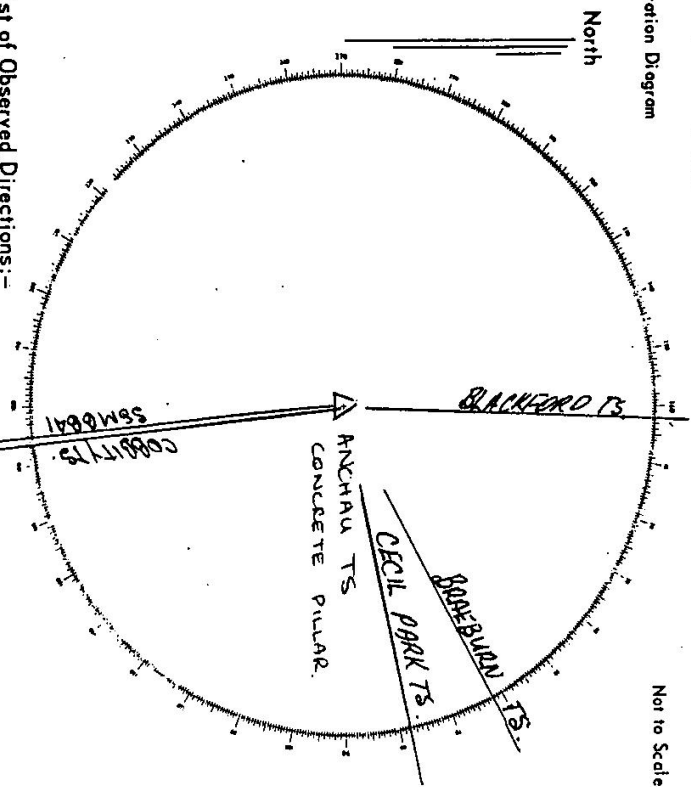




STATION 623 [ ANCHAUGHTS.

Station Diagram

Not to Scale



List of Observed Directions:-

Station	Direction	Station	Direction
58M6841	173 00 00		
TS 1512 COBBITT	173 40 48.2		
TS 1443 CECIL PARK	67 41 58.6		
TS 10597 BRADBURN	43 46 37.6		
TS 4159 BLACKFORD	2° 33 22.0		

Station	Direction	Station	Direction

Owners Name.....

Current Occupant.....

Address.....

Address.....

Access 26-9-78

FROM LUDDENHAM TAKE NORTHERN RD SOUTH TO ENTRANCE FOR "VICAR'S WINERY" (ON RIGHT) TAKE GATE ON LEFT 30M Further SOUTH. TRIG IS VISIBLE, FOLLOW TRACK FROM GATE TO TS.

