

CENTRAL MAPPING AUTHORITY
Department of Lands

Trigonometrical Survey of N.S.W.

RECONNAISSANCE and MAINTENANCE REPORT

This Trig. Station has been:-

Note: Cross out word or words which do not apply

1. Completely cleared to permit 360° vision to surrounding Trigs.
2. Cleared by lances bearing 165° to 195° N. from Trig. Mast Pillar.
3. Trig. Mast & Vanes have been painted white & black respectively.
4. The Trig. was unpiled/~~not~~unpiled, dimensions now being: Original Station Mark ~~found~~ / not found

Description of mark..... CONCRETE PILLAR..... should be explicit, e.g. Steel plug, Brass plug, Belt, G.I. Pipe
 Height of mark..... 1.380 m..... above below..... rock/concrete..... m..... above below..... G.L.
 Height of Top Vanes to Top Mark..... 1.330 m..... Diameter of Vanes (vertical)..... 0.600 m.
 Height of Cairn..... m..... Diameter of Cairn..... m.

5. A G.I. Pipe... set in conc/rock has been placed..... 4.514 m, bearing..... 143.....°M from Trig. Mast Pillar
6. A BRASS A... set in conc/soil has been placed..... 5.771 m, bearing..... 172.....°M from Trig. Mast Pillar
7. A..... set in conc/soil has been placed..... m, bearing.....°M from Trig. Mast
8. A..... set in conc/rock has been placed..... m, bearing.....°M from Trig. Mast

9. Connection G.I. Pipe to BRASS A : 2.183 m, bearing..... 76.....°M
10. Connection PILLAR to G.I. P.P. 1 : 15.485 m, bearing..... 228.....°M
11. Connection PILLAR to G.I. P.P. 2 : 19.060 m, bearing..... 108.....°M

12. Connection..... to..... m, bearing.....°M
13. Diff. Ht. PILLAR is 0.102 m, above below..... G.I. PIPE
14. Diff. Ht. PILLAR is 1.046 m, above below..... BRASS A
15. Diff. Ht. PILLAR is 4.775 m, above below..... G.I. P.P. 1
16. Diff. Ht. PILLAR is 4.741 m, above below..... G.I. P.P. 2

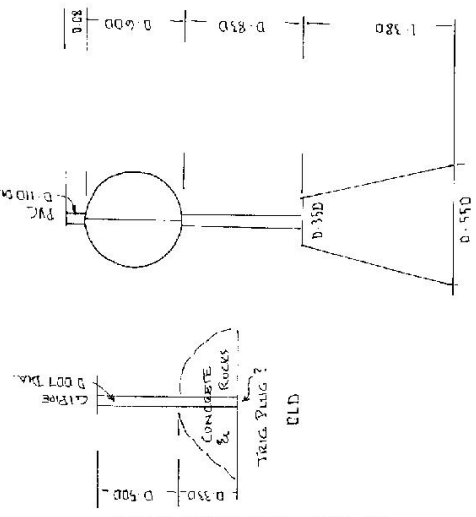
Prepared by: *[Signature]* Checked: *[Signature]*

Noted on U.T.M. Card

TS 6045

STATION (775) POMINGALARA NA PILLAR.
 Co: MITCHELL PH: URANGUINITY
 Map Sheet: WAGGA WAGGA No: 8327
 Inspected by: J. J. EGGLSTON Date: 5/10/77
 Authority: WAGGA LANDS DEPT. Field Book: 77/72

Beacon Diagram



Date	Record of Station
	0.550 NEW

Checked

STATION POMINGALARNA (P) TS 6045

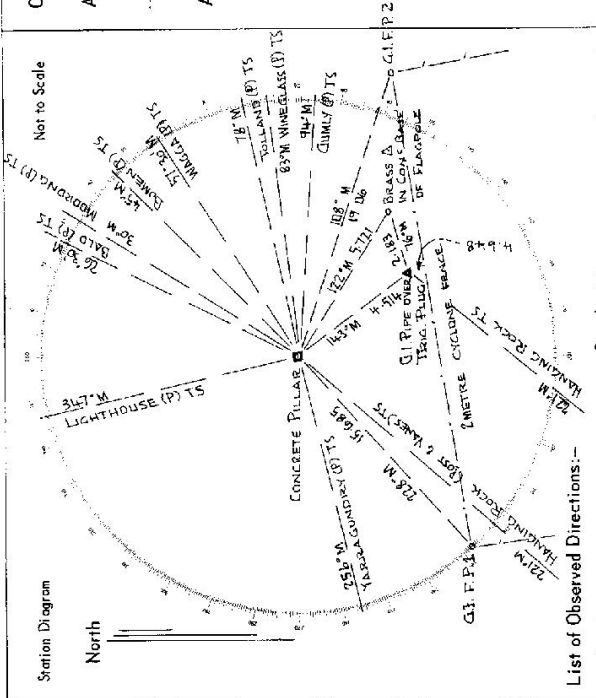
Owners Name: KAPOOKA MILITARY ESTABLISHMENT Current Occupant:

Address:

Access 5-10-1977

- 0.00 Km KAPOOKA TURN-OFF ON OLYMPIC WAY, ONTO KAPOOKA DRIVE
- 1.32 GUARD HOUSE
- 2.30 H. Q. (GET KEY)
- 3.10 TURN RIGHT ONTO GRAVEL ROAD, OFF KAPOOKA DRIVE
- 3.70 LOCKED GATE INTO DANGER AREA
- 5.00 TRIG.

NOTE: TRIG. CANNOT BE OCCUPIED WHILE RANGE IS IN USE.



List of Observed Directions:-

Standpoint: CONCRETE PILLAR		Standpoint: TRIG. PLUG (G.I.P.P2)	
Station	Direction	Station	Direction
HANGING ROCK TS	0° 00' 00"	HANGING ROCK TS	0° 00' 00"
G.I.P.P.	7° 14' 19"	G.I.P.P. POST	75° 36' 30"
MUDDONG (P) TS	110° 56' 40"	CONCRETE PILLAR	102° 08' 10"
S.I.F.P.	241° 31' 20"	BRASS A	244° 32' 40"
BRASS A	267° 25' 40"	G.I.P.P. POST	238° 00' 50"
TRIG PLUG (G.I.P.P1)	782° 10' 10"		
Station	Direction	Station	Direction

GEODETTIC SURVEY OF N.S.W.

CENTRAL MAPPING AUTHORITY

GEODETTIC STATION RECONNAISSANCE and MAINTENANCE REPORT

Description:

1. Cleared by lanes bearing..... Note: Cross out word or words which do not apply
 2. Mast & Vanes have been painted white & black respectively.
 3. The station/pillar was unpiled/not unpiled/constructed on.....19....., dimensions now being:
 Description of mark..... should be explicit, e.g., S/Steel Pillar Plate, Steel plug, Brass plug, Bolt, G.I. Pipe
 Height of mark.....m. above rock/concrete; Mark is.....m. above G.L.
 Height of Top Vanes to Top Mark/Pillar plate.....m. Diameter of Vanes (vertical).....m.
 Height of Cairn.....m. Diameter of Cairn.....m. Name Plate found/not found/placed.
 Length of Mast.....m. (approximate if not unpiled)

- 4. A.....set in conc/rock has been placed/found, bearing.....° M from Mast/Plug/Pillar
- 5. A.....set in conc/rock has been placed/found, bearing.....° M from Mast/Plug/Pillar
- 6. A.....set in conc/rock has been placed/found, bearing.....° M from Mast/Plug/Pillar
- 7. A.....set in conc/rock has been placed/found, bearing.....° M from Mast/Plug/Pillar
- 8. Action required:.....

STANDPOINT:

Mark	Direction	Horiz. Distance	Height Difference	Mark	Direction	Horiz. Distance	Height Difference
			above standpt				above standpt
			below				below
			above standpt				above standpt
			below				below
			above standpt				above standpt
			below				below
			above standpt				above standpt
			below				below
			above standpt				above standpt
			below				below

Prepared by:

Checked:

Noted on U.T.M. Grid

STATION: **POMINGALARNA (P)** No.: **TS 6045**

MAP SHEETS SCALE 1:250 000 **WAGGA WAGGA** SCALE 1:100 000

INSPECTED BY: **C. FORD** DATE: **2-9-87**

AUTHORITY: **C. M. A.** FIELD BOOK:

Station Diagram

Not to Scale

Checked: **[Signature]**

