

74.00

Trigonometrical Survey of N.S.W.

RECONNAISSANCE and MAINTENANCE REPORT

CENTRAL MAPPING AUTHORITY
Department of Lands

STATION **SALISBURY GAP TS 6024**

Co: **DURHAM** Ph: **UNDERBANK**

Map Sheet: **DUNGOB** No: **5233**

Inspected by: **M.L. Morrison** Date: **20th SEPT '77**

Authority: _____ Field Book: **1561**

Beacon Diagram: _____ Net to Scale

This Trig. Station has been:-

Note: Cross out word or words which do not apply

1. ~~Completely cleared~~ to permit 360° vision to surrounding Trigs.
2. Cleared by lanes bearing **A FEW SMALL TREES TO TOP (ABOVE HOLE)** from Trig. Mast
3. Trig. Mast & Vanes have been painted **white & black** respectively.
4. The Trig. was unpiled/~~not supplied~~, dimensions now being: **One post Station Mark found ~~not to~~**

Description of mark: **BOTTLE IN A IN CONC FL.** should be explicit, eg. Steel plug, Brass plug, Bolt, G.L. Pipe

Height of mark **A.T. G.L.** m ^{above} _{below} rock/concrete m ^{above} _{below} G.L.

Height of Top Vanes to Top Mark m. Diameter of Vanes (vertical) m.

Height of Cairn m. Diameter of Cairn m.

Length of Mast m. (approximate if not unpiled)

5. A set in conc/rock has been placed m. bearing °M from Trig. Mast
6. A set in conc/soil has been placed m. bearing °M from Trig. Mast
7. A set in conc/soil has been placed m. bearing °M from Trig. Mast
8. A set in conc/rock has been placed m. bearing °M from Trig. Mast
9. Connection to m. bearing °M
10. Connection to m. bearing °M
11. Connection to m. bearing °M
12. Connection to m. bearing °M
13. Diff. Ht. is m. ^{above} _{below}
14. Diff. Ht. is m. ^{above} _{below}
15. Diff. Ht. is m. ^{above} _{below}
16. Diff. Ht. is m. ^{above} _{below}

Prepared by: **M.L. Morrison** Checked: _____

Noted on U.T.M. Card

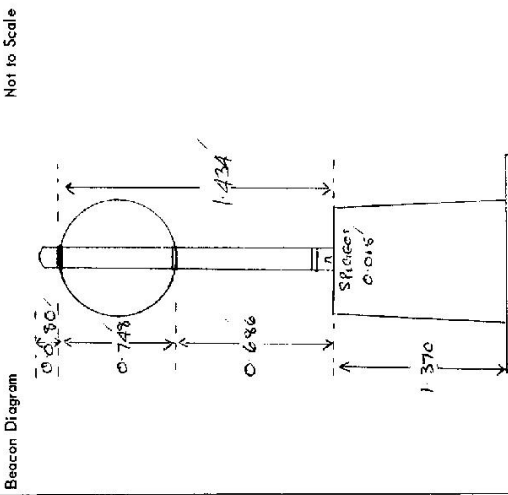
Date	Record of Station
	PERMISSION WAS GRANTED TO DO ANYTHING ON TOP OF HILL FROM THE OWNER.
	NO BEACON IS.

CENTRAL MAPPING AUTHORITY
 Department of Lands
 Trigonometrical Survey of N.S.W.
 RECONNAISSANCE and MAINTENANCE REPORT

STATION SALISBURY GAP PILLAR 6024
 Co: DURHAM Ph: LAND & BANK
 Map Sheet: DUNGOON No: 9233
 Inspected by: W.M. GILLIVRAY Date: 16-12-77
 Authority: C.M.A. Field Book: 1407

This Trig. Station has been:-
 Note: Cross out word or words which do not apply

1. Completely cleared to permit 360° vision to surrounding Trigs. ✓
2. Cleared by lones bearing..... from Trig. Mast
3. Trig. Mast & Vanes have been painted white & black respectively. ✓
4. The Trig. was unpiled/hot unpiled, dimensions now being: 3.164 m 1.514 m 0.748 m 0.686 m 1.434 m 0.370 m
 Description of mark..... CONC. PILLAR should be explicit e.g. Steel plug, Brass plug, Bolt, G.I. Pipe
 Height of mark..... 0.015 m above rock/concrete 0.015 m below rock/concrete
 Height of Top Vanes to Top Mark..... 1.434 m Diameter of Vanes (vertical) 0.748 m
 Height of Cairn..... 1.370 m Diameter of Cairn..... m.
5. A BEETLE NAIL set in conc/rock has been placed..... 3.164 m bearing 49° from Trig. Mast PILLAR
6. A COFFER NAIL set in conc/soil has been placed..... 2.960 m bearing 0.7° from Trig. Mast PILLAR
7. A..... set in conc/soil has been placed..... m. bearing.....°M from Trig. Mast
8. A..... set in conc/rock has been placed..... m. bearing.....°M from Trig. Mast
9. Connection: BEETLE NAIL C. Nail is 1.432 m above PILLAR PLATE
2.123 m bearing 293°°M
10. Connection..... to..... m. bearing.....°M
11. Connection..... to..... m. bearing.....°M
12. Connection..... to..... m. bearing.....°M
13. Diff. Ht. BEETLE NAIL is 1.432 m above PILLAR PLATE
14. Diff. Ht. COFFER NAIL is 1.424 m above PILLAR PLATE
15. Diff. Ht. BEETLE NAIL is 0.017 m above COFFER NAIL
16. Diff. Ht. is .. m. above .. below ..



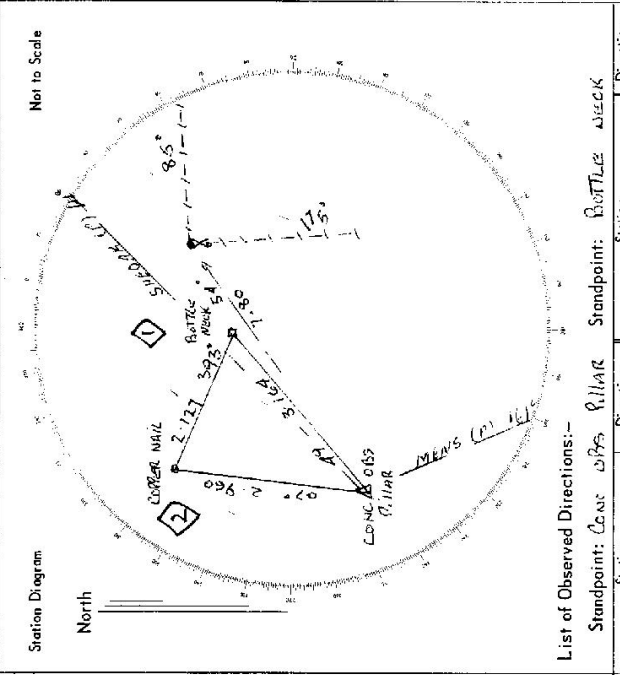
Date	Record of Station

Prepared by: A. VADY Checked: 2/1/78 Noted on U.T.M. Card

STATION SALISBURY COAL PILLAR TS 6024

Owners Name.....
 Address.....
 Access FOUND SURFACE

Current Occupant.....
 Address.....



List of Observed Directions:-

Station	Direction	Station	Direction
STANDPOINT: COAL OBS PILLAR		STANDPOINT: BOTTLE NECK	
MENS PILLAR 359 59 66		MENS PILLAR 329 59 66	
CORNER NAIL 206 19 30		PILLAR SPLICET 264 47 00	
SHEDDAR PILLAR 240 09 20		CORNER NAIL 131 23 35	
BOTTLE NECK 246 46 40		SHEDDAR PILLAR 240 03 15	
Station	Direction	Station	Direction