

ENILKAL MAPPING AUTHORITY

Trigonometrical Survey of N.S.W.

Department of Lands

RECONNAISSANCE and MAINTENANCE REPORT

STATION CAREYS PEAK

6019

This Trig. Station has been:-

Note: Cross out word or words which do not apply

1. Completely cleared to permit 360° vision to surrounding Trigs.
2. Cleared by lanes bearing from Trig. Mast
3. Trig. Mast & Vanes have been painted white & black respectively.
4. The Trig. was unpiled/~~set~~ unpiled, dimensions now being:

Description of mark... CONCRETE. ~~SUN-DIAL~~..... should be explicit, e.g. Steel plug, Brass plug, Bolt, G.I. Pipe

Height of mark..... 0.81 m above rock/concrete m above below G.L.

Height of Top Vanes to Top Mark..... m. Diameter of Vanes (vertical)..... m.

Height of Cairn..... m. Diameter of Cairn..... m.

Length of Mast..... m. (approximate if not unpiled)

5. A..... set in conc/rock has been placed..... m. bearing.....°M from Trig. Mast
6. A..... set in conc/soil has been placed..... m. bearing.....°M from Trig. Mast
7. A..... set in conc/soil has been placed..... m. bearing.....°M from Trig. Mast
8. A..... set in conc/rock has been placed..... m. bearing.....°M from Trig. Mast

9. Connection..... to..... m. bearing.....°M

10. Connection..... to..... m. bearing.....°M

11. Connection..... to..... m. bearing.....°M

12. Connection..... to..... m. bearing.....°M

13. Diff. Ht. is..... m. above below

14. Diff. Ht. is..... m. above below

15. Diff. Ht. is..... m. above below

16. Diff. Ht. is..... m. above below

Prepared by: *[Signature]*

Checked: *[Signature]*

Noted on U.T.M. Card

A. Vajra 2/14/78 Checked

Co: DURHAM

Map Sheet: CAMBERWELL

Inspected by: M.L. MORRISON

Authority

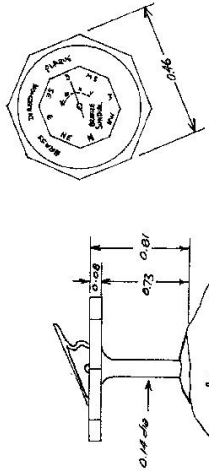
Beacon Diagram

No: 9133

Date: 15th OCTOBER 1977

Field Book: 1561

Not to Scale



CONCRETE SUNDIAL ON TOP OF HILL
(CENTRE OF TOP ORIGINAL POINT)

PLAQUE PRESENTED TO THE BARRINGTON LEAGUE
BY
K.D. MICKOWALD 20/10/54

SUNDIAL RAISED IN DECEMBER 1934

Date

Record of Station
About 2 to 3 days CLEARING AND TRIMMING TIMBER REQUIRED FOR
360° VISION

STATION CAREYS PEAK TS 6019

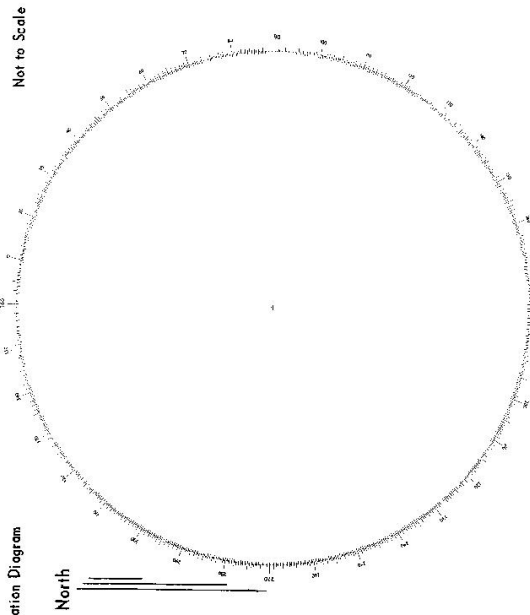
Owners Name.....

Current Occupant.....

Address: BARRINGTON TOPS
NATIONAL PARK

Address.....

Not to Scale



List of Observed Directions:—

Standpoint:		Standpoint:	
Station	Direction	Station	Direction

Access 19-10-1977

Km Direction

0.00 AT INTERSECTION IN SALISBURY HEDD TOWARDS BARRINGTON HOUSE

7.25 PASS RD TO RIGHT TO BARRINGTON HOUSE FOLLOW LH FORK TO 'CAREYS PEAK'

10.50 TAKE 'WILLIAMS FOREST' RD TO RIGHT

14.30 TAKE ROAD TO RIGHT TO 'CAREYS PEAK'

15.65 GATE (LOCKED IN WET WEATHER) GO THROUGH AND FOLLOW TRACK TO RIGHT

21.10 TAKE LH FORK

21.80 TAKE RH FORK

23.20 TAKE TRACK TO LEFT SIGN CAREYS PEAK

24.10 TAKE TRACK AROUND TO LEFT

24.65 TURN LEFT UP TRACK TO 'CAREYS PEAK'

24.75 CAREYS PEAK HOT PARK TRUCK APT 2 MINNS ENDS WALK TO TRIG SITE.

7498

CENTRAL MAPPING AUTHORITY

Trigonometrical Survey of N.S.W.

Department of Lands

RECONNAISSANCE and MAINTENANCE REPORT

STATION CAREYS PEAK PILLAR 6019

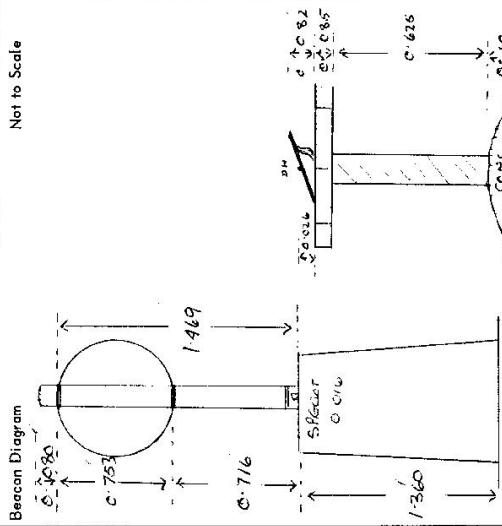
Co: DURHAM Ph:
 Map Sheet: CMB 62 SW 11 No: 9133
 Inspected by: W. M. GARDNER Date: 12-12-77
 Authority: C.M.A. Field Book: 1407

This Trig. Station has been:-

Note: Cross out word or words which do not apply

1. Completely cleared to permit 360° vision to surrounding Trigs.
2. Cleared by lanes bearing 45° & 355° from Trig. Mast
3. Trig. Mast & Vanes have been painted white & black respectively.
4. The Trig. was unpiled/not unpiled, dimensions now being:
 Description of mark: CONC. PILLAR.
 SPACES PLATE should be explicit, e.g. Steel plug, Brass plug, Bolt, G.I. Pipe
 Height of mark: 0.816 m above PILLAR PLATE
 Height of Top Vanes to Top Mark: 1.469 m
 Height of Cairn: 1.360 m. Diameter of Cairn: 0.733 m.
 Diameter of Vanes (vertical): 0.733 m.

5. A SUN DIAL set in conc/reek has been placed. 3.223 m. bearing 267° 9M from Trig. Mast PILLAR. FOUND
6. A COPPER NAIL set in conc/sett has been placed. 3.867 m. bearing 308° 9M from Trig. Mast PILLAR.
7. A set in conc/soil has been placed. m. bearing °M from Trig. Mast
8. A set in conc/rock has been placed. m. bearing °M from Trig. Mast
9. Connections: SUN DIAL to COPPER NAIL. 7.876 m. bearing 132° 9M
10. Connection: to : m. bearing °M
11. Connection: to : m. bearing °M
12. Connection: to : m. bearing °M
13. Diff. Ht. SUN DIAL is 0.857 m. above PILLAR PLATE. below
14. Diff. Ht. COPPER NAIL is 1.992 m. above PILLAR PLATE. below
15. Diff. Ht. COPPER NAIL is 1.093 m. above SUN DIAL. below
16. Diff. Ht. is m. above below



Date	Record of Station

Prepared by: A. V. G. Checked: A. V. G. 21/4/78 Noted on U.T.M. Card

STATION CARLEYS PEAK TS 6019

Current Occupant.....

Address.....

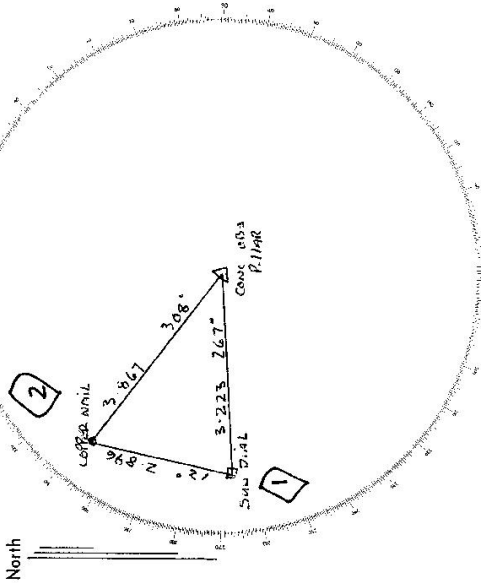
Owners Name.....

Address.....

Access 12-12-77
FOUND SUITABLE

Not to Scale

Station Diagram



List of Observed Directions:-

Standpoint: <u>CONC C/S PILLAR</u>		Standpoint: <u>SAIN DIAL</u>	
Station	Direction	Station	Direction
<u>BARRINGTON PILLAR</u>	<u>357.59.40</u>	<u>BARRINGTON PILLAR</u>	<u>356.59.60</u>
<u>COPPER NAIL</u>	<u>33.10.10</u>	<u>COPPER NAIL</u>	<u>87.50.00</u>
<u>SHELDON PILLAR</u>	<u>215.00.55</u>	<u>PILLAR SHELDON</u>	<u>166.01.40</u>
<u>SAIN DIAL</u>	<u>346.02.25</u>	<u>SHELDON PILLAR</u>	<u>215.00.55</u>
Station	Direction	Station	Direction