

CENTRAL MAPPING AUTHORITY
Department of Lands

Trigonometrical Survey of N.S.W.

RECONNAISSANCE and MAINTENANCE REPORT

This Trig. Station has been:-

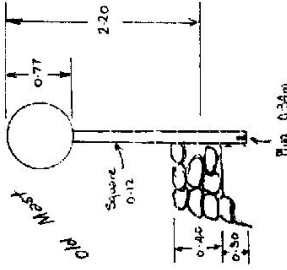
Note: Cross out word or words which do not apply.

1. Completely cleared to permit 360° vision to surrounding Trig. Station
2. Cleared by lanes bearing 143° 30' 44" / 497° 40' 14" / 183° 1' 59" / 249° 23' 45" / 262° 54' 24" / 262° 54' 24" from Trig. Mast
3. Trig. Mast & Vanes have been painted white & black respectively. ✓
4. The Trig. was unpiled/re-erected, dimensions now being:

Description of mark: Concrete Disastrously Placed should be explicit, e.g. Steel plug, Brass plug, Bolt, G.I. Pipe
 Height of mark: 1.350 m above rock/concrete below G.L.
 Height of Top Vanes to Top Mark: 1.430 m, Diameter of Vanes (vertical): 175.5 m.
 Height of Support of Cairn: 0.17 m. Diameter of Cairn: 0.17 m.

Length of Mast: 0.17 m. (approximate if not unpiled)

5. A Brass Plug set in conc/rock has been placed 2.792 m. bearing 148° from Trig. Mast. Pillar Facing
6. A Concrete Bolt set in conc/soil has been placed 4.447 m. bearing 266° from Trig. Mast. Pillar
7. A Concrete Bolt set in conc/soil has been placed 0.17 m. bearing 0° from Trig. Mast
8. A Concrete Bolt set in conc/rock has been placed 0.17 m. bearing 0° from Trig. Mast



9. Connection Brass Plug to Cairn Bolt: 1.276 m. bearing 387° m
10. Connection: 0.17 m. bearing 0° m
11. Connection: 0.17 m. bearing 0° m
12. Connection: 0.17 m. bearing 0° m
13. Diff. Ht. Brass Plug to Cairn Bolt is 2.624 m. above Below Below Below
14. Diff. Ht. Concrete Bolt to Cairn Bolt is 4.274 m. above Below Below Below
15. Diff. Ht. Concrete Bolt to Cairn Bolt is 4.447 m. above Below Below Below
16. Diff. Ht. Concrete Bolt to Cairn Bolt is 4.447 m. above Below Below Below

Prepared by: _____

Checked: _____

Noted on U.T.M. Card

Checked

STATION

Kooloona B.R. TS 5994

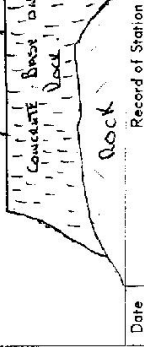
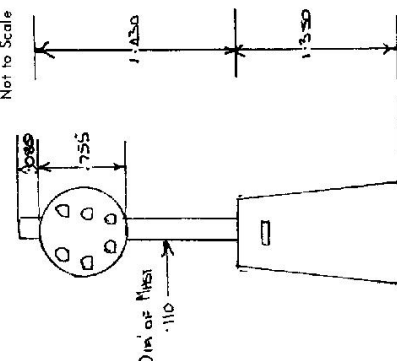
Co: ILLUMINATION | Ph: BULLAH - DELHA.

Map Sheet: BULAHDELHA | No: 580

Inspected by: L.R. Howes | Date: 2nd Nov '77

Authority: B.M.H. | Field Book: 01651

Beacon Diagram



Date

Record of Station

Net to Scale

