

CENTRAL MAPPING AUTHORITY
Department of Lands

Trigonometrical Survey of N.S.W.

RECONNAISSANCE and MAINTENANCE REPORT

This Trig. Station has been:-

Note: Cross out word or words which do not apply

1. Completely cleared to permit 360° vision to surrounding Trig.
2. Cleared by lanes bearing from Trig. Mast
3. Trig. Mast & Vanes have been painted white & black respectively.
4. The Trig. was unpiled/~~not unpiled~~, dimensions now being:

Description of ~~mark~~ ^{CONCRETE} ~~OB.S.~~ ^{PILLAR} should be explicit, e.g. Steel plug, Brass plug, Bolt, G.I. Pipe
 Height of ~~mark~~ ^{SP. GAUT} ~~.....~~ ^{PILLAR PLATE} m above ~~.....~~ ^{.....} m below G.L.
 Height of Top Vanes to Top ~~Mark~~ ^{PILLAR} ~~.....~~ ^{.....} m. Diameter of Vanes (vertical) m.
 Height of ~~.....~~ ^{PILLAR} ~~.....~~ ^{.....} m. Diameter of Cairn m.

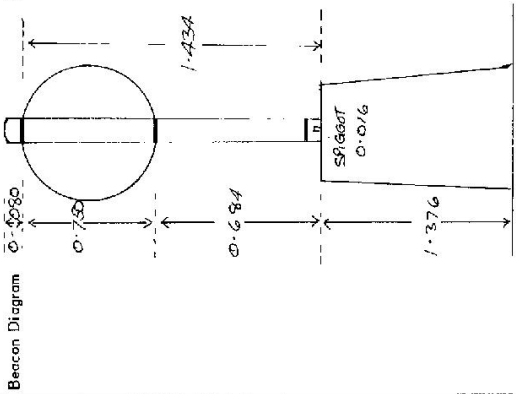
5. A ~~Drill Hole~~ ^{FOUND} set in conc/rock has been placed ~~.....~~ ^{.....} m bearing ~~.....~~ ^{.....} °M from Trig. Mast PILLAR.
6. A ~~Copper Nail~~ set in conc/soil has been placed ~~.....~~ ^{.....} m bearing ~~.....~~ ^{.....} °M from Trig. Mast PILLAR.

7. A set in conc/soil has been placed m bearing °M from Trig. Mast
8. A set in conc/rock has been placed m bearing °M from Trig. Mast
9. Connection D: H. to ~~COPPER NAIL~~ ^{.....} 3.823 m bearing 5.8 °M
10. Connection to m bearing °M

11. Connection to m bearing °M
12. Connection to m bearing °M
13. Diff. Ht. ~~Drill Hole~~ ^{.....} is ~~.....~~ ^{.....} m. ~~.....~~ ^{.....} PILLAR PLATE
14. Diff. Ht. ~~Copper Nail~~ ^{.....} is ~~.....~~ ^{.....} m. ~~.....~~ ^{.....} PILLAR PLATE
15. Diff. Ht. ~~Drill Hole~~ ^{.....} is ~~.....~~ ^{.....} m. ~~.....~~ ^{.....} COPPER NAIL
16. Diff. Ht. is m. ~~.....~~ ^{.....}

Prepared by: W McEILLIVRAY Checked: M.L. Morrison II Noted on U.T.M. Card

STATION NORTH BRECKIN TS 5974
 Co: DURHAM Ph: GRESFORD.
 Map Sheet: DUNGOO No: 9233
 Inspected by: W. McEILLIVRAY. Date: 18-10-77
 Authority: CENTRAL MAPPING. Field Book: 1406



Date	Record of Station

Checked

STATION NORTH BRECKIN TS 5974

Owners Name..... Current Occupant.....

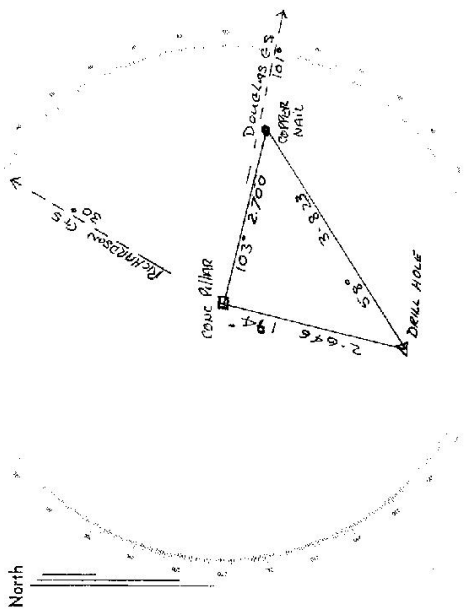
Address..... Address.....

Access 18-P-1977

- 0+0 EAST GRESFORD P.O TAKE ROAD TOWARDS PATTERSON.
- 7+0 TURN OFF ROAD TO RIGHT IRON GATE.
- 7+3 GUILDFORD GATE.
- 7+7 IRON GATE.
- 8+4 -- GATE.
- 9+3 IRON GATE TURN SHARP LEFT
- 9+7 TURN SHARP LEFT AT TOP OF RIDGEMOUNT FARM TRACK.
- 10+5 FOLLOW TO T-S.

Not to Scale

Station Diagram



List of Observed Directions:-

Station	Direction	Station	Direction
Richardson Pillar	359 59 60	Richardson Pillar	359 59 60
Copper Nail	71 54 00	Copper Nail	27 58 00
Dowdell Pillar	71 54 25	Dowdell Pillar	71 53 00
Drill Hole	162 03 20	Pillar Street	343 03 00

Station	Direction	Station	Direction