

CENTRAL MAPPING AUTHORITY
Department of Lands

Trigonometrical Survey of N.S.W.

RECONNAISSANCE and MAINTENANCE REPORT

This Trig. Station has been:-

Note: Cross out word or words which do not apply

1. Completely cleared to permit 360° vision to surrounding Trig.
2. Cleared by lanes bearing ABOVE CAIRNS from Trig. Mast
3. Trig. Mast & Vanes have been painted white & black respectively.
4. The Trig. was unpiled/~~was unpiled~~, dimensions now being: BRONZE TRIG. PILE should be explicit, e.g. Steel plug, Brass plug, Bolt, G.L. Pipe
Description of mark..... m above ~~below~~ rock/concrete m below G.L.
Height of mark..... 0.010 m above ~~below~~ rock/concrete 0.66 m below G.L.
Height of Top Vanes to Top Mark 4.120 m. Diameter of Vanes (vertical), 1.012 m.
Height of Cairn 0.85 m. Diameter of Cairn 1.80 m.

5. A SSM set in conc/rock has been placed 2.412 m. bearing Plg 355 °M from Trig. Mast
6. A set in conc/soil has been placed m. bearing °M from Trig. Mast
7. A set in conc/soil has been placed m. bearing °M from Trig. Mast
8. A set in conc/rock has been placed m. bearing °M from Trig. Mast
9. Connection SSM to Gillie 3255 m. bearing °M
10. Connection to m. bearing °M
11. Connection to m. bearing °M
12. Connection to m. bearing °M
13. Diff. Ht. BRONZE TRIG. PILE is 0.602 m. above ~~below~~ SSM IN ROCK
14. Diff. Ht. Gillie is 0.090 m. above ~~below~~ SSM IN ROCK
15. Diff. Ht. is m. above ~~below~~
16. Diff. Ht. is m. above ~~below~~

Prepared by: M.L. MORRISON Checked: G.L. ... Noted on U.T.M. Card

STATION CANGAI EAST G.S. TS 5962

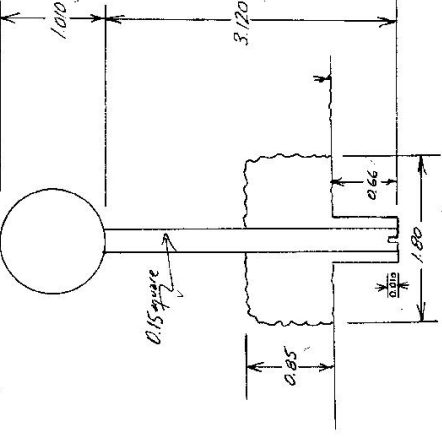
Co: DEAKE Ph: CANGAI

Map Sheet: NEWTON BOYD No: 9338

Inspected by: M.L. MORRISON Date: 22.1.77

Authority: ANGELINA Field Book: 1825

Beacon Diagram: Not to Scale



Date	Record of Station

Checked

STATION CANGAI EAST G.S. TS 5962

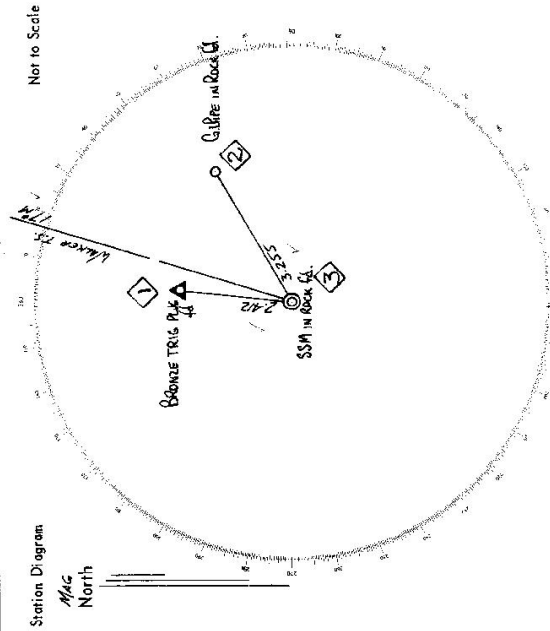
Owners Name.....
 Current Occupant.....
 Address.....
 Address.....

Access 22-1-1977

DIRECTION

Km
 0.0 MANU RIVER SERVICE STATION JACKADGERY
 3.65 TRAVEL WEST TOWARDS GLEN INNES.
 4.30 TURN LEFT INTO ROAD (GRID AND GATE)
 4.90 GRID AND GATE
 6.15 GRID AND GATE
 8.10 DAM ON RIGHT. TRACK ON LEFT TO MANU TS. (8.30km)
 14.20 'Y' INTERSECTION. TAKE LEFT FORK.
 14.90 TAKE TRACK ON LEFT.
 15.00 TAKE VERY ROUGH TRACK ON RIGHT. 2 WHEEL DRIVE TO AGRE (IN CAR.)
 15.15 TURN LEFT AT LARGE STUMP. FOLLOW RIDGE
 15.25 TRIG

LOGS OUT ON LEFT



List of Observed Directions:-

Standpoint: SSM in rock

Station	Direction	Station	Direction
MANU TS	0 40 00		
BRONZE TRIG PILE	348 17 45		
GLUE IN ROCK	43 06 00		
Station	Direction	Station	Direction

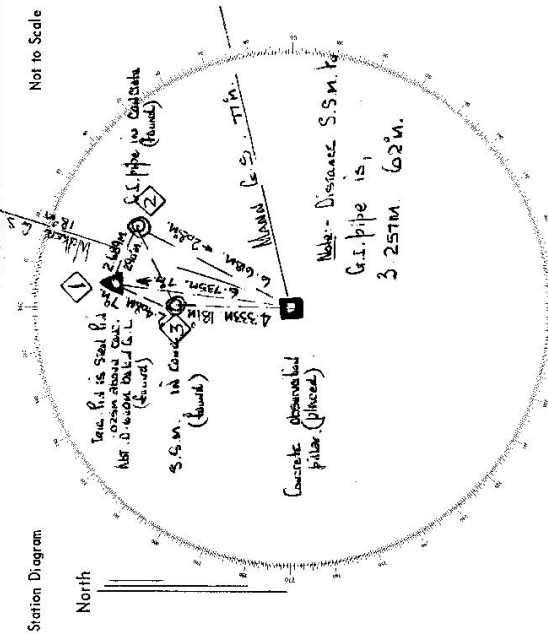
STATION CANGAI EAST (Pillar) G.S. TS 5962

Owners Name... CROWN LAND
 Current Occupant.....
 Address.....
 Address.....

Access 14/10/1977 Access To Cangai East (Pillar) G.S.
 AT JACKADEGEE AT BOMBAY FLEECE SERVICE STATION AND CREAVAN PARK ON GUNDEE HIGHWAY, AT 0.0 KILOMETRES TRAVEL TOWARD GLEN INNES.
 KILOMETRES

- Features.
- 3.50 Turned Left over Grid on Along good graded road.
 - 4.10 Through Grid.
 - 4.70 Through Field.
 - 6.00 Through Grid.
 - 7.80 Pass Dam on R.H.S.
 - 13.00 Pass Track on L.H.S.
 - 13.30 " " R.H.S.
 - 13.80 " " L.H.S.
 - 13.85 " " R.H.S.
 - 13.90 Intersection of two Graded Tracks, Take left track.
 - 14.60 TAKE LEFT Lane along track.
 - 14.80 Turned Right up Jeep trail.
 - 14.90 CANGAI EAST (Pillar) G.S.

Note: If it was necessary it would be possible, in dry weather to drive a Station sedan type vehicle to 14.80 Kilometres.



List of Observed Directions:-

Station	Direction	Station	Direction
MAIN G.S.	0 00 00	MAIN G.S.	0 00 00
S.S.M. (Sealed)	291 58 24	G.I. pipe	37 44 55
True. Ring (Sealed)	293 46 29	Conc. Obs. Pillar	115 02 27
Walker G.S.	308 04 50	S.S.M.	14 58 01
G.I. pipe	316 58 43	Walker G.S.	308 00 26

Station	Direction	Station	Direction

GEODETIC SURVEY OF N.S.W.

CENTRAL MAPPING AUTHORITY

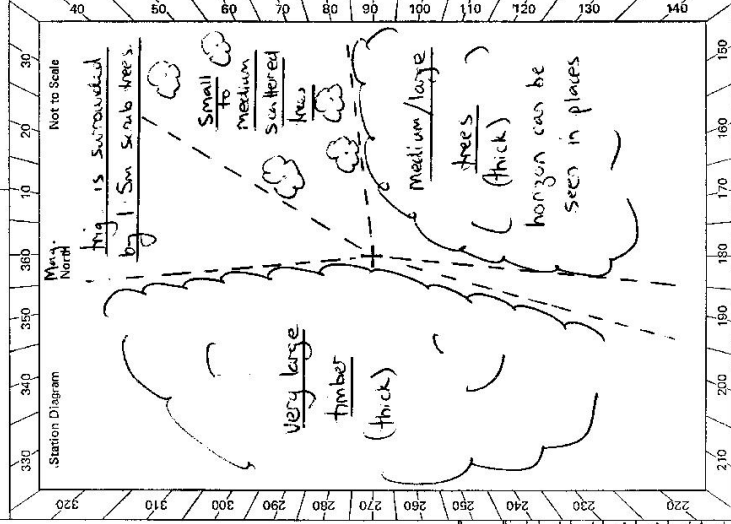
GEODETIC STATION RECONNAISSANCE and MAINTENANCE REPORT

STATION: CANGAI EAST G.SOP No.: 5962

MAP SHEET 1:25000 CANCAL 1338-1-N
SCALE 1:250 000 CRAFTON SH 56-6

INSPECTED BY: K. THOMPSON DATE: 8th June 1979

AUTHORITY: C.M.A. FIELD BOOK: JS2/22



- Description:
1. ~~Cleared by fence-bearing~~..... Note: Cross out word or words which do not apply from Fig. Mast
 2. Mast & Vanes have been painted white & black respectively.
 3. The station/pillar was ~~unplaced/not unpiled/constructed~~ on ~~8th JUNE~~ 1979, dimensions now being: Description of mark ~~2.5m~~ ~~plastic~~ should be explicit, e.g. S/Steel Pillar Plate, Steel plug, Brass plug, Bolt, G.I. Pipe
Height of mark ~~1.35~~ m. above ~~below~~ rock/concrete; Mark ism. above G.L.
Height of Top Vanes to Top Mark/Pillar platem. Diameter of Vanes (vertical) ~~0.75~~ m.
Height of Cairn.....m. Diameter of Cairn.....m. Name Plate found/~~not found/placed~~.
Length of Mastm. (approximate if not unpiled)
 4. A. ~~S.S.M.~~..... set in conc/~~rock~~ has been placed/found, bearing.....° M from Mast/~~plug~~/Pillar
 5. A. ~~massive fig. plug~~..... set in conc/~~rock~~ has been placed/found, bearing.....° M from Mast/~~plug~~/Pillar
 6. A. ~~C.I. Pipe~~..... set in conc/~~rock~~ has been placed/found, bearing.....° M from Mast/~~plug~~/Pillar
 7. A..... set in conc/~~rock~~ has been placed/found, bearing.....° M from Mast/~~plug~~/Pillar
 8. Action required: ~~Cleaning~~.....

STANDPOINT:

Mark	Direction	Horiz. Distance	Height Difference	Mark	Direction	Horiz. Distance	Height Difference
			above standpt.				above standpt.
			below				below
			above standpt.				above standpt.
			below				below
			above standpt.				above standpt.
			below				below
			above standpt.				above standpt.
			below				below
			above standpt.				above standpt.
			below				below
			above standpt.				above standpt.
			below				below

Prepared by: K. Thompson Checked: K. Thompson 25/9/79
Noted on U.T.M. Card

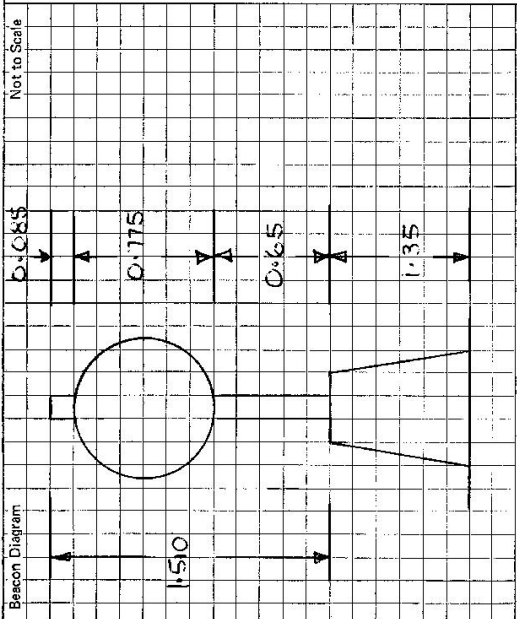
STATION **CANGAI EAST G.S.O.P TS 5962**

Owner's Name: **LORES HARBOUR DISTRICT FORESTRY COMMISSION**
 Address: **Cangai State Forest**
 Phone:
 Current Occupant:
 Address:
 Phone:
ACCESS

Access Report of **14/10/1977** was found suitable/**unsuitable**.

At Jackdery at Golden Meece Station and Garuvan Park on Gwydar Highway, at 0.0 kms travel toward Glen Innes.

- Feature**
- 3.50 Turn left over grid and along good graded road
 - 4.10 Through Grid
 - 4.70 Through Grid
 - 6.00 Through Grid
 - 7.80 Pass Dam on R.H.S.
 - 13.00 Pass track on L.H.S. } Stay on main
 - 13.30 Pass track on R.H.S. } Graded road
 - 13.85 Pass track on R.H.S. }
 - 13.90 Intersection of two graded tracks, take left track
 - 14.50 Take left fork along track
 - 14.80 Turn right up steep trail
 - 14.80 Cangai Road (R.H.S.) G.S.
- Note: If it was necessary it would be possible, in dry weather to drive a Station sedan type vehicle to 14.80 kilometres.



This section to be completed by officer constructing pillar.

Original station mark found/not found.

Description of mark:

Original beacon found/not found.

Description of beacon:

Height Top of Vanes to Top Mark.....m.

Height of mark.....m. above G.L. below

Diameter of Vanes.....m.

Original Beacon has/has not been destroyed by me. Height of Cairn.....m.

Date	Record of Station
3/9/79	Verbal permission granted by the Minister of Lands, Forests & Fisheries (file 59/47)

CENTRAL MAPPING AUTHORITY

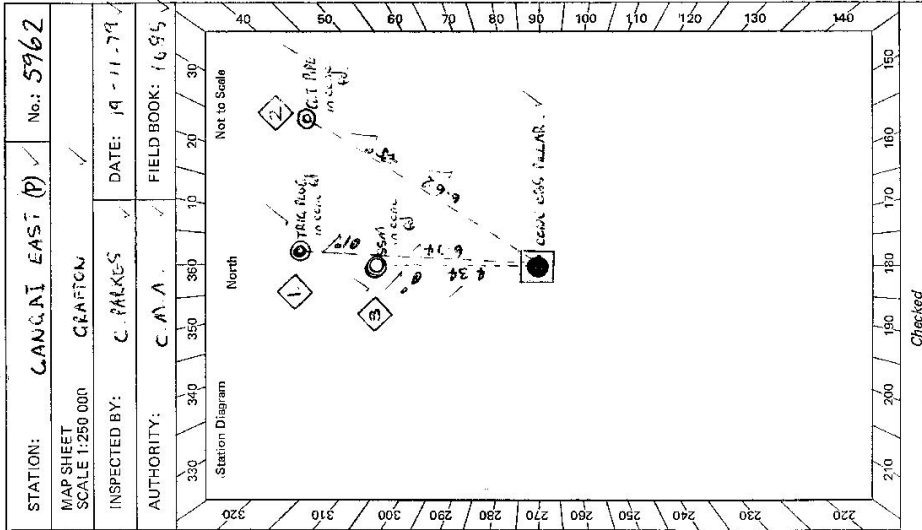
GEODETTIC STATION RECONNAISSANCE and MAINTENANCE REPORT

- Description:
1. Cleared by lances bearing..... *327 A to 178* from Trig. Mast
2. Mast & Vanes have been painted white & black respectively.
3. The ~~station~~/pillar was unpiled/~~not-emptied~~/constructed on..... *19th November 1971*....., dimensions now being:
 Description of mark..... *4/5/6/7*.....should be explicit, e.g., S/Steel Pillar Plate, Steel plug, Brass plug, Bolt, G.I. Pipe
- Height of mark..... *1.36* m. above ~~rock~~/concrete; Mark is..... *1.56* m. above G.L.
- Height of Top Vanes to Top ~~Mark~~/Pillar plate *1.93* m. Diameter of Vanes (vertical)..... *0.755* m.
- Height of Cairn..... m. Diameter of Cairn..... m. Name Plate found/~~not-found~~/placed.
- Length of Mast m. (approximate if not unpiled)
4. A..... *S.S.M*.....set in conc/~~rock~~ has been ~~placed~~/found, bearing..... *0*° M from Mast/~~plug~~/Pillar
5. A..... *TRIG. PLUG*.....set in conc/~~rock~~ has been ~~placed~~/found, bearing..... *1*° M from Mast/~~plug~~/Pillar
6. A..... *G.I. PIPE*.....set in conc/~~rock~~ has been ~~placed~~/found, bearing..... *25*° M from Mast/~~plug~~/Pillar
7. A..... set in conc/~~rock~~ has been placed/found, bearing.....° M from Mast/~~plug~~/Pillar
8. Action required:.....

STANDPOINT: *Magnetic Diprindat from pillar* STANDPOINT:

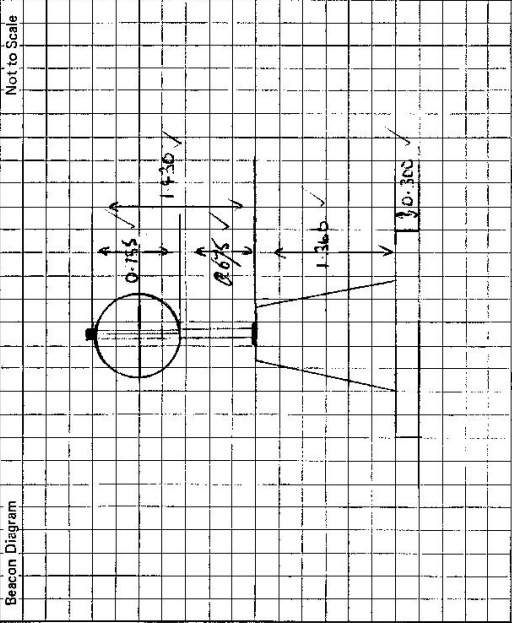
Mark	Direction	Horiz. Distance	Height Difference	Mark	Direction	Horiz. Distance	Height Difference
<i>WALLS (BO)</i>	<i>120</i> °		above standpt.				above standpt.
<i>WALL (BO)</i>	<i>60</i> °		above standpt.				above standpt.
<i>CONCRETE PLUG</i>	<i>100</i> °		above standpt.				above standpt.
<i>CONCRETE PLUG</i>	<i>150</i> °		above standpt.				above standpt.
<i>CONCRETE PLUG</i>	<i>79</i> °		above standpt.				above standpt.
<i>CONCRETE PLUG</i>	<i>340</i> °		above standpt.				above standpt.
<i>WALL</i>	<i>02</i> °		above standpt.				above standpt.

Prepared by:..... Checked: *18/11/2022*..... Noted on U.T.M. Card



Sr 2733-2 D. West, Government Printer

STATION CAUGAI EAST (P) TS 5962



Owner's Name: CAMPTON FORESTRY ✓
 Address: C.631M 510/L ✓
 Phone: (CAMBODIA STATE FORESTRY)

Current Occupant:
 Address:
 Phone:
 ACCESS: **NOTE: WATCH FOR HEE TRUCKS!** ✓

- Access Report of 8.7.19. This was found suitable/.....
- K.A. 0.00 MINAM RIVER SEALUC STATION JANKADUAY TRAVEL WEST TOWARDS CLEAU JAVES
 - ✓ 3.50 TURU LEFT OVER GRID C20 "CAUGAI EAST FOREST R."
 - ✓ 4.20 GRID
 - ✓ 4.90 GRID
 - ✓ 6.00 GRID
 - ✓ 7.90 PASS DAM CH R.H.S. (TRACK TO MAGU TS. ON L.H.S.)
 - ✓ 13.90 INTERSECTION OF R.H.S. TAKE R.J. TO LEFT "MARES ROAD R.J."
 - ✓ 14.50 TAKE LEFT FORK
 - ✓ 14.60 TURU RIGHT UP LEFT TRAIL
 - ✓ 14.90 CAUGAI EAST CONC PILLAR

This section to be completed by officer constructing pillar.

Original station mark found/not found.

Description of mark:

Original beacon found/not found.

Description of beacon:

Height Top of Vanes to Top Mark:m.

Height of mark:m. above G.L. below

Diameter of Vanes:m. Height of Cairn:m.

Original Beacon has/has not been destroyed by me.

Date	Record of Station