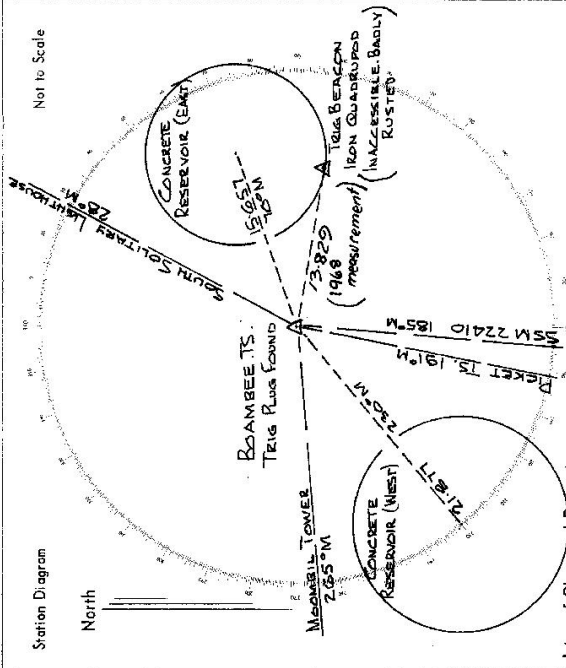




STATION 5936 BOAMBEE TS.

Owners Name.....  
 Current Occupant.....  
 Address.....  
 Address.....

Boambee & Coors Harbour  
 Access 3-10-75  
 Overhead Railway Bridge  
 Bitumen  
 Road  
 SAWTELL SHOPPING CENTRE

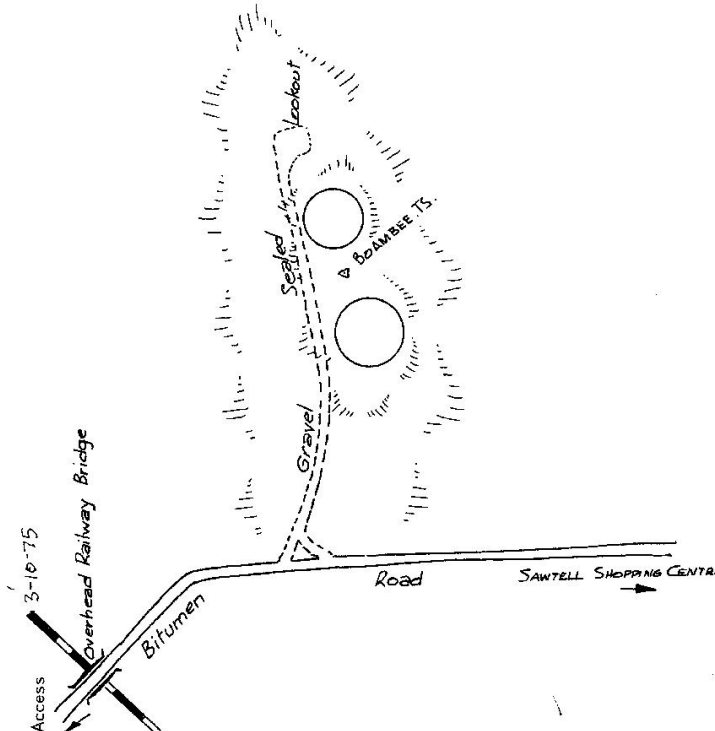


List of Observed Directions:-

Station	Direction	Station	Direction
MAGNETIC TOWER	155 159 60	SOUTH SOLITARY LIGHTHOUSE	059 59 60
SOUTH SOLITARY LIGHTHOUSE	122 59 28 8	EAST RESERVOIR	40 03 52
S5M 224 D	271 43 02 8	TRIG BEACON	70 03 39
PICKET TS.	286 02 59 4	PICKET TS.	163 02 28
		WEST RESERVOIR	206 55 37

Station	Direction	Station	Direction



7-4-98

Trigonometrical Survey of N.S.W.

CENTRAL MAPPING AUTHORITY

Department of Lands

RECONNAISSANCE and MAINTENANCE REPORT

STATION **BOAMBEE GS (Pillar) 5936**

Co: **Raleigh** Ph: **Bonville**  
 Map Sheet: **COFFS HARBOUR** No: **9537**  
 Inspected by: **L.R. Hollis** Date: **17 Aug. 1977**  
 Authority: **CMA** Field Book: **1532**

This Trig. Station has been: *Note: Cross out word or words which do not apply*

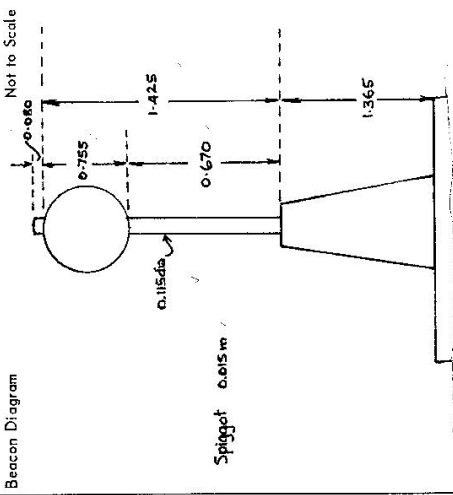
1. ~~Completely cleared to permit 360° vision to surrounding Trigs.~~
2. Cleared by lanes bearing Trig. between ~~two~~ **Reservoirs** from Trig. Mast
3. Trig. Mast & Vanes have been painted white & black respectively. ✓
4. The Trig. was unpiled/ ~~re-erected~~, dimensions now being: *see below*

Description of mark... **Conc. OP** *placed* should be explicit, e.g. Steel plug, Brass plug, Bolt, G.I. Pipe  
 Height of mark... **1.365** m *above* ~~below~~ **rock/concrete** *above* ~~below~~ **G.L.**  
 Height of Top Vanes to Top Mark **1.425** m. Diameter of Vanes (vertical) **0.755** m.  
 Height of Cairn... m. Diameter of Cairn... m.

Length of Mast... m. (approximate if not unpiled)

5. **Brass** Trig. Plug... set in conc/rock has been ~~placed~~ **2.524** m. bearing **211**°M from Trig. Mast Pillar
6. **Cu. Nail**... set in conc/rock has been placed **3.155** m. bearing **266**°M from Trig. Mast
7. **Al. conc. Rest.**... set in conc/rock has been placed **12.503** m. bearing **111**°M from Trig. Mast
8. **A.**... set in conc/rock has been placed... m. bearing...°M from Trig. Mast
9. Connection **Cu. Nail** to Trig. Plug: **2.784** m. bearing **139**°M
10. Connection Trig. Plug to Beacon (rest): **13.730** m. bearing **98**°M

11. Connection... to... m. bearing...°M  
 12. Connection... to... m. bearing...°M  
 13. Diff. Ht. **Top of Pillar** is **1.340** m. *above* ~~below~~ **Brass Trig. Plug**  
 14. Diff. Ht. ... is **1.583** m. *above* ~~below~~ **Cu. Nail**  
 15. Diff. Ht. ... is **8.872** m. *above* ~~below~~ **Top of Vanes on Boambee Rest. beacon**  
 16. Diff. Ht. ... is **4.996** m. *above* ~~below~~ **Conc. platform ie top of Boambee Rest. <sup>rest</sup> of**



Date **1977** Record of Station  
*Boambee GS pillar - 1532/1977*

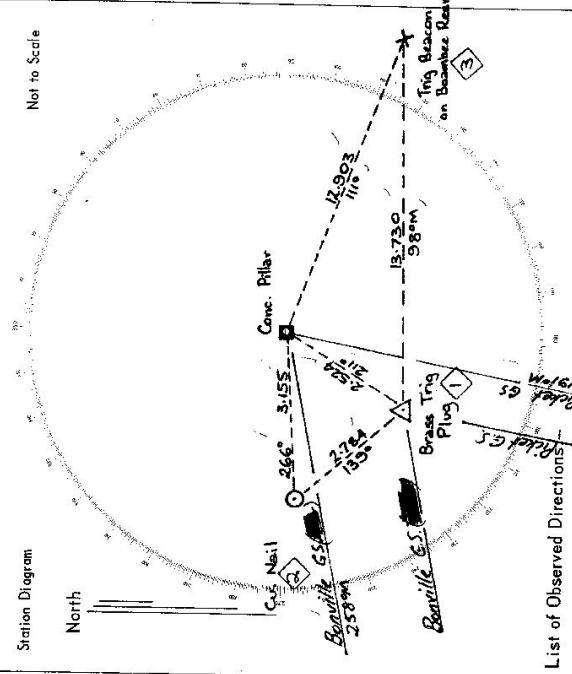
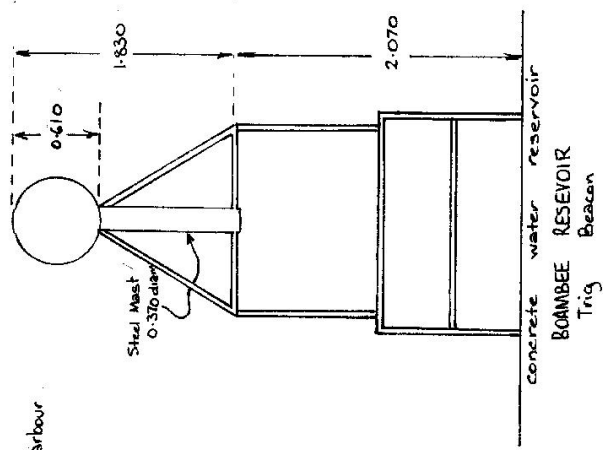
Checked

Noted on U.T.M. Card

Checked:

STATION **BOAMBEE** / **5936**  
 Current Occupant... **Crown Land**  
 Address.....  
 Owners Name.....  
 Address.....

Access - km **17.8 (A77)**  
**SANITELL P.O. travelling north towards Coffs Harbour**  
**1.55 Turn right up to reservoirs**  
**1.8 BOAMBEE GS at reservoirs**



List of Observed Directions

Standpoint: **Cone OP**

Station	Direction	Station	Direction
PICKET GS	352 59 60	PICKET GS	359 59 60
Trig Plug	21 08	BONVILLE GS	70 43 40
BONVILLE GS	70 43 00	C.S. Nail	128 21
C.S. Nail	78 34	Spigget	201 08
Boambee Reser. beacon	277 13 20	Boambee Reser. beacon	266 56 50

Standpoint: **Brass Trig Plug**

Station	Direction	Station	Direction

CENTRAL MAPPING AUTHORITY

GEODETIC SURVEY OF N.S.W.

GEODETIC STATION RECONNAISSANCE and MAINTENANCE REPORT

Description:

Note: Cross out word or words which do not apply

1. Cleared by lanes bearing  $210^{\circ}03'$   $\rightarrow$   $54^{\circ}30'$   $\rightarrow$   $224^{\circ}13'$   $\rightarrow$   $60^{\circ}04'$  from Trig. Mast
2. Mast & Vanes have been painted white & black respectively. ✓
3. The station/pillar was unpiled/not unpiled/constructed on..... 19....., dimensions now being:  
Description of mark  $2.5$   $\times$   $1.5$   $\times$   $1.5$  should be explicit, e.g., S/Steel Pillar Plate, Steel plug, Brass plug, Bolt, G.I. Pipe  
Height of mark.....m. <sup>above</sup> rock/concrete; Mark is.....m. <sup>above</sup> G.L.  
Height of Top Vanes to Top Mark/Pillar plate.....m. Diameter of Vanes (vertical).....m.  
Height of Cairn.....m. Diameter of Cairn.....m. Name Plate found/not found/placed.  
Length of Mast.....m. (approximate if not unpiled)
4. A.....set in conc/rock has been placed/found, bearing.....° M from Mast/Plug/Pillar
5. A.....set in conc/rock has been placed/found, bearing.....° M from Mast/Plug/Pillar
6. A.....set in conc/rock has been placed/found, bearing.....° M from Mast/Plug/Pillar
7. A.....set in conc/rock has been placed/found, bearing.....° M from Mast/Plug/Pillar
8. Action required: ~~N.H.~~

STANDPOINT:

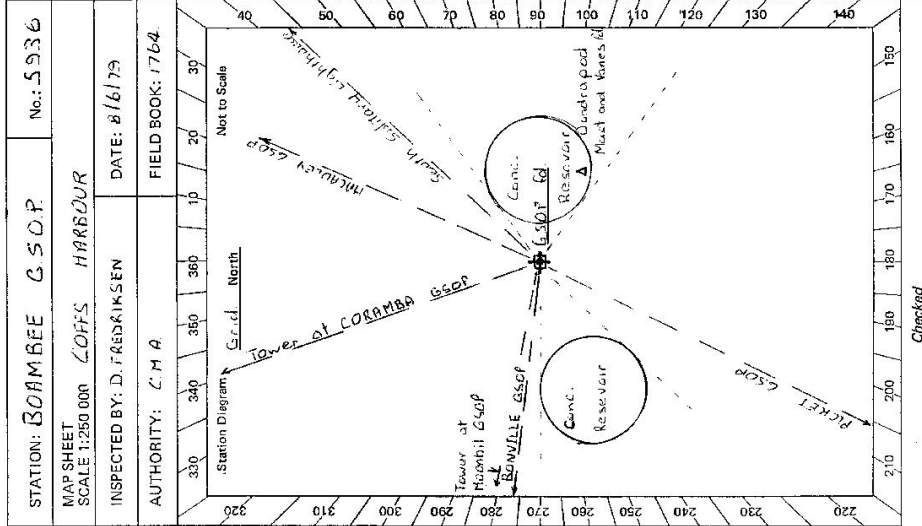
Mark	Direction	Horiz. Distance	Height Difference	Mark	Direction	Horiz. Distance	Height Difference
			above standpt				above standpt
			below				below
			above standpt				above standpt
			below				below
			above standpt				above standpt
			below				below
			above standpt				above standpt
			below				below
			above standpt				above standpt
			below				below
			above standpt				above standpt
			below				below

Prepared by: D. Frost, Lsten. 30/6/79

Checked: *AD* 27/7/79

Noted on U.T.M. Card

St 2733-1



STATION: BOAMBEE G.S.P. No.: 5936

MAP SHEET SCALE 1:250 000 OFFS HARBOUR

INSPECTED BY: D. FROST, LSTEN. DATE: 31/6/79

AUTHORITY: C.M.A. FIELD BOOK: 1764

St 2733-2 D. West, Government Printer

STATION BOORMBEEL C.S.O.P 5936

Beacon Diagram	Not to Scale

Owner's Name: *Public Property*  
 Address: .....  
 Phone: .....

Current Occupant: .....  
 Address: .....  
 Phone: .....

Access Report of *8/6/1977* was found suitable/unsuitable. *updated.*

*Feature*  
 0.00 At intersection on Pacific Hwy about 4 kms south of  
 3.22 Cofts Harbour take the 'SAWTELL' ~~and~~ turn off and  
 keep on main road.  
 3.36 Pass over railway line  
 3.60 Turn LEFT up to "lookout".  
 At Trig.

ACCESS

This section to be completed by officer constructing pillar.

Original station mark found/not found.

Description of mark: .....

Original beacon found/not found.

Description of beacon: .....

Height Top of Vanes to Top Mark .....m.

Height of mark .....m. above G.L. below

Diameter of Vanes .....m. Height of Cairn .....m.

Original Beacon has/has not been destroyed by me.

Date	Record of Station

CENTRAL MAPPING AUTHORITY  
 GEODETTIC SURVEY OF N.S.W.  
 GEODETTIC STATION RECONNAISSANCE and MAINTENANCE REPORT

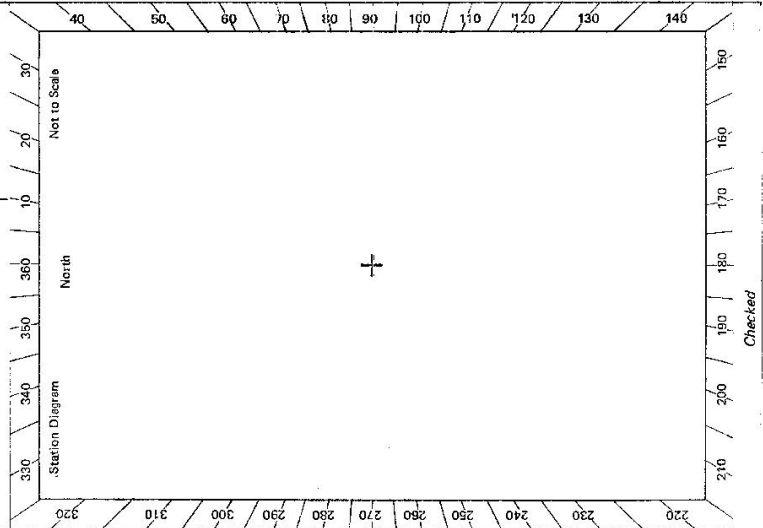
STATION: **BOAMBEE (PILLAR)** No.: **5936**  
 MAP SHEET SCALE 1:250 000 **COFFS HARBOUR**  
 INSPECTED BY: **K. BRIDGES** DATE: **8/8/79**  
 AUTHORITY: **D.M.R.** FIELD BOOK: \_\_\_\_\_

Description: *Note: Cross out word or words which do not apply*

1. Cleared by lances bearing **2.08M - 2.50M** ~~COVERED BY RESEYVING~~ from Trig. Mast
2. Mast & Vanes have been painted white & black respectively.
3. The station/pillar was unpiled/not unpiled/constructed on **19** dimensions now being:  
 Description of mark **S/S Pillar** should be explicit, e.g., S/Steel Pillar Plate, Steel plug, Brass plug, Bolt, G.I. Pipe  
 Height of mark **1.27** m. <sup>above</sup> ~~below~~ **rock/concrete**; Mark is **1.27** m. <sup>above</sup> ~~below~~ G.L.  
 Height of Top Vanes to Top Mark/Pillar plate **1.425** m. Diameter of Vanes (vertical) **0.725** m.  
 Height of Cairn **0** m. Diameter of Cairn **0** m. Name Plate found/~~not found/lost~~  
 Length of Mast **1.52** m. (approximate if not unpiled)
4. A **0** set in conc/rock has been placed/found, bearing **0**° M from Mast/Plug/Pillar
5. A **0** set in conc/rock has been placed/found, bearing **0**° M from Mast/Plug/Pillar
6. A **0** set in conc/rock has been placed/found, bearing **0**° M from Mast/Plug/Pillar
7. A **0** set in conc/rock has been placed/found, bearing **0**° M from Mast/Plug/Pillar
8. Action required: \_\_\_\_\_

STANDPOINT:			
Mark	Direction	Horiz. Distance	Height Difference
			above standpt.
			below standpt.
			above standpt.
			below standpt.
			above standpt.
			below standpt.
			above standpt.
			below standpt.
			above standpt.
			below standpt.
			above standpt.
			below standpt.

Prepared by: *[Signature]* Checked: *[Signature]* Noted on U.T.M. Card

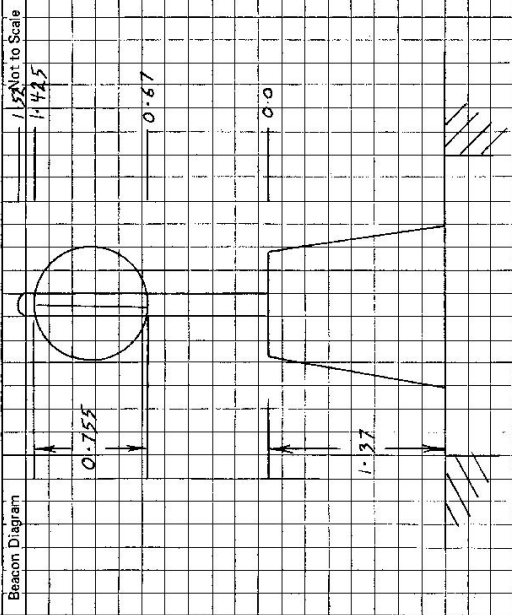


STATION **BOAMBEE PILLAR 5936**

Owner's Name: .....  
 Address: .....  
 Phone: .....

Current Occupant: .....  
 Address: .....  
 Phone: .....

Access Report of 1.1.8/19.7.7 was found suitable/unsuitable.  
 ACCESS



This section to be completed by officer constructing pillar.

Original station mark found/not found.

Description of mark: .....

Original beacon found/not found.

Description of beacon: .....

Height Top of Vanes to Top Mark: .....m.

Height of mark: .....m. above rock/cont. below G.L.

Diameter of Vanes .....m. Height of Cairn .....m.

Original Beacon has/has not been destroyed by me.

Date	Record of Station