

CENTRAL MAPPING AUTHORITY
Department of Lands

Trigonometrical Survey of N.S.W.

RECONNAISSANCE and MAINTENANCE REPORT

STATION YARRAGUNDRY

TS 5868

Co: Mitchell | Ph: Yarragundry
Map Sheet: Wagga Wagga | No: 8527
Inspected by: A. Patterson | Date: 10.11.16
Authority: Central Mapping Authority | Field Book:

This Trig. Station has been:

Note: Cross out word or words which do not apply

1. Completely cleared to permit 360° vision to surrounding Trigs.
2. ~~Cleared by James bearing~~ from Trig. Mast
3. Trig. Mast & Vanes have been painted white & black respectively.
4. The Trig. was unpiled/not unpiled, dimensions now being: ~~2.70 m above G.L.~~

Description of mark: ~~PILLAR~~ should be explicit, e.g. Steel plug, Brass plug, Balr, G.I. Pipe

Height of mark: ~~3.72~~ m above rock/concrete below G.L.

Height of Top Vanes to Top Mark: m. Diameter of Vanes (vertical): m.

Height of Cairn: m. Diameter of Cairn: m.

Length of Mast: m. (approximate if not unpiled)

5. A. set in conc/rock has been placed m. bearing °M from Trig. Mast

6. A. set in conc/soil has been placed m. bearing °M from Trig. Mast

7. A. set in conc/soil has been placed m. bearing °M from Trig. Mast

8. A. set in conc/rock has been placed m. bearing °M from Trig. Mast

9. Connection pillar to Old plug: 4.45 m. bearing 211°M (approx) of

10. Connection pillar to Nail: 3.72 m. bearing 249°M (approx) of

11. Connection to: m. bearing °M

12. Connection to: m. bearing °M

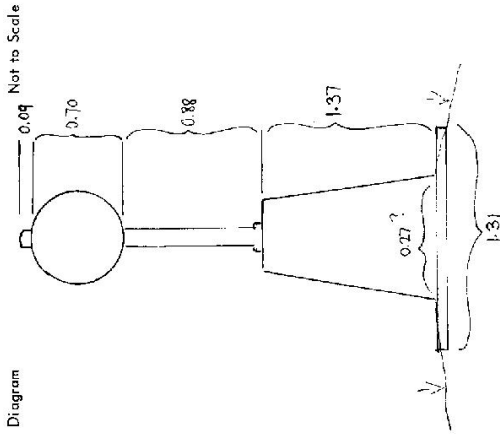
13. Diff. Ht. is m. above below

14. Diff. Ht. is m. above below

15. Diff. Ht. is m. above below

16. Diff. Ht. is m. above below

Prepared by: A. Patterson Checked: Noted on U.T.M. Card



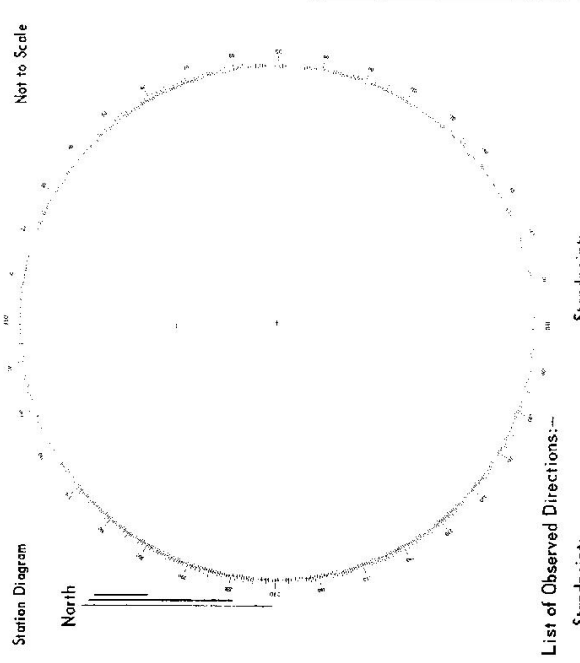
Date	Record of Station

Checked

STATION YARRAGUNDRY TS 5868

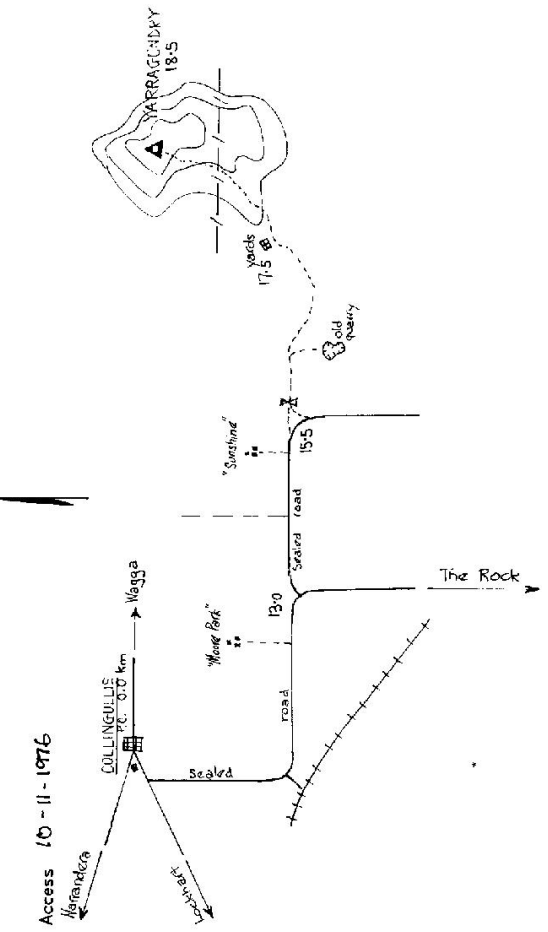
Owners Name: T.W. LANE
 Address: "Moore Park"
 Access 10 - 11 - 1976

Current Occupant: H.C. GUNTON
 Address: "Sunshine"



List of Observed Directions:-

Stationpoint:		Stationpoint:	
Station	Direction	Station	Direction



Access: From Collingullie P.O. take road to The Rock.
 At 13.0 km turn left, take sealed road.
 At 15.5 km see owners at "Sunshine" property.
 Take dirt track up hill past old quarry, negotiate contour banks to top of hill follow ridge past yards to fence.
 Access might be possible through fence, but easy walk from here.

RECONNAISSANCE and MAINTENANCE REPORT

This Trig. Station has been:-

Note: Cross out word or words which do not apply

1. Completely cleared to permit 360° vision to surrounding Trigs. LIMITED VISIBILITY 230° - 340°, 70° - 35°.
2. Cleared by lances bearing 35° - 230°, 345° - 280° from Trig. Mast
3. Trig. Mast & Vanes have been painted white & black respectively.
4. The Trig. was unpiled/~~not-unpiled~~, dimensions now being: BRASS plug (v)
 Concrete. ~~BRASS~~ should be explicit, e.g. Steel plug, Brass plug, Bolt, G.I. Pipe

Description of mark..... Concrete. ~~BRASS~~ should be explicit, e.g. Steel plug, Brass plug, Bolt, G.I. Pipe
 Height of mark..... 1.370 m above rock/concrete 1.370 m above G.L.
 Height of Top Vanes to Top Mark..... 1.470 m. Diameter of Vanes (vertical) 0.600 m.

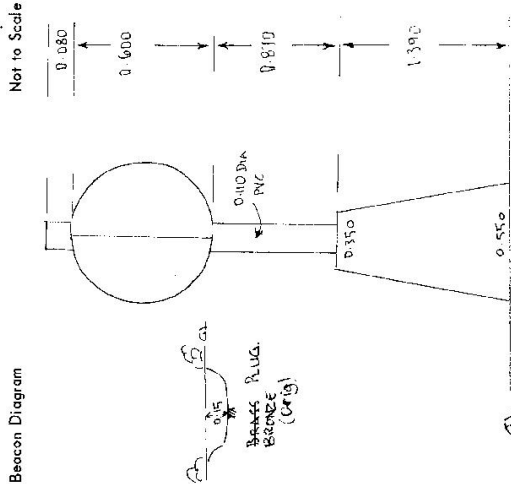
Height of Cairn..... m. Diameter of Cairn..... m.
 Length of Mast..... m. (approximate if not unpiled)
 Cu Nail in Conc. ~~found~~
 5. A. ~~BRASS~~ set in conc/soil has been placed..... 2.882 m. bearing 251.444°M from Trig. Mast
 6. A. ~~BRASS~~ set in conc/soil has been placed..... 2.143 m. bearing 219.200°M from Trig. Mast
 7. A..... set in conc/soil has been placed..... m. bearing.....°M from Trig. Mast
 8. A..... set in conc/rock has been placed..... m. bearing.....°M from Trig. Mast
 9. Connection: ~~BRASS~~ to ~~BRASS~~ : 2.815 m. bearing 339.244°M
 10. Connection:..... to..... m. bearing.....°M
 11. Connection:..... to..... m. bearing.....°M
 12. Connection:..... to..... m. bearing.....°M

13. Diff. Ht. PILLAR..... is..... m. above BRASS PLUG..... BRASS plug (v)
 below 1.580 m.
 14. Diff. Ht. PILLAR..... is..... m. above BRASS PLUG..... Cu Nail in conc
 below 1.435 m.
 15. Diff. Ht. BRASS PLUG..... is..... m. above BRASS PIN..... Cu Nail in conc.
 below 0.145 m.
 16. Diff. Ht. BRASS PIN..... is..... m. above.....
 below.....

Prepared by: *[Signature]* Checked: *[Signature]* Noted on U.T.M. Card

STATION: ~~5668~~ ARRAGUNDRY PILLAR
 Co: MITCHELL Ph: YARRAGUNDRY
 Map Sheet: WAGGA WAGGA No: 5327
 Inspected by: J. J. EGGLINGTON Date: 18th Oct 1977
 Authority: LANDS OFFICE WAGGA WAGGA Field Book: 27/744

Beacon Diagram



Date	Record of Station
5/1/73	This record transferred to page with station summary card 5668

Checked

STATION YARRAGUNDRY (P) TS 5868

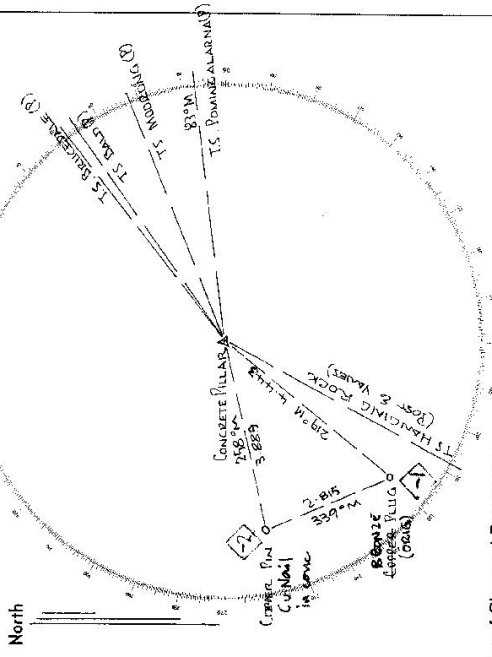
Owners Name.....I.R. 20660..... Current Occupant.....

Address..... Address.....

Access 18th Oct 1977

- 0.00 Km P.D. WAGGA
- 19.8 WESTERLY ALONG STURT HWY.
- 23.9 LEFT (SOUTH) ALONG GRAVEL ROAD.
- 24.1 GATE ON LEFT (EAST)
- 24.5 GATE (EAST)
- 24.9 GATE (EAST)
- 25.0 TURN SOUTH OFF FENCE AND FOLLOW TRACK AT ABOUT 140 M. TO RIDGE
- 25.75 TURN LEFT ALONG RIDGE FENCE THROUGH GATE THEN SOUTH ALONG RIDGE TO TRAG.
- 26.2 TRAG.

Station Diagram



List of Observed Directions:-

Standpoint: PILLAR		Standpoint: COPPER PILLAR	
Station	Direction	Station	Direction
TS HANGING ROCK	208° 45' 50"	TS PONGMAGARNA PILLAR	07° 00' 00"
COPPER PILLAR	219° 00' 50"	COPPER PILLAR	258° 00' 00"
COPPER PILLAR	257° 44' 00"	PILLAR	85° 51' 00"
TS BRIDGEABLE PILLAR	92° 17' 00"		
TS BALD PILLAR	94° 46' 00"		
Station	Direction	Station	Direction
TS HANGING PILLAR	68° 14' 50"		
TS PONGMAGARNA PILLAR	83° 00' 00"		

GEODETTIC SURVEY OF N.S.W.

CENTRAL MAPPING AUTHORITY

GEODETTIC STATION RECONNAISSANCE and MAINTENANCE REPORT

Description:

- 1. Cleared by lanes bearing..... *Note: Cross out word or words which do not apply*
- 2. Mast & Vanes have been painted white & black respectively.
- 3. The station/pillar was unpiled/not unpiled/constructed on..... 19....., dimensions now being: Description of mark..... should be explicit, e.g., S/Steel Pillar Plate, Steel plug, Brass plug, Bolt, G.I. Pipe
- Height of mark..... ^{above} _{below} rock/concrete; Mark is..... m. ^{above} _{below} G.L.
- Height of Top Vanes to Top Mark/Pillar plate..... m. Diameter of Vanes (vertical)..... m.
- Height of Cairn..... m. Diameter of Cairn..... m. Name Plate found/not found/placed.
- Length of Mast..... m. (approximate if not unpiled)
- 4. A..... set in conc./rock has been placed/found, bearing..... °M from Mast/Plug/Pillar
- 5. A..... set in conc./rock has been placed/found, bearing..... °M from Mast/Plug/Pillar
- 6. A..... set in conc./rock has been placed/found, bearing..... °M from Mast/Plug/Pillar
- 7. A..... set in conc./rock has been placed/found, bearing..... °M from Mast/Plug/Pillar
- 8. Action required:.....

STANDPOINT:

Mark	Direction	Horiz. Distance	Height Difference	Mark	Direction	Horiz. Distance	Height Difference
			above standpt.				above standpt.
			below standpt.				below standpt.
			above standpt.				above standpt.
			below standpt.				below standpt.
			above standpt.				above standpt.
			below standpt.				below standpt.
			above standpt.				above standpt.
			below standpt.				below standpt.
			above standpt.				above standpt.
			below standpt.				below standpt.

Prepared by: *Richard Clark*

Checked:

Noted on U.T.M. Card

Checked

STATION: **YARRAGUNDRY** No.: **5868**

MAP SHEETS SCALE 1:250 000 **WAGGA WAGGA** SCALE 1:100 000

INSPECTED BY: **H. CLARK** DATE: **27/10/87**

AUTHORITY: **CM A.** FIELD BOOK: **2433/19**

Station Diagram

Not to Scale

2735-2 D. West, Government Printer

STATION

TS 5868 YARRAGUNDRY

<p>Leas/owner's Name: <u>Russell Parr</u></p> <p>Address: <u>6 Rudd St Wagga</u></p> <p><u>HAS KEY TO LOCKED GATE</u></p> <p>Phone: <u>251673</u></p> <p>Access Report <u>027/10/1987</u> was found <u>useable/unavailable</u>.</p> <p><u>0.0</u> At intersection (lights) of Sturt Hwy and Baylis St head west along highway.</p> <p><u>4.91</u> Pass road to Culcairn/Albury/Kapooka on LHS follow Sturt Hwy.</p> <p><u>19.05</u> Turn left onto gravel road "12 mile road"</p> <p><u>23.34</u> Turn left off road thru gate.</p> <p><u>23.41</u> Pass occupants house on LHS.</p> <p><u>23.49</u> Pass track to sheds on LHS.</p> <p><u>23.55</u> Thru iron gate (could be locked see access owner)</p> <p><u>23.63</u> Pass iron gate on RHS follow track straight ahead.</p> <p><u>23.92</u> Thru iron gate follow track straight ahead.</p> <p><u>24.32</u> Thru iron gate.</p> <p><u>24.38</u> Cross small gully turn right follow track uphill.</p> <p><u>25.18</u> Thru iron gate head towards trig</p> <p><u>25.73</u> YARRAGUNDRY GS.</p>	<p>Current Occupant: <u>Peter Smythe</u></p> <p>Address: <u>on PROPERTY</u></p> <p><u>HAS KEY TO GATE IF HOME</u></p> <p>Phone:</p>
--	---

Not to Scale	

This section to be completed by officer constructing pillar.

Original station mark found/not found.

Description of mark:

Original beacon found/not found.

Description of beacon:

Height Top of Vanes to Top Mark:m.

Height of mark:m. above G.L. below G.L.

Diameter of Vanes:m. Height of Cairnm.

Original Beacon has/has not been destroyed by me.

IMPORTANT PLEASE NOTE

Access Owner : Mr E Shultz Johnson St Wagga. His son owns and works at South west Stockfoods Moorong St Wagga.

Date	Record of Station