

CENTRAL MAPPING AUTHORITY
Department of Lands

Trigonometrical Survey of N.S.W.

New Station As Heritage
STATION RED HILL NEW TS 5825

RECONNAISSANCE and MAINTENANCE REPORT

This Trig. Station has been:-

Note: Cross out word or words which do not apply

1. Completely cleared to permit 360° vision to surrounding Trigs.
2. Cleared by lanes bearing..... from Trig. Mast
3. Trig. Mast & Vanes have been painted white & black respectively.
4. The Trig. was unpiled/not unpiled, dimensions now being:

Description of mark..... should be explicit, e.g. Steel plug, Brass plug, Bolt, G.I. Pipe
 Height of mark..... m above rock/concrete m below G.L.
 Height of Top Vanes to Top Mark..... m Diameter of Vanes (vertical)..... m.
 Height of Cairn..... m Diameter of Cairn..... m.
 Length of Mast..... m. (approximate if not unpiled)

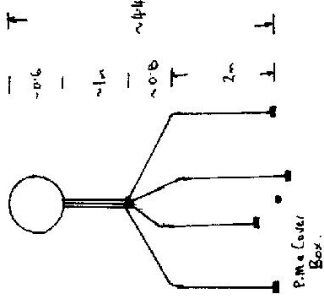
5. A..... set in conc/rock has been placed..... m. bearing.....°M from Trig. Mast
6. A..... set in conc/soil has been placed..... m. bearing.....°M from Trig. Mast
7. A..... set in conc/soil has been placed..... m. bearing.....°M from Trig. Mast
8. A..... set in conc/rock has been placed..... m. bearing.....°M from Trig. Mast

9. Connection..... to..... m. bearing.....°M
10. Connection..... to..... m. bearing.....°M
11. Connection..... to..... m. bearing.....°M
12. Connection..... to..... m. bearing.....°M

13. Diff. Ht. is..... m. above below
14. Diff. Ht. is..... m. above below
15. Diff. Ht. is..... m. above below
16. Diff. Ht. is..... m. above below

Prepared by: K.J. HADLOW 26-10-76 Checked: *28/2/2022* Noted on U.T.M. Card

Co: GOULBURN | Ph: ALBURY
 Map Sheet: ALBURY | No: B225-N
 Inspected by: K.J. HADLOW | Date: 20-10-76
 Authority: C.M.A | Field Book:
 Beacon Diagram: Not to Scale



Date	Record of Station

Checked

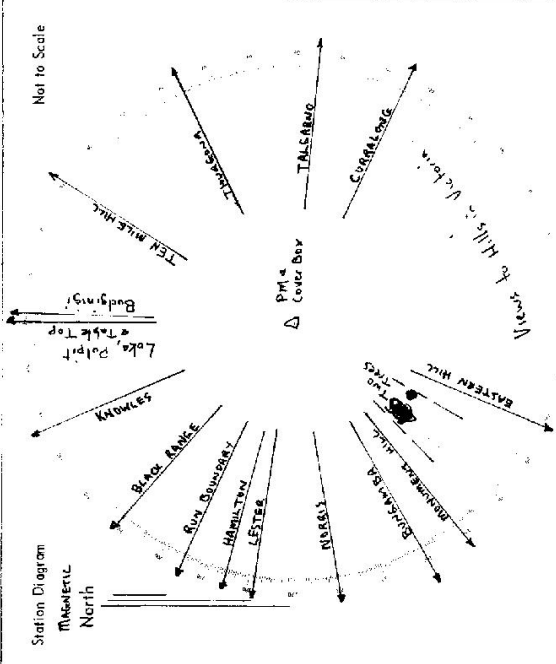
STATION RED HILL NEW TS 5825

Owners Name: MRS. HERMAN
 Address: THURGOONA
 Current Occupant:
 Address:

Access Km 20-10-1976
 0-0 Five Ways North Albury. Take Union Road towards East.
 1-8 Subway.
 2-3 Turn Left
 2-6 Turn Right
 4-2 Drive-In Theatre on right.
 4-7 T-Junction. Proceed straight ahead to locked gate.
 4-9 T.S.

To obtain key or on first visit approach owner as below:

- 00 At Gate. Proceed South.
- 1-2 Turn Left
- 2-1 Turn Left
- 2-9 Turn Left onto driveway
- 2-95 Gate.
- 3-0 House on Left (Owners residence.)



List of Observed Directions:-

Standpoint:	
Station	Direction
Standpoint:	
Station	Direction

CENTRAL MAPPING AUTHORITY
Department of Lands

Trigonometrical Survey of N.S.W.

Now Known As: HERRIDGE
STATION RED HILL (NEW) GS 5825

This Trig. Station has been:-

Note: Cross out word or words which do not apply

1. Completely cleared to permit 360° vision to surrounding Trigs. ✓
2. Cleared by lanes bearing from Trig. Mast
3. Trig. Mast & Vanes have been painted white & black respectively. ✓
4. The Trig. was unpiled/~~not supplied~~, dimensions now being: ~~.....~~

Description of mark S/S Pin in cover box should be explicit, e.g. Steel plug, Brass plug, Bolt, G.I. Pipe

Height of mark m above rock/concrete ~~.....~~ G.L.
Height of Top Vanes to Top Mark 5.34 m. ✓ Diameter of Vanes (vertical) 0.92 m. ✓

Height of Cairn m. Diameter of Cairn m.
Length of Mast m. (approximate if not unpiled)

5. A Cu. Nail set in conc/~~rock~~ has been placed S. 358 m. bearing 26.0 M from Trig. Mast
6. A DMR mark set in conc/~~rock~~ has been placed found placed S. 230 m. bearing 5.0 M from Trig. Mast
7. A set in conc/soil has been placed m. bearing M from Trig. Mast
8. A set in conc/rock has been placed m. bearing M from Trig. Mast

9. Connection Cu. Nail to DMR mark 2547 m. bearing 319.0 M

10. Connection to m. bearing M

11. Connection to m. bearing M

12. Connection to m. bearing M

13. Diff. Ht. Cu. Nail in conc is 0.183 m. ~~above~~ S/S Pin

14. Diff. Ht. DMR Mark is 0.039 m. ~~above~~ S/S Pin

15. Diff. Ht. is m. ~~above~~

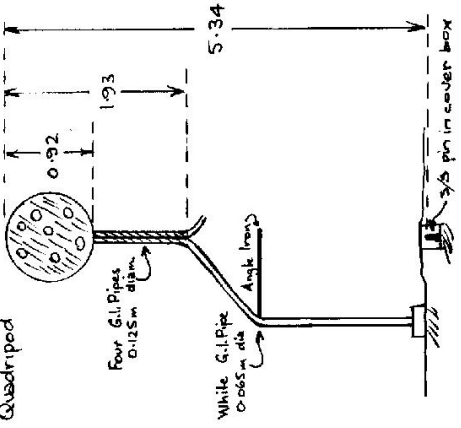
16. Diff. Ht. is m. ~~below~~

Prepared by: [Signature] Checked: 1/5/77 Noted on U.T.M. Card

Co: Soulburn Ph: Albury
Map Sheet: A18064 No: 8225
Inspected by: A. Sivertsen Date: 8.12.76
Authority: CMA Field Book: IS19

Beacon Diagram Not to Scale

Steel Quadripod



Date

Record of Station

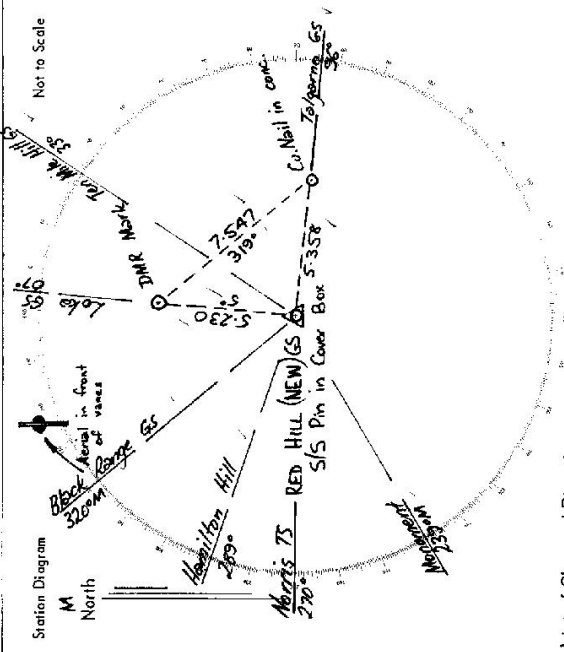
Checked

STATION Red Hill (New) G-S TS 5825

Owners Name: Mrs. Heverson
 Current Occupant:
 Address: Thurgooona
 Address:

Access 2WD Locked gate. Key from Geodetic.
 3-12-1976
 O.C km. Intersection of HOME & RIVERINA HWY'S. Sign HOME DAM S-A-FERRACANE
 0.1 Take RIVERINA HWY. west.
 2.75 Bridge over railway.
 5.3 Pass airport entrance on LHS ✓
 6.5 Turn left into ST. JOHNS ROAD ✓
 6.7 Road intersection. Go through locked gate on RHS. ✓
 △

Owners house
 5.3 Pass 'ST JOHNS RD' on LHS
 6.1 Turn left 'TABLE TOP LA'
 7.0 Wreckers yard on RHS
 Owners house on LHS



List of Observed Directions:-

Standpoint: S/S Pin		Standpoint: Co. Nail	
Station	Direction	Station	Direction
TALGARDNO TS	359 59 60	TALGARDNO TS	359 59 60
DIME MARK	269 14	S/S Pin	180 06
TEN MILE HILL GS	298 17 27	DIME MARK	224 00
Co. Nail	0 06	TEN MILE HILL GS	298 15 07
Station	Direction	Station	Direction

CENTRAL MAPPING AUTHORITY
Department of Lands

Trigonometrical Survey of N.S.W.

RECONNAISSANCE and MAINTENANCE REPORT

This Trig. Station has been:-

Note: Cross out word or words which do not apply

1. Completely cleared to permit 360° vision to surrounding Trigs.
2. Cleared by lanes bearing from Trig. Mast
3. Trig. Mast & Vanes have been painted white & black respectively. ✓
4. The Trig. ~~was completely re-erected~~ ^{constructed on 21.2.77} ~~re-erected~~, dimensions now being: should be explicit, e.g. Steel plug, Brass plug, Bolt, G.I. Pipe

Description of mark Conc. Obs. Pillar m above rock/concrete m below G.L.
 Height of mark m
 Height of Top Vanes to Top Mark 3.750 m. Diameter of Vanes (vertical) 0.920 m.
 Height of Cairn m. Diameter of Cairn m.

5. A Cu. Nail set in conc/rock has been found 5.356 m. bearing 96 °M from Trig. Mast
6. A DMR mark set in conc/soil has been found 5.233 m. bearing 06 °M from Trig. Mast
7. A set in conc/soil has been placed m. bearing °M from Trig. Mast
8. A set in conc/rock has been placed m. bearing °M from Trig. Mast

9. Connection Cu. Nail to DMR mark 7.541 m. bearing 319 °M

10. Connection to m. bearing °M

11. Connection to m. bearing °M

12. Connection to m. bearing °M

13. Diff. Ht. Cu. Nail in conc is 1.403 m. below Pillar Plate

14. Diff. Ht. DMR mark in conc is 1.551 m. below Pillar Plate

15. Diff. Ht. is m. above below

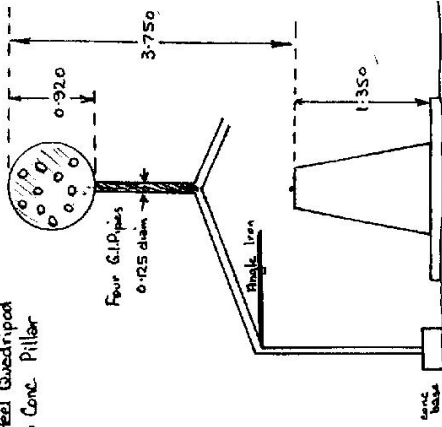
16. Diff. Ht. is m. above below

Prepared by: A. Smith 15.9.77 Checked: A. Smith Noted on U.T.M. Card

Now Known As: HERRIDGE
STATION RED HILL (NEW) GS (Pillar)

Co: Goulburn | Ph: Albury TS. 5825
 Map Sheet: Albury | No: 8225
 Inspected by: H. Border | Date: 3.3.77
 Authority: CMA | Field Book: 1519

Beacon Diagram
Steel Quadrupod
& Conc. Pillar



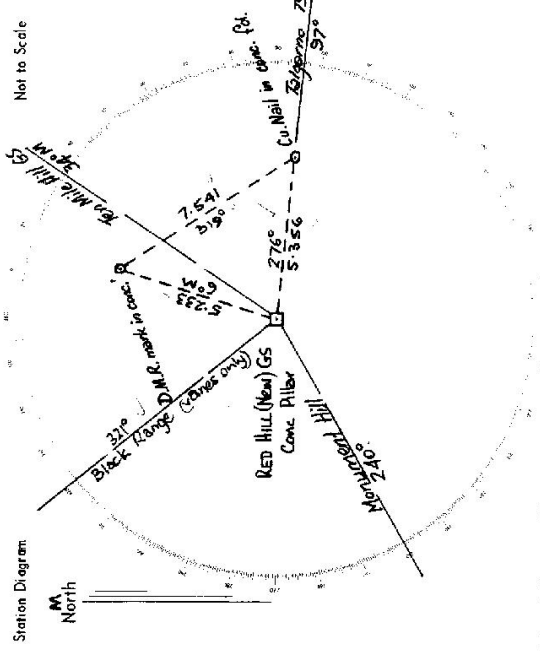
Date: 21.2.77 | Record of Station
 Pillar Placed. Name plate not placed

Checked

STATION Red Hill (New) GS (Pillar) TS 5825

Owners Name.....
 Current Occupant.....
 Address.....
 Address.....

Access
 Original access OK.



List of Observed Directions:-

Station	Conc.	OP	Direction	Station	Direction
TALGARNO TS	563	57	60		
DWR mark	269	13			
TEN MILE HILL GS	238	17	35		
Cul. Nail	0	01			
Station			Direction	Station	Direction

LAND INFORMATION CENTRE

GEODETIC SURVEY OF N.S.W.

GEODETIC STATION RECONNAISSANCE and MAINTENANCE REPORT

Description:

Note: Cross out word or words which do not apply

1. Cleared by Janes bearing. CAN SEE BLACK RANGE & TALGARNO from Trig. Mast
HUBY MIDDUGH DEVELOPMENT COOPERATION HAVE PLANTED TREES AROUND TRIG MAST
2. Mast & Vanes have been painted white & black respectively. ✓ (STEEL GUARDED OVER CONE PILLAR)
3. The station/pillar was unpiled/not unpiled/constructed on..... 19....., dimensions now being:

Description of mark..... should be explicit, e.g., S/Steel Pillar Plate, Steel plug, Brass plug, Bolt, G.I. Pipe

Height of mark..... m. above rock/concrete; Mark is..... above G.L. below to be checked

Height of Top Vanes to Top Mark/Pillar plate..... m. Diameter of Vanes (vertical)..... 0.92..... m.

Height of Cairn..... m. Diameter of Cairn..... m. Name Plate found/not found/placed.

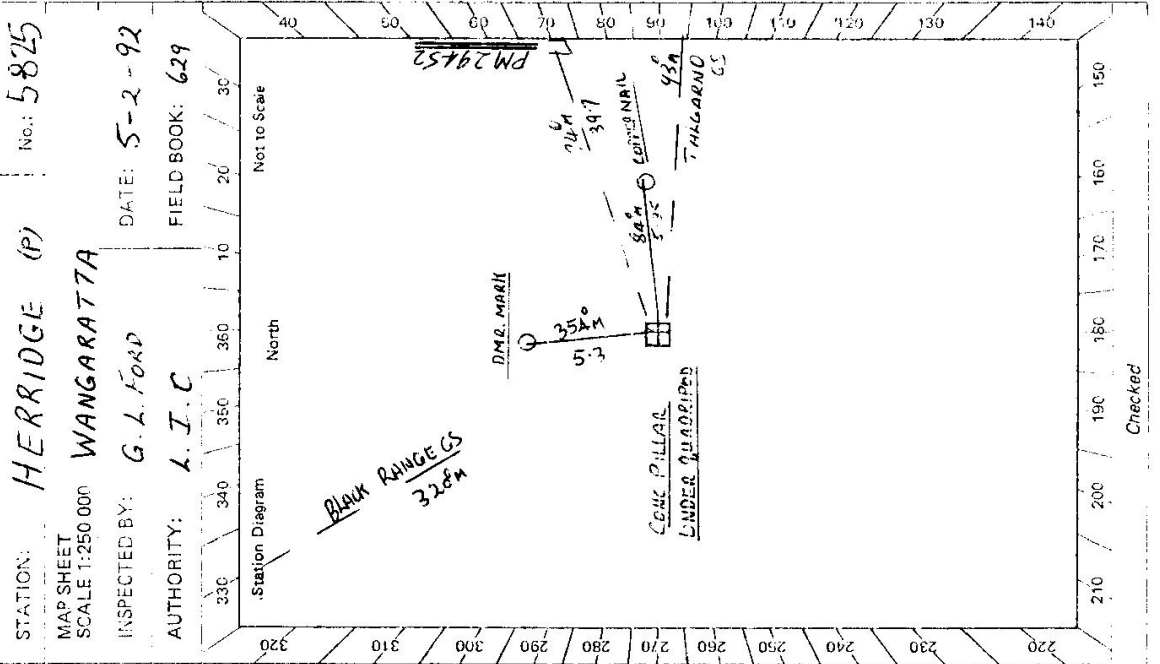
Length of Mast..... m. (approximate if not unpiled)

4. A... COPPER NAIL..... set in conc/rock has been placed/found, bearing..... 84° M from Mast/Plug/Pillar
5. A... D.M.B. MARK..... set in conc/rock has been placed/found, bearing..... 354° M from Mast/Plug/Pillar
6. A... PM 29452..... (397 m) set in conc/rock has been placed/found, bearing..... 74° M from Mast/Plug/Pillar
7. A..... set in conc/rock has been placed/found, bearing..... ° M from Mast/Plug/Pillar

8. Action required:.....

STANDPOINT:					STANDPOINT:				
Mark	Direction	Horiz. Distance	Height Difference	Mark	Direction	Horiz. Distance	Height Difference		
			above standpt.				above standpt.		
			below				below		
			above standpt.				above standpt.		
			below				below		
			above standpt.				above standpt.		
			below				below		
			above standpt.				above standpt.		
			below				below		
			above standpt.				above standpt.		
			below				below		

Prepared by: S. Ford 11/5/92 Checked: 23/6/92 Noted on U.T.M. Card



STATION: HERRIDGE (P) No.: 5825
 MAP SHEET SCALE 1:250 000 WANGARATTA
 INSPECTED BY: G. L. FORD DATE: 5-2-92
 AUTHORITY: L. I. C. FIELD BOOK: 629

2730-2 D. West, Government Printer

STATION **HERRIDGE (P) TS 5825**

Owner's Name: **ALBURY WOODONGA DEVELOPMENT CORPORATION**
 Address: **ALBURY**
 Phone:

Current Occupant:

Address:

Phone:

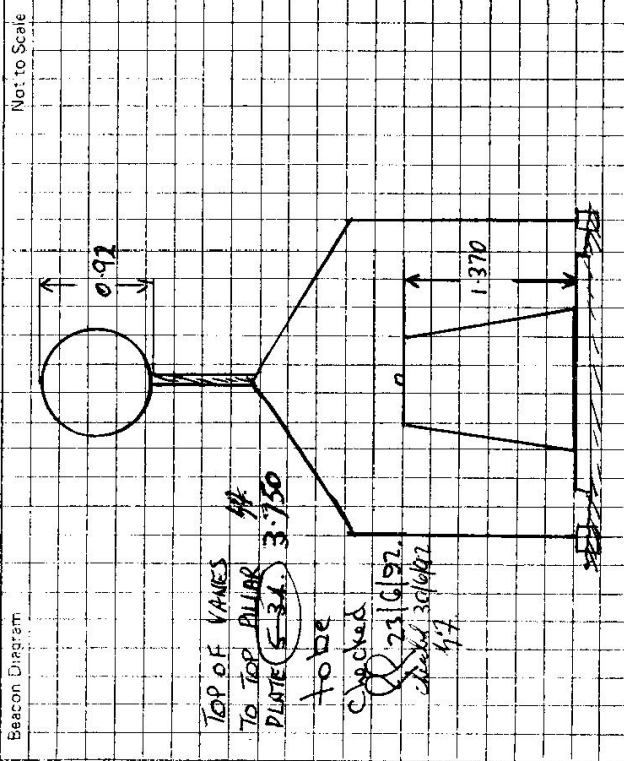
ACCESS

Access Report of **5.2.1992** was found suitable/unsuitable.

- 0.00 INTERSECTION OF HUME & RIVERINA H.WYS
 [SIGN HUME DAM / AIR PORT EAST ALONG RIVERINA H.W.Y.]
- 0.15 BRIDGE OVER RAILWAY LINE
- 2.92 PASS AIR PORT ENTRANCE ON L.H.S.
- 4.88 TURN LEFT INTO ELIZABETH MITCHEL DRIVE / RACE COURSE
- 6.29 TURN RIGHT AT ROUNDABOUT INTO CORRY'S RD
 [CLOSED SEALED ROAD ON R.H.S.]
- 7.05 END OF ROAD [GRAVEL TRACK ON L.H.S.]
 GO THROUGH LOCKED GATE IN CORNER UP BANK
 [CMA-ROCK FITTED]

7.27 ON TOP OF RISE AT TRIG.

[10 MINS FROM ALBURY]



This section to be completed by officer constructing pillar.

Original station mark found/not found.

Description of mark:

Original beacon found/not found.

Description of beacon:

Height Top of Vanes to Top Mark:m.

Height of mark:m. above G.L.
 below rock/conc.m. below

Diameter of Vanes:m. Height of Cairn:m.

Original Beacon has/not been destroyed by me.

Date	Record of Station