

CENTRAL MAPPING AUTHORITY  
Department of Lands

Trigonometrical Survey of N.S.W.

RECONNAISSANCE and MAINTENANCE REPORT

This Trig. Station has been:

Note: Cross out word or words which do not apply

1. Completely cleared to permit 360° vision to surrounding Triang.
2. Cleared by lanes bearing 29° 45' 50" + 238° 6' 28" + 202° 24' 11" from Trig. Mast
3. Trig. Mast & Vanes have been painted white & black respectively. ✓
4. The Trig. was unpiled/~~not unpiled~~, dimensions now being:

Description of mark..... should be explicit, e.g. Steel plug, Brass plug, Batr, G.I. Pipe

Height of mark..... m above rock/concrete ..... m above G.L.

Height of Top Vanes to Top Mark..... m Diameter of Vanes (vertical)..... m.

Height of Cairn..... m. Diameter of Cairn 2.15 m.

Length of Mast 2.7 m. (approximate if not unpiled)

5. A.I.P. set in conc./rock has been placed..... m. bearing.....°M from Trig. Mast

6. A.I.P. set in conc./soil has been placed..... m. bearing.....°M from Trig. Mast

7. A..... set in conc./soil has been placed..... m. bearing.....°M from Trig. Mast

8. A..... set in conc./rock has been placed..... m. bearing.....°M from Trig. Mast

9. Connection..... to..... m. bearing.....°M

10. Connection..... to..... m. bearing.....°M

11. Connection..... to..... m. bearing.....°M

12. Connection..... to..... m. bearing.....°M

13. Diff. Ht. .... is..... m. above below

14. Diff. Ht. .... is..... m. above below

15. Diff. Ht. .... is..... m. above below

16. Diff. Ht. .... is..... m. above below

Prepared by:

Checked:

Noted on U.T.M. Card

2-4-88

STATION METHUEN I.S. TS 5817

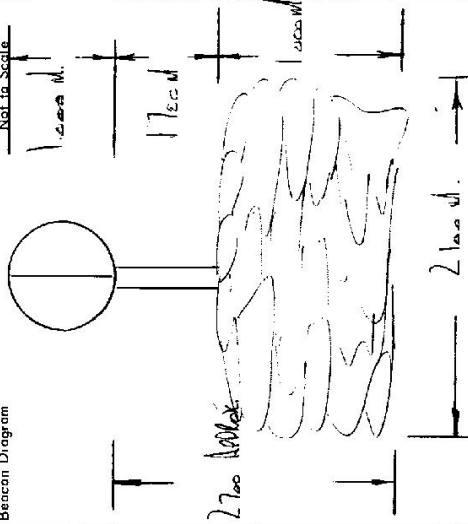
Co. R. BULLOCK PH: METHUEN

Map Sheet: BANLUKE No: 8821

Inspected by: P. POTTS Date: 15/10/76

Authority: C.M.A. Field Book: 61/15

Beacon Diagram



Date	Record of Station

Checked



CENTRAL MAPPING AUTHORITY  
Department of Lands

Trigonometrical Survey of N.S.W.

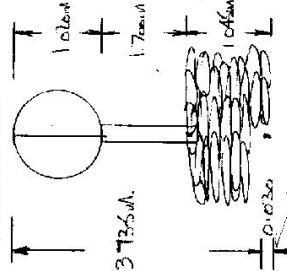
RECONNAISSANCE and MAINTENANCE REPORT

This Trig. Station has been:-

Note: Cross out word or words which do not apply

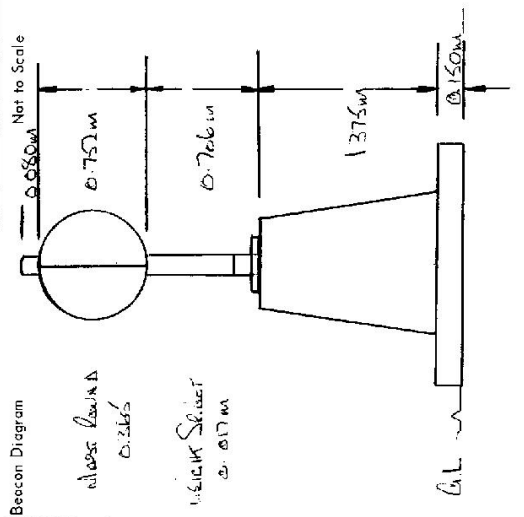
1. Completely cleared to permit 360° vision to surrounding Trig.
  2. Cleared by lances bearing 108° to 322 to 279, 168° to 175° back to 102° from Trig. Mast. *Approximate only.*
  3. Trig. Mast & Vanes have been painted white & black respectively. ✓
  4. The Trig. was unpiled/not unpiled, dimensions now being: *Original height Mast found ~~not found~~*  
Description of mark: *Concrete block with black* should be explicit, e.g. Steel plug, Brass plug, Bolt, G.I. Pipe
- Height of mark: 1.375 m above ~~below~~ *each* concrete *each* G.L. *1.525 m above G.L.*
- Height of Top Vanes to Top Mark: ..... m. Diameter of Vanes (vertical): 752 ..... m.
- Height of Cairn: ..... m. Diameter of Cairn: ..... m.
- Length of Mast: ..... m. (approximate if not unpiled)

5. *Found* ~~Found~~ in conc/rock has been placed 3.531 m, bearing 295° from Trig. Mast *found*
6. A.C.I.P. set in conc/soil has been placed 2.505 m, bearing 238° from Trig. Mast *found*
7. A.C.I.P. set in conc/soil has been placed 5.822 m, bearing 283° from Trig. Mast *found*
8. A. set in conc/rock has been placed ..... m, bearing .....° from Trig. Mast *NEAR SURFACE*
9. Connection: to ..... m, bearing .....°M
10. Connection: to ..... m, bearing .....°M
11. Connection: to ..... m, bearing .....°M
12. Connection: to ..... m, bearing .....°M
13. Diff. Ht. *found* ~~found~~ *is* 3.666 m *above* ~~below~~ *Trig. Mast*
14. Diff. Ht. *found* ~~found~~ *is* 1.465 m *above* ~~below~~ *Trig. Mast*
15. Diff. Ht. *found* ~~found~~ *is* 0.088 m *above* ~~below~~ *Trig. Mast*
16. Diff. Ht. *found* ~~found~~ *is* ..... m *above* ~~below~~ *Trig. Mast*



Prepared by: *P. BERTS* 14/3/77 Checked: *P. BERTS* 23/5/77  
Noted on U.T.M. Card

STATION: *TRIGONOMETRIC S.S. KILLARIE TS 5817*  
Co: *REXBURGH* Ph: *WETHELMERE*  
Map Sheet: *BATHURST* No: *8831.5*  
Inspected by: *P. BERTS* Date: *14/3/77*  
Authority: *C.M.L.A.* Field Book: *1665*



Beacon Diagram  
*class beam*  
*0.761*  
*1.375m*  
*G.L.*  
*0.751m*  
Date: *14/3/77* Record of Station: *RECONNAISSANCE PLATE PLACED*  
*14/3/77* *class beam* *PLATE PLACED*  
Checked

7.4.94

CENTRAL MAPPING AUTHORITY

GEODETIC SURVEY OF N.S.W.

GEODETIC STATION RECONNAISSANCE and MAINTENANCE REPORT

Description:

1. Cleared by lanes bearing.....  
 Note: Cross out word or words which do not apply  
 from Trig, Mast

2. Mast & Vanes have been painted white & black respectively.

3. The station/pillar was unpiled/not unpiled/constructed on..... 19....., dimensions now being:

Description of mark.....should be explicit, e.g., S/Steel Pillar Plate, Steel plug, Brass plug, Bolt, G.I. Pipe

Height of mark.....m. <sup>above</sup> rock/concrete; Mark is.....m. <sup>above</sup> G.L. <sub>below</sub>

Height of Top Vanes to Top Mark/Pillar plate .....m. Diameter of Vanes (vertical).....m.

Height of Cairn.....m. Diameter of Cairn.....m. Name Plate found/not found/placed.

Length of Mast.....m. (approximate if not unpiled)

4. A.....set in conc/rock has been placed/found, bearing.....° M from Mast/Plug/Pillar

5. A.....set in conc/rock has been placed/found, bearing.....° M from Mast/Plug/Pillar

6. A.....set in conc/rock has been placed/found, bearing.....° M from Mast/Plug/Pillar

7. A.....set in conc/rock has been placed/found, bearing.....° M from Mast/Plug/Pillar

8. Action required: Pillar mast - James St. Name Plate has been removed  
Base has not been painted STANDPOINT: Hill requires suchering

Mark	Direction	Horiz. Distance	Height Difference	Mark	Direction	Horiz. Distance	Height Difference
			above standpt.				above standpt.
			below				below
			above standpt.				above standpt.
			below				below
			above standpt.				above standpt.
			below				below
			above standpt.				above standpt.
			below				below
			above standpt.				above standpt.
			below				below
			above standpt.				above standpt.
			below				below
			above standpt.				above standpt.
			below				below

Prepared by:

Checked:

Noted on U.T.M. Card

Sr 2735-1

STATION: Yetholme No.: 5817  
 MAP SHEET Bothurst  
 SCALE 1:250 000  
 INSPECTED BY: J Sudog DATE: 9.3.19  
 AUTHORITY: CMA FIELD BOOK: 1308

Station Diagram  
 Not to Scale

Checked

CENTRAL MAPPING AUTHORITY

GEODETIC SURVEY OF N.S.W.

GEODETIC STATION RECONNAISSANCE and MAINTENANCE REPORT

Description: *Note: Cross out word or words which do not apply*

1. Cleared by lanes bearing.....
2. Mast & Vanes have been painted white & black respectively.
3. The ~~section~~/pillar was ~~unpiled~~/not unpiled/~~constructed~~ on..... 19.81....., dimensions now being:  
 Description of mark: ~~STEEL PILLAR~~ should be explicit, e.g., S/Steel Pillar Plate, Steel plug, Brass plug, Bolt, G.I. Pipe  
 Height of mark..... 1.375.....m. <sup>above</sup> ~~below~~ ~~rock/concrete~~; Mark is..... 5.75.....m. <sup>above</sup> ~~below~~ G.L.  
 Height of Top Vanes to Top Mark/Pillar plate..... 1.450.....m. Diameter of Vanes (vertical)..... 0.750.....m.  
 Height of Cairn.....m. Diameter of Cairn.....m. Name Plate found/not found/placed.  
 Length of Mast.....m. (approximate if not unpiled)
4. A..... set in conc/rock has been placed/found, bearing..... °M from Mast/Plug/Pillar
5. A..... set in conc/rock has been placed/found, bearing..... °M from Mast/Plug/Pillar
6. A..... set in conc/rock has been placed/found, bearing..... °M from Mast/Plug/Pillar
7. A..... set in conc/rock has been placed/found, bearing..... °M from Mast/Plug/Pillar
8. Action required:.....

STANDPOINT:

Mark	Direction	Horiz. Distance	Height Difference	Mark	Direction	Horiz. Distance	Height Difference
			above standpt				above standpt
			below				below
			above standpt				above standpt
			below				below
			above standpt				above standpt
			below				below
			above standpt				above standpt
			below				below
			above standpt				above standpt
			below				below

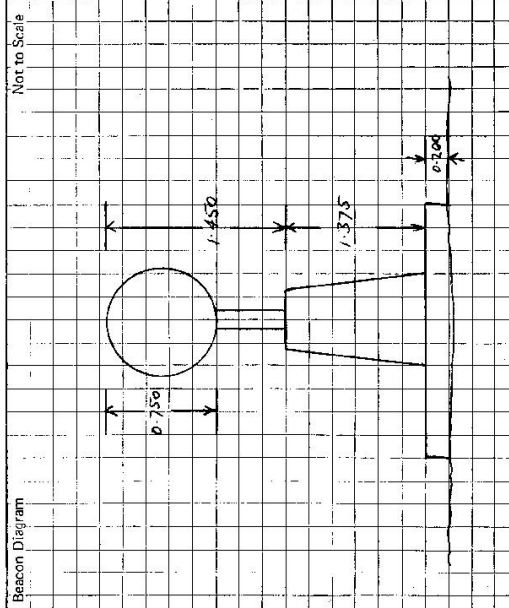
Prepared by: *A*

Checked: *A*

Noted on U.T.M. Card *3/18/81*

Checked

STATION: *YETHOLME GS (P)* No: *5817*  
 MAP SHEET SCALE 1:250 000  
 INSPECTED BY: *D TURNER* DATE: *21.1.81*  
 AUTHORITY: *C.M.A.* FIELD BOOK:  
 Station Diagram  
 North  
 Not to Scale  
 PILLAR DIMENSIONS ONLY  
 +  
 320 310 300 290 280 270 260 250 240 230 220  
 40 50 60 70 80 90 100 110 120 130 140  
 210 200 190 180 170 160 150

STATION <b>YETHOLME GS (P) TS 5817</b>	Owner's Name: ..... Address: ..... Phone: ..... Current Occupant: ..... Address: ..... Phone: ..... Access Report of ...../19..... was found suitable/unsuitable.
Beacon Diagram Not to Scale	 <p>This section to be completed by officer constructing pillar.</p> Original station mark found/not found. Description of mark: ..... Original beacon found/not found. Description of beacon: ..... Height Top of Vanes to Top Mark .....m. Height of mark .....m. above G.L. below rock/conc. ....m. Diameter of Vanes .....m. Height of Cairn .....m. Original Beacon has/has not been destroyed by me.
Date	Record of Station

