

CENTRAL MAPPING AUTHORITY
Department of Lands

Trigonometrical Survey of N.S.W.

RECONNAISSANCE and MAINTENANCE REPORT

STATION **WISEMAN TS 5643**

This Trig. Station has been:-

Note: Cross out word or words which do not apply

1. Completely cleared to permit 360° vision to surrounding trig.
2. Cleared by lanes bearing 25°M to 105°M; 205°M to 320°M; 320°M to 340°M; 340°M to 50°M from Trig. Mast
3. Trig. Mast & Vanes have been painted white & black respectively. ✓
4. The Trig. was unpiled/~~not supported~~, dimensions now being:

Description of mark **Concrete Pillar** should be explicit, e.g. Steel plug, Brass plug, Bolt, G.I. Pipe

Height of mark m above rock/concrete 1.3 m above G.L.

Height of Top Vanes to Top Mark 1.47 m. Diameter of Vanes (vertical) 0.75 m.

Height of Cairn m. Diameter of Cairn m.

Length of Mast 1.5 m. (approximate) ~~1.47 m~~

5. A Trig. Plug set in conc/rock has been placed 2.740 m. bearing 327°M from Trig. Mast

6. An ~~SSM~~ set in conc/rock has been placed 1.375 m. bearing 58°M from Trig. Mast

7. A set in conc/soil has been placed m. bearing °M from Trig. Mast

8. A set in conc/rock has been placed m. bearing °M from Trig. Mast

9. Connection Plug to SSM : 3.070 m. bearing 121°M

10. Connection to m. bearing °M

11. Connection to m. bearing °M

12. Connection to m. bearing °M

13. Diff. Ht. Trig Plug is 1.435 m. ~~above~~ ^{below} ~~Filler Plate~~

14. Diff. Ht. SSM 8476 is 1.515 m. ~~below~~ ^{above} ~~Filler Plate~~

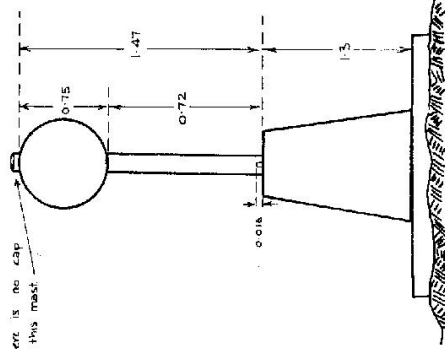
15. Diff. Ht. is m. ~~below~~ ^{above}

16. Diff. Ht. is m. ~~below~~ ^{above}

Prepared by: *A. Hunt* Checked: *J. R. [Signature]* Noted on U.T.M. Card

Co: **Northumberland** Ph: **Spencer**
Map Sheet: **ST. ALBANS** No: **9031**
Inspected by: **T. Morrison** Date: **5-2-75**
Authority: **C.M.A.** Field Book: **1432**

Beacon Diagram Not to Scale



Date	Record of Station

Checked

STATION WISEMAN TS 5643	Owners Name..... Address..... Access..... Current Occupant..... Address..... Access.....																								
Station Diagram Not to Scale 	List of Observed Directions:- <table border="1" style="width: 100%; border-collapse: collapse;"> <thead> <tr> <th colspan="2">Standpoint: Pillar</th> <th colspan="2">Standpoint: Trig. Plug</th> </tr> <tr> <th>Station</th> <th>Direction</th> <th>Station</th> <th>Direction</th> </tr> </thead> <tbody> <tr> <td>KIEF TS O.P.</td> <td>369 59 60</td> <td>KIEF TS O.P.</td> <td>559 59 60</td> </tr> <tr> <td>Trig. Plug</td> <td>21 20</td> <td>SSM 8476</td> <td>174 45</td> </tr> <tr> <td>SSM 8476</td> <td>111 33</td> <td>Pillar Spigot</td> <td>261 21</td> </tr> <tr> <td>WONGA TS</td> <td>303 01 44</td> <td>WONGA TS</td> <td>303 07 02</td> </tr> </tbody> </table>	Standpoint: Pillar		Standpoint: Trig. Plug		Station	Direction	Station	Direction	KIEF TS O.P.	369 59 60	KIEF TS O.P.	559 59 60	Trig. Plug	21 20	SSM 8476	174 45	SSM 8476	111 33	Pillar Spigot	261 21	WONGA TS	303 01 44	WONGA TS	303 07 02
Standpoint: Pillar		Standpoint: Trig. Plug																							
Station	Direction	Station	Direction																						
KIEF TS O.P.	369 59 60	KIEF TS O.P.	559 59 60																						
Trig. Plug	21 20	SSM 8476	174 45																						
SSM 8476	111 33	Pillar Spigot	261 21																						
WONGA TS	303 01 44	WONGA TS	303 07 02																						