

STATION ROSE TS 5641

Owners Name: Current Occupant:

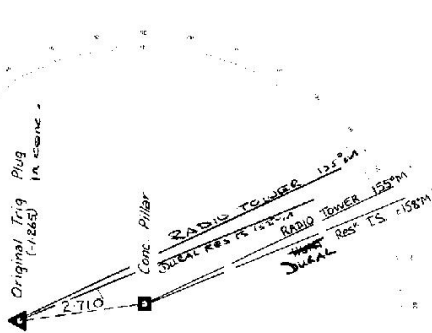
Address: Address:

Access:

Not to Scale

Station Diagram

North



List of Observed Directions:-

Station	Direction	Station	Direction
Original Trig Plug	359 59 60	Radio Tower 125.2M	350 59 60
Conc. Pillar	154 01	Radio Tower 155PM	154 00
Radio Tower 125.2M	357 19 46	Radio Tower 155PM	357 20 02

Station	Direction	Station	Direction

Department of Lands

RECONNAISSANCE and MAINTENANCE REPORT

Integration Survey of N.S.W.

STATION **TS 5641 ROSE [P]**

This Trig. Station has been:-

Note: Cross out word or words which do not apply

1. Completely cleared to permit 360° vision to surrounding Trigs.
2. Cleared by lanes bearing..... from Trig. Mast
3. Trig. Mast & Vanes have been painted white & black respectively.
4. The Trig. was unplied/not unplied, dimensions now being.
Description of mark..... should be explicit, e.g. Steel plug, Brass plug, Bolt, Concrete Pillar
Height of mark..... m above rock/concrete m above G.L.
Height of Top Vanes to Top Mark/Top pillar plate..... m Diameter of Vanes (vertical)..... m.
Height of Cairn..... m. Diameter of Cairn..... m.
Length of Mast..... m. (approximate if not unplied)
5. A..... set in conc/rock has been placed/rd m. bearing..... °M from Trig. Mast/pillar
6. A..... set in conc/soil has been placed/rd m. bearing..... °M from Trig. Mast/pillar
7. A..... set in conc/soil has been placed/rd m. bearing..... °M from Trig. Mast/pillar
8. A..... set in conc/rock has been placed/rd m. bearing..... °M from Trig. Mast/pillar
9. Connection..... to..... m. bearing..... °M
10. Connection..... to..... m. bearing..... °M
11. Connection..... to..... m. bearing..... °M
12. Connection..... to..... m. bearing..... °M
13. Diff. Ht. is..... m. above below
14. Diff. Ht. is..... m. above below
15. Diff. Ht. is..... m. above below
16. Diff. Ht. is..... m. above below

Prepared by:

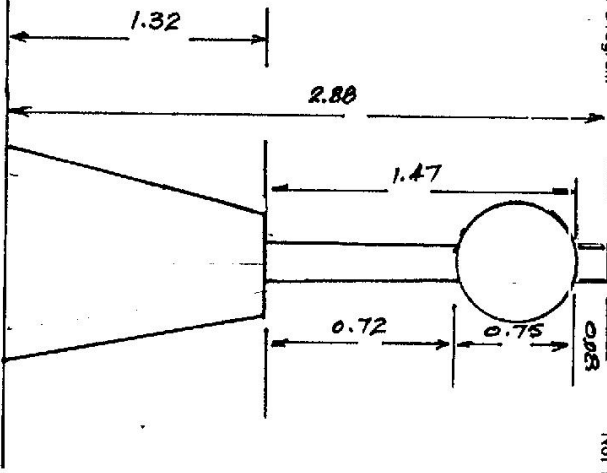
Checked:

Co: **CUMBERLAND** Ph: **NELSON**
Map Sheet: No:

Inspected by: **J.KWASNICA** Date: **20.11.2000**
Authority **LPI** Field Book:

Beacon Diagram

Not to Scale



Date	Record of Station
11/2000	TRIG FOUND INTACT.

