

CENTRAL MAPPING AUTHORITY  
Department of Lands

Trigonometrical Survey of N.S.W.

RECONNAISSANCE AND MAINTENANCE REPORT

This Trig. Station has been:-

Note: Cross out word or words which do not apply

1. Completely cleared to permit 360° vision to surrounding Trig.
2. Cleared by lanes bearing 132° m. s. 151° m. s. from Trig. Mast
3. Trig. Mast & Vanes have been painted white & black respectively.
4. The Trig. was unpiled/~~not unpiled~~, dimensions now being:

Description of mark: Concrete Observation Pillar should be explicit, e.g. Steel plug, Brass plug, Bohr, C.P. Pipe  
 Height of mark: 1.68 m above G.L.  
 Height of Top Vanes to Top Mark: 1.46 m. Diameter of Vanes (vertical) 0.75 m.  
 Height of Cairn:          m. Diameter of Cairn:          m.

Length of Mast 0.71 m. (approximate if not unpiled)

5. A.P.M. 12586 set in conc./rock has been placed 21.287 m bearing 119 from Trig. Mast
6. A Trig. Plug set in conc./soil has been placed 2.423 m bearing 197 from Trig. Mast
7. A          set in conc./soil has been placed          m bearing          from Trig. Mast
8. A          set in conc./rock has been placed          m bearing          from Trig. Mast

9. Connection Trig. Plug to P.M. 20.922 m bearing 113

10. Connection          to          m bearing         

11. Connection          to          m bearing         

12. Connection          to          m bearing         

13. Diff. Ht. Trig. Plug is 1.790 m above Pillar Plate

14. Diff. Ht. P.M. 12586 is 2.455 m below Pillar Plate

15. Diff. Ht.          is          m below         

16. Diff. Ht.          is          m above         

Prepared by: K.J. Habbon 12/2/76

Checked: I. Greenwood 13.2.76

Noted on U.T.M. Card

STATION MITCHELL IS O.P. 5640

COOK Ph: MEEHAN

Map Sheet: ST ALBANS

No. 9031 S

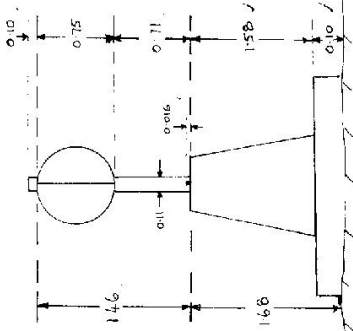
Inspected by: K.J. Habbon

Date: 5/2/1976

Authority: C.M.A.

Field Book: 1432

Reason Diagram: Not to Scale



Date

Reason of Station

Checked

STATION MITCHELL C.P. TS 5640

Current Occupant

Address

Owners Name

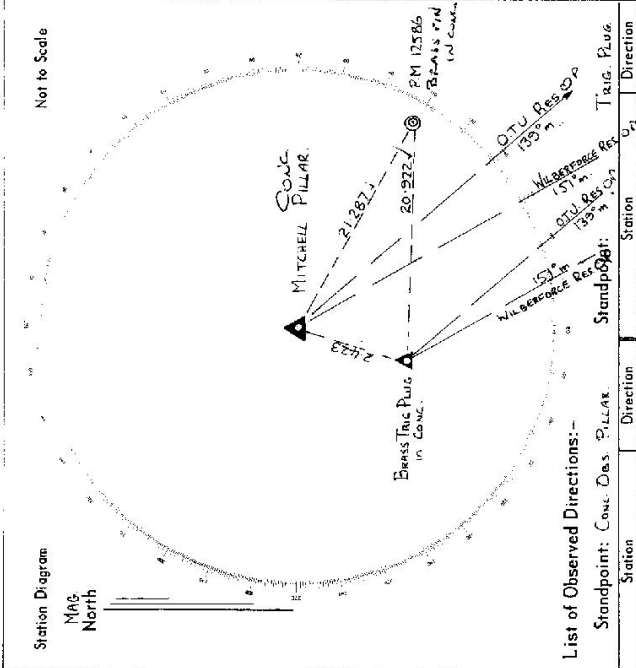
Address

Access

Not to Scale

Station Diagram

Mag North



List of Observed Directions:-

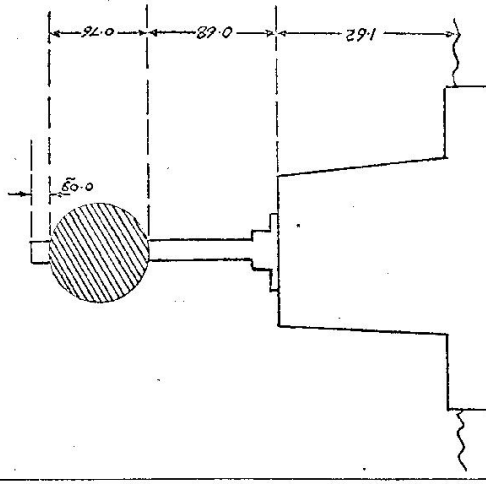
Station	Direction	Station	Direction
O.T.U. RES. O.P.	359° 59' 60"	O.T.U. RES. O.P.	359° 59' 60"
WILBERFORCE RES. O.P.	12° 12' 30"	WILBERFORCE RES. O.P.	12° 12' 30"
TRIG. PILLAR	58° 27'	TRIG. PILLAR	238° 28'
PM 12586	340° 21' 30"	PM 12586	333° 51' 50"

Station	Direction	Station	Direction

Department of Lands  
 Integration Survey of A.S.W.  
 RECONNAISSANCE and MAINTENANCE REPORT

STATION **MITCHELL (P) Ts 5640**  
 Co: **COOK** | Ph: **MEEHAN**  
 Map Sheet: \_\_\_\_\_  
 Inspected by: **G. Edwards** | Date: **30-3-78**  
 Authority: **Dept. of Main Roads** | Field Book: **5303 (P) Ed. 112**  
 Beacon Diagram

Not to Scale



Date	Record of Station

This Trig. Station has been:-

Note: Cross out word or words which do not apply

1. Completely cleared to permit 360° vision to surrounding Trigs.
2. ~~Cleared by fences-bearing~~ ..... from Trig. Mast
3. Trig. Mast & Vanes have been painted white & black respectively.
4. The Trig. was unpiled/~~not unpiled~~, dimensions now being:

Description of mark: Steel plate on Conc. Pillar should be explicit, e.g. Steel plug, Brass plug, Bolt, Concrete Pill or  
 Height of mark: ..... m above rock-concrete ..... 1.62 m above G.L.  
 Height of Top Vanes to ~~mark~~ Top pillar plate: 1.44 m Diameter of Vanes (vertical) 0.76 m.  
 Height of Cairn: ..... m. Diameter of Cairn: ..... m.  
 Length of Mast: 1.53 m. (approximate if not unpiled)

5. A Brass Plug set in conc rock has been placed/d ..... 2.01 m from Trig-Mast/pillar
6. A ..... set in conc soil has been placed/d ..... m. bearing ..... m from Trig. Mast/pillar
7. A ..... set in conc/soil has been placed/d ..... m. bearing ..... m from Trig. Mast/pillar
8. A ..... set in conc rock has been placed/d ..... m. bearing ..... m from Trig. Mast/pillar
9. Connection: ..... to ..... m. bearing ..... m
10. Connection: ..... to ..... m. bearing ..... m
11. Connection: ..... to ..... m. bearing ..... m
12. Connection: ..... to ..... m. bearing ..... m
13. Diff. Ht. Brass Plug is 1.790 m. ~~above~~ Pillar ~~below~~
14. Diff. Ht. ..... is ..... m. ~~above~~ ~~below~~
15. Diff. Ht. ..... is ..... m. ~~above~~ ~~below~~

Prepared by: **G. Edwards** Checked: **R. Drvza**

STATION MITCHELL (P) TS 5640

Current Occupant: .....

Address: .....

Owners Name: .....

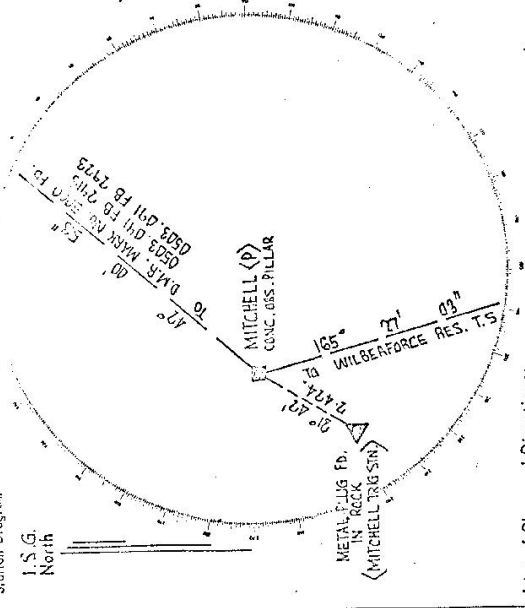
Address: .....

**ACCESS ODOMETER READINGS**  
 WINDSOR 0 - Km.  
 MITCHELL (P) 14.1 Km.  
 ROBERTS CR. 16.2 Km.  
 COLD RIVER 24.2 Km.  
 MITCHELL (P) IS ABOUT -  
 (1) 210 m NORTH OF VACANT  
 EN. LOT, ON WEST SIDE OF ROAD,  
 (2) 87 m WEST OF HERO CUT, ON  
 EAST SIDE OF ROAD, NO. 7485 A,  
 (3) 23.5 m WEST OF CENTRE OF  
 E-T-L-VEN FORMATION

Access 30-3-78

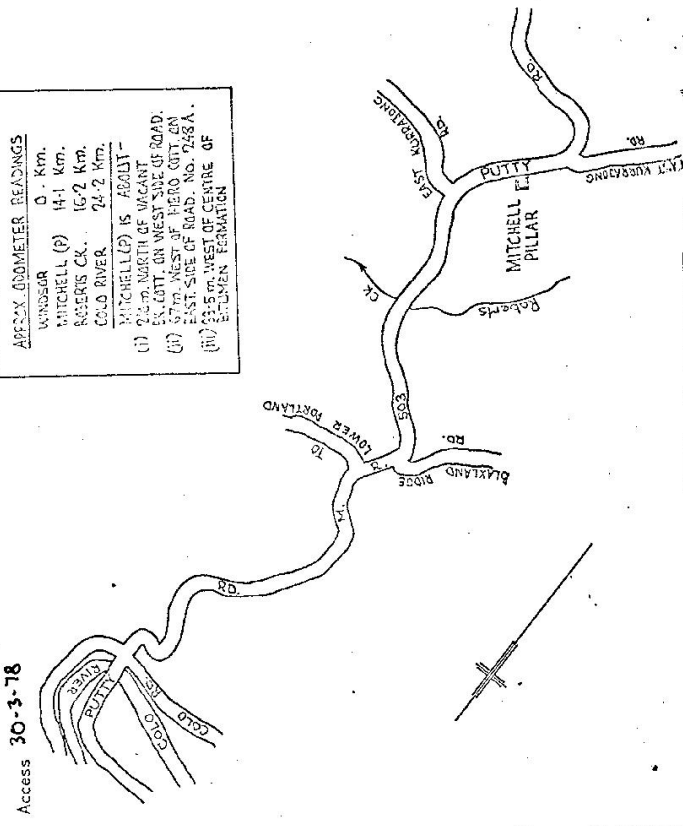
Not to Scale

Station Diagram  
 I.S.G.  
 North



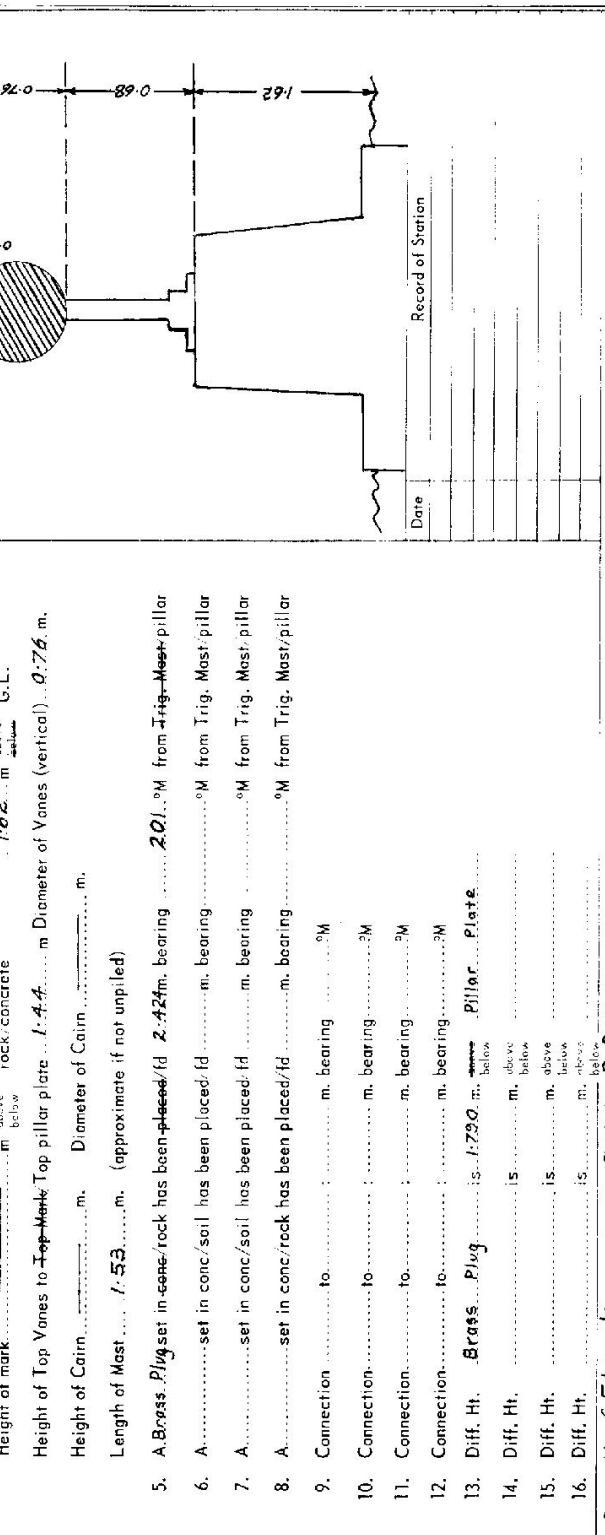
List of Observed Directions:-

Standpoint:		Standpoint:	
Station	Direction	Station	Direction



D. West, Government Printer, New South Wales - 1976

Department of Lands  
 Integration : 7 of N.S.W.  
**RECONNAISSANCE and MAINTENANCE REPORT 319C**  
 STATION **MITCHELL CP** TS **5640**  
 Co: **COOK** Ph: **MEEHAN**  
 Map Sheet: No:  
 Inspected by: **G. Edwards** Date: **30-3-78**  
 Municipality: **Dept. of Main Roads** Trig book: **0503.09148.2923**  
 Beacon Diagram Not to Scale



This Trig. Station has been:   
 Note: Cross out word or words which do not apply

1. Completely cleared to permit 360° vision to surrounding Trigs.
2. ~~Cleared by James-bearing~~   
 from Trig. Mast
3. Trig. Mast & Vanes have been painted white & black respectively.
4. The Trig. was unpiled/not unpiled, dimensions now being:

Description of mark **Steel plate on Conc. Pillar** should be explicit, e.g. Steel plug, Brass plug, Bolt, Concrete Pillar  
 Height of mark **1.62** m above rock/concrete **G.L.**  
 Height of Top Vanes to ~~Top Mast~~ Top pillar plate **1.44** m Diameter of Vanes (vertical) **0.76** m.  
 Height of Cairn **0** m. Diameter of Cairn **0** m.

Length of Mast **1.53** m. (approximate if not unpiled)  
 5. A **Brass Plug** set in conc/rock has been placed/rd **2.42** m. bearing **201.0** M from Trig. Mast/pillar  
 6. A **set** in conc/soil has been placed/rd **0** m. bearing **0** M from Trig. Mast/pillar  
 7. A **set** in conc/soil has been placed/rd **0** m. bearing **0** M from Trig. Mast/pillar  
 8. A **set** in conc/rock has been placed/rd **0** m. bearing **0** M from Trig. Mast/pillar

9. Connection **to** **0** m. bearing **0** M  
 10. Connection **to** **0** m. bearing **0** M  
 11. Connection **to** **0** m. bearing **0** M  
 12. Connection **to** **0** m. bearing **0** M  
 13. Diff. Ht. **Brass Plug** is **1.730** m. **below** **Pillar Plate**  
 14. Diff. Ht. **is** **0** m. **above**  
 15. Diff. Ht. **is** **0** m. **above**  
 16. Diff. Ht. **is** **0** m. **below**

Prepared by: **G. Edwards** Checked: **R. Dryza**  
 Date \_\_\_\_\_ Record of Station \_\_\_\_\_





TS5640

STATION TS MITCHELL (5640)

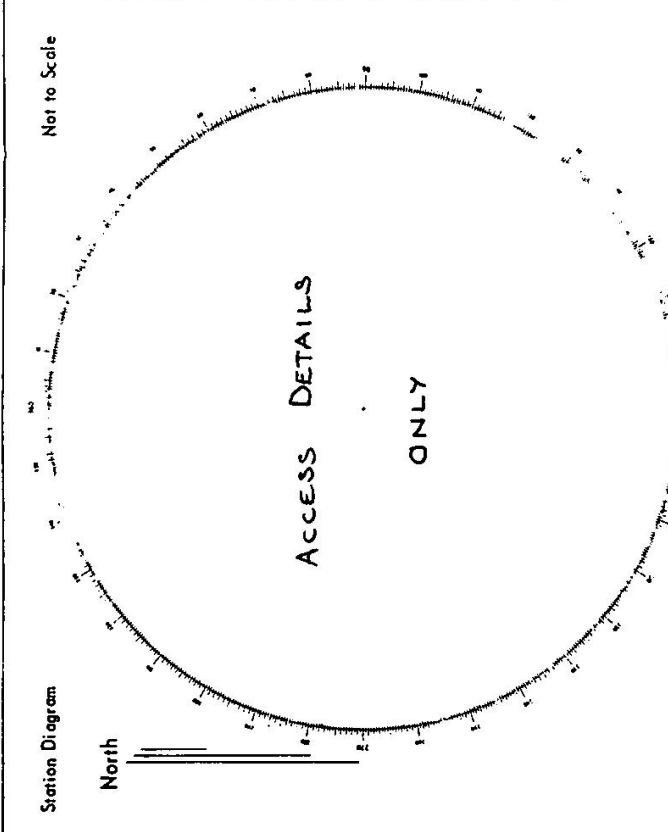
Owners Name: *Crown Land* Current Occupant: *Steve Longhurst*

Address: ..... Address: *885A Paddy Rd*

..... (P1) 0418 243 895

Access *crawl through electric fence.*

*6-1-2012 & photo*



List of Observed Directions:-

Standpoint:		Standpoint:	
Station	Direction	Station	Direction
.....	.....	.....	.....
.....	.....	.....	.....
.....	.....	.....	.....
.....	.....	.....	.....

71-193

Department of Lands

Integration s. ) of N.S.W.

RECONNAISSANCE and MAINTENANCE REPORT 319G

STATION MITCHELL (P)

TS 5640

This Trig. Station has been:

Note: Cross out word or words which do not apply

Co: COOK Ph: MEEHAN

Map Sheet: No:

1. Completely cleared to permit 360° vision to surrounding Trigs.

2. Cleared by ~~lines-bearing~~ ~~from Trig-Mast~~

3. Trig. Mast & Vanes have been painted white & black respectively.

4. The Trig. was unpiled/not unpiled, dimensions now being:

Description of mark: **Steel plate on Conc. Pillar** should be explicit, e.g. Steel plug, Brass plug, Bol, Concrete Pillar

Height of mark: ~~.....~~ m <sup>above</sup> rock/concrete ~~.....~~ m <sup>below</sup> G.L.

Height of Top Vanes to ~~Top Mast~~ Top pillar plate ~~1:4.4~~ m Diameter of Vanes (vertical) ~~0:76~~ m.

Height of Cairn: ..... m. Diameter of Cairn ..... m.

Length of Mast ~~1:53~~ m. (approximate if not unpiled)

5. A Brass Plug set in conc/rock has been placed/fd ~~2:424~~ m. bearing ~~201~~ °M from ~~Trig-Mast~~ pillar

6. A ..... set in conc/soil has been placed/fd ..... m. bearing ..... °M from Trig. Mast/pillar

7. A ..... set in conc/soil has been placed/fd ..... m. bearing ..... °M from Trig. Mast/pillar

8. A ..... set in conc/rock has been placed/fd ..... m. bearing ..... °M from Trig. Mast/pillar

9. Connection ..... to ..... m. bearing ..... °M

10. Connection ..... to ..... m. bearing ..... °M

11. Connection ..... to ..... m. bearing ..... °M

12. Connection ..... to ..... m. bearing ..... °M

13. Diff. Ht. Brass Plug is ~~1:790~~ m. <sup>above</sup> ~~below~~ Pillar Plate

14. Diff. Ht. is ..... m. <sup>above</sup> ~~below~~

15. Diff. Ht. is ..... m. <sup>above</sup> ~~below~~

16. Diff. Ht. is ..... m. <sup>above</sup> ~~below~~

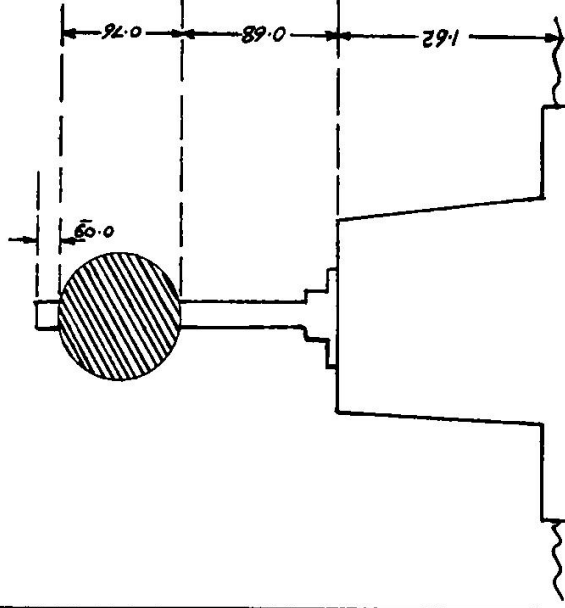
Prepared by: G. Edwards

Checked: R. Dryza

Inspected by: G. Edwards  
 Authority Dept. of Main Roads  
 Date: 30-3-78  
 Field Book: 503.091 FB7823

Beacon Diagram

Not to Scale



Date

Record of Station





CENTRAL MAPPING AUTHORITY  
Department of Lands

Trigonometrical Survey of N.S.W.  
RECONNAISSANCE and MAINTENANCE REPORT

STATION MITCHELL IS O.P. 5640

Cor. CODK  
Map Sheet: ST ALBANS  
Inspected by: K.J. HASBON  
Authority: C.M.A.  
No. 9031 S  
Date: 5/2/1976  
Field Book: 432  
Recon Diagram  
Not in Scale

This Trig. Station has been:

Note: Cross out words which do not apply

1. Completely cleared to permit 360° vision to surrounding Trigs.
2. Cleared by limes bearing 13.9° m. & 15.1° m. from Trig. Mast
3. Trig. Mast & Vanes have been painted white & black respectively.
4. The Trig. was unpiled/~~not unpiled~~, dimensions now being:

Description of mark... **Concrete Pillar**... should be explicit, e.g. Steel plug, Brass plug, Behr. C. Pipe  
Height of mark... m above rock/concrete... 1.68 m above G.L.  
Height of Top Vanes to Top Mark... 1.46 m. Diameter of Vanes (vertical) 0.75 m.

Length of Mast... 0.71 m. (approximate if not unpiled)

5. A.P.M. set in conc/rock has been placed 2.267 m bearing 119° from Trig. Mast
6. A. Trig. Plug set in conc/soil has been placed 2.423 m bearing 197° from Trig. Mast
7. A. set in conc/soil has been placed m bearing m from Trig. Mast
8. A. set in conc/rock has been placed m bearing m from Trig. Mast

9. Connection Trig Plug to P.M. : 20.922 m bearing 113.5M

10. Connection to m bearing 9M

11. Connection to m bearing 5M

12. Connection to m bearing 9M

13. Diff. Ht. Trig Plug 15.1790 m below Pillar Plate

14. Diff. Ht. P.M. 12596 15.2455 m below Pillar Plate

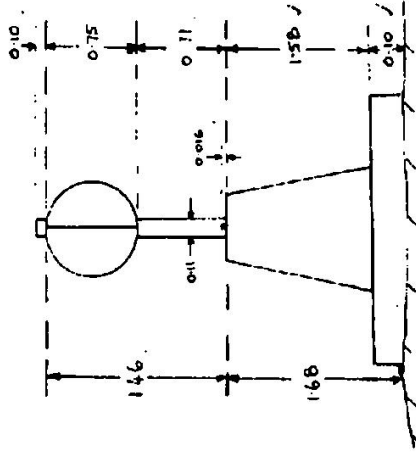
15. Diff. Ht. 15. m below

16. Diff. Ht. 15. m below

Prepared by: K.J. Hasbon 12/2/76

Checked: I. Greenwood 13.2.76

Checked



Recon Diagram

Date

Record of Station

*[Signature]*  
SENIOR TRIGONOMETRICAL SURVEYOR

STATION MITCHELL O.P. TS 5640

Owners Name.....  
 Current Occupant.....  
 Address.....  
 Access.....

