

CENTRAL MAPPING AUTHORITY
Department of Lands
Trigonometrical Survey of N.S.W.
RECONNAISSANCE and MAINTENANCE REPORT

STATION **COMLEROY** TS - 5636

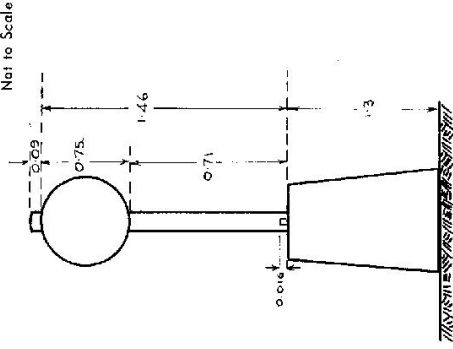
Co: **Cook** Ph: **Kurralong**

Map Sheet: **PENRITH** No: **9030**

Inspected by: **C. Bosloper** Date: **13.2.75**

Authority: **C.M.A.** Field Book: **1432**

Beacon Diagram



This Trig. Station has been:-
Note: Cross out word or words which do not apply

- 1. Completely cleared to permit 360° vision to surrounding range.
- 2. Cleared by lanes bearing $150^\circ M$ to $340^\circ M$ $55^\circ M$ to $105^\circ M$ from Trig. Mast
- 3. Trig. Mast & Vanes have been painted white & black respectively. ✓
- 4. The Trig. was unpiled/~~not unpiled~~, dimensions now being:
 - Description of mark **Conc. Pillar** should be explicit, e.g. Steel plug, Brass plug, Bolt, G.L. Pipe
 - Height of mark $\frac{1.3}{1.3}$ m above rock/concrete $\frac{1.3}{1.3}$ m above G.L.
 - Height of Top Vanes to Top Mark 1.46 m. Diameter of Vanes (vertical) 0.75 m.
 - Height of Cairn $\frac{1.3}{1.3}$ m. Diameter of Cairn $\frac{1.3}{1.3}$ m.
- 5. A. Trig. Plug set in conc./rock has been placed 2.175 m. bearing $176^\circ M$ from Trig. Mast
- 6. A. G.L. Pipe set in conc./soil has been placed 2.445 m. bearing $230^\circ M$ from Trig. Mast
- 7. A. set in conc./soil has been placed $\frac{1.3}{1.3}$ m. bearing $^\circ M$ from Trig. Mast
- 8. A. set in conc./rock has been placed $\frac{1.3}{1.3}$ m. bearing $^\circ M$ from Trig. Mast
- 9. Connection Plug to Pipe 2.105 m. bearing $236^\circ M$
- 10. Connection to $\frac{1.3}{1.3}$ m. bearing $^\circ M$
- 11. Connection to $\frac{1.3}{1.3}$ m. bearing $^\circ M$
- 12. Connection to $\frac{1.3}{1.3}$ m. bearing $^\circ M$
- 13. Diff. Ht. Original Trig. Plug is 1.400 m. above below Pillar. Plate
- 14. Diff. Ht. G.L. Pipe in conc. is 1.335 m. above below Pillar. Plate
- 15. Diff. Ht. 15 m. above below
- 16. Diff. Ht. 15 m. above below

Prepared by: *[Signature]* Checked: *[Signature]* Noted on U.T.M. Card

Date	Record of Station

Checked

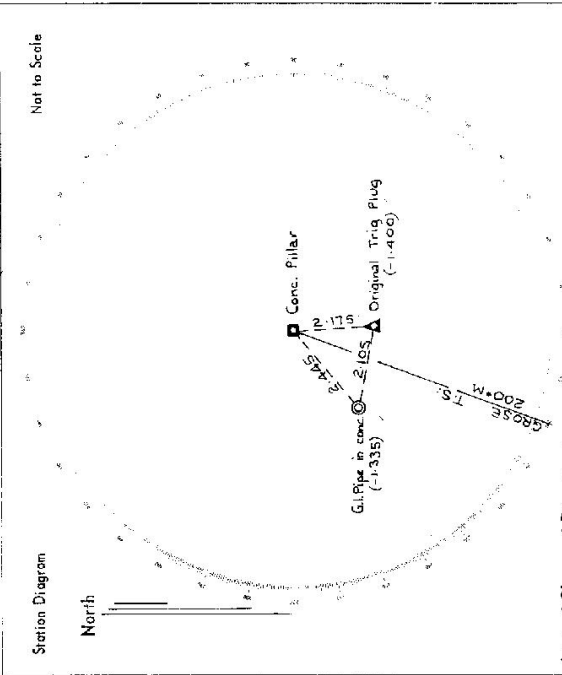
STATION **COMLEROY IS-5636**

Owners Name.....
 Current Occupant.....
 Address.....
 Address.....

Access **18-2-1715**

MILES / FEATURES

0.00 KURMOND P.O. TRAVELLING TOWARDS KURRAJONG.
 0.90 TURN RIGHT ; SIGN - COMLEROY ROAD
 2.50 TURN LEFT THROUGH GATE ; THEN TURN RIGHT.
 2.55 IRON GATE.
 2.60 TRIG.



List of Observed Directions:-

Standpoint: Pillar		Standpoint: Trig. Plug	
Station	Direction	Station	Direction
GROSE T.S.	369 69 60	GROSE T.S.	359 69 60
G.I. Pipe in conc.	29 38	G.I. Pipe in conc.	36 10
Trig. Plug	335 46	Pillar Spiget	155 49
Station	Direction	Station	Direction