

CENTRAL MAPPING AUTHORITY
Department of Lands

Trigonometrical Survey of N.S.W.

RECONNAISSANCE and MAINTENANCE REPORT

STATION WARR00

TS 5571

This Trig. Station has been:-

Note: Cross out word or words which do not apply

Co: MURRAY

Ph: WARR00

Map Sheet: YASS

No: 8628

Inspected by: J.H. GILLIES

Date: 12. 2. 75

Authority: DMR.

Field Book:

Beacon Diagram Not to Scale

1. ~~Completely cleared to permit 360° vision to surrounding trig.~~
2. Cleared by lanes bearing ~~355°-150°~~ mag. ~~.....~~ from Trig. Mast
3. ~~Trig. Mast & Vanes have been painted white & black respectively.~~
4. The Trig. was unpiled/~~not unpiled~~, dimensions now being:

Description of mark Plug should be explicit, e.g. Steel plug, Brass plug, Bolt, G.I. Pipe

Height of mark m ^{above} sack/concrete m ^{below} G.L.

Height of Top Vanes to Top Mark ~~3.80~~ m. Diameter of Vanes (vertical) ~~1.130~~ m.

Height of Cairn ~~1.00~~ m. Diameter of Cairn ~~2.50~~ m.

Length of Mast ~~2.50~~ m. (approximate if not unpiled)

5. ~~A set in conc/rock has been placed m. bearing °M from Trig. Mast~~
6. ~~A set in conc/soil has been placed m. bearing °M from Trig. Mast~~
7. ~~A set in conc/soil has been placed m. bearing °M from Trig. Mast~~
8. ~~A set in conc/rock has been placed m. bearing °M from Trig. Mast~~

9. Connection to m. bearing °M

10. Connection to m. bearing °M

11. Connection to m. bearing °M

12. Connection to m. bearing °M

13. Diff. Ht. is m. ^{above} ~~below~~

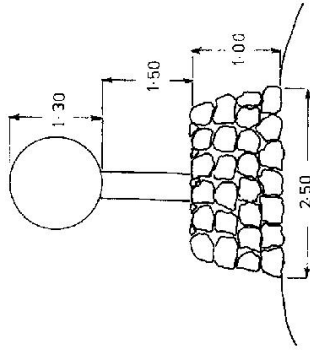
14. Diff. Ht. is m. ^{above} ~~below~~

15. Diff. Ht. is m. ^{above} ~~below~~

16. Diff. Ht. is m. ^{above} ~~below~~

Prepared by: B.J. MITCHELL 1 8 75 Checked: J.H. GILLIES 8 AUG 77, Noted on U.T.M. Card

Checked



Date

Record of Station

CENTRAL MAPPING AUTHORITY
Department of Lands

Trigonometrical Survey of N.S.W.

RECONNAISSANCE and MAINTENANCE REPORT

This Trig. Station has been:-

Note: Cross out word or words which do not apply

1. Completely cleared to permit 360° vision to surrounding Trigs.
2. Cleared by lanes bearing (6 Trigs on hill at 331°M, 334°M, 146°M, 172°M, 181°M, 221°M) Trig. ~~Mount Pils.~~
3. Trig. Mast & Vanes have been painted white & black respectively.
Also constructed 31/3/76
4. The Trig. was unpiled/~~not unpiled~~, dimensions now being:

Description of mark: *Steel. Pils. Pole* should be explicit, e.g. Steel plug, Brass plug, Bolt, G.I. Pipe
 Height of mark: m above rock/concrete *1.312* m above ~~below~~ G.L.
 Height of Top Vanes to Top Mark: *4.39* m. Diameter of Vanes (vertical): *0.756* m.
 Height of Cairn: m. Diameter of Cairn: m.

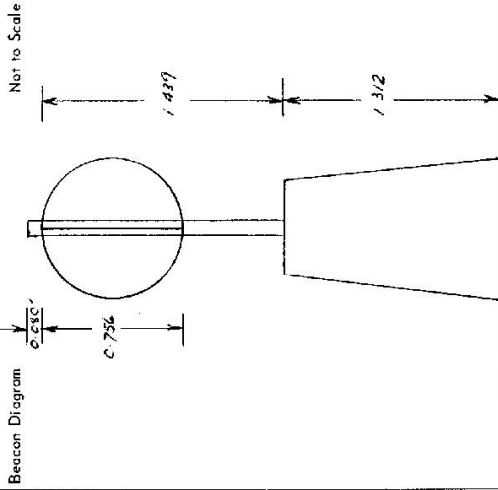
Length of Mast: m. (approximate if not unpiled)

5. A *RM 1* ~~Steel. Robot.~~ set in conc/~~rock~~ has been ~~placed~~ *found* *4.603* m. bearing *265*°M from Trig. ~~Mount Pils.~~
6. A *RM 2* ~~Steel. Robot.~~ set in ~~conc/rock~~ *rock* has been ~~placed~~ *found* *16.390* m. bearing *330*°M from Trig. ~~Mount Pils.~~
7. A *RM 3* ~~Steel. Robot.~~ set in conc/~~rock~~ has been ~~placed~~ *found* *7.218* m. bearing *42*°M from Trig. ~~Mount Pils.~~
8. A ~~Trig. Plug~~ set in conc/~~rock~~ has been ~~placed~~ *found* *4.175* m. bearing *326*°M from Trig. ~~Mount Pils.~~
9. Connection ~~Trig. Plug to Steel. Robot.~~ *RM 1* ~~4.460 m. bearing *210*°M~~
10. Connection ~~Trig. Plug to Steel. Robot.~~ *RM 2* ~~12.131~~ m. bearing *332*°M
11. Connection ~~Trig. Plug to Steel. Robot.~~ *RM 3* ~~7.498~~ m. bearing *76*°M
12. Connection to m. bearing°M
13. Diff. Ht. ~~Trig. Pils.~~ *RM 1* ~~is~~ *1.190* m. ~~above~~ *below* ~~Pils. Pole~~
14. Diff. Ht. ~~Steel. Robot. in conc. Rd.~~ *RM 2* ~~is~~ *1.530* m. ~~above~~ *below* ~~Pils. Pole~~
15. Diff. Ht. ~~Drill hole in rock Rd.~~ *RM 3* ~~is~~ *1.559* m. ~~above~~ *below* ~~Pils. Pole~~
16. Diff. Ht. ~~Steel. Robot. in conc. Rd.~~ ~~is~~ *1.692* m. ~~above~~ *below* ~~Pils. Pole~~

Prepared by: *Robt. King 19/10/76* Checked: _____

Noted on U.T.M. Card

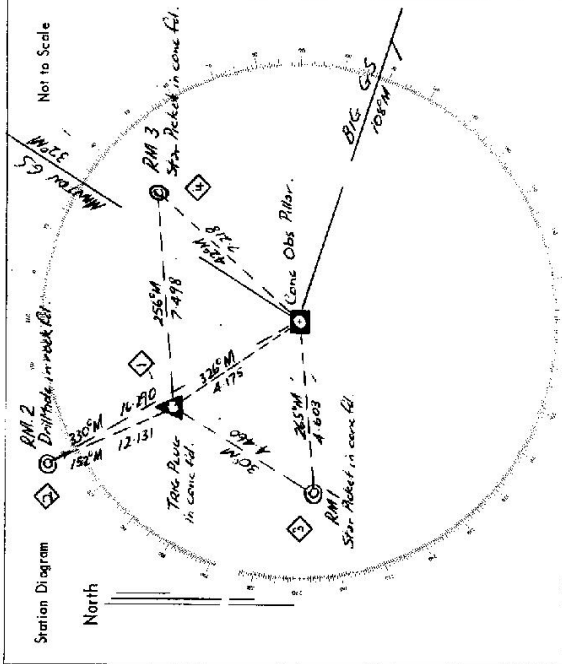
STATION: *MURRAY* | Ph: *WARROO* | No: *6628*
 Co: *MURRAY* | Ph: *WARROO* | Date: *5/5/76*
 Map Sheet: *YASS SC074* | Authority: *C.M.A.* | Field Book: *1404*



Beacon Diagram
 Date: *31/7/76* | Record of Station: *Original broken removed and replaced by cone obs. pillar.*
 Checked: _____

STATION WARROO GS (RM100) TS 5571

Owners Name.....
 Current Occupant.....
 Address.....
 Address.....
 Access.....



List of Observed Directions:-

Station	Direction	Station	Direction
BIG GS	357° 57' 60"	BIG GS	357° 57' 60"
RM 1 Star Picket in cone fl.	155° 44' 50"	CONC OBS PILAR	308° 35' 10"
TRIG PLUG in cone fl.	216° 35' 50"	RM 1 Star Picket in cone fl.	100° 53' 20"
RM 2 Drill hole in rock fl.	221° 25' 30"	RM 2 Drill hole in rock fl.	233° 04' 00"
MANTON GS	284° 56' 30"	MANTON GS	284° 56' 20"
RM 3 Star Picket in cone fl.	203° 20' 10"	RM 3 Star Picket in cone fl.	326° 44' 30"
STRUBB GS (Pillar)	86° 47' 15"		
SURVEYOR GS	35° 55' 40"		
PIC GS	52° 13' 40"		
PASS GS	191° 44' 40"		
BOUNNING GS	219° 16' 25"		
MUNDROVEN GS (RM100)	292° 08' 55"		

