

7.4.98

CENTRAL MAPPING AUTHORITY  
Department of Lands

Trigonometrical Survey of N.S.W.

RECONNAISSANCE and MAINTENANCE REPORT

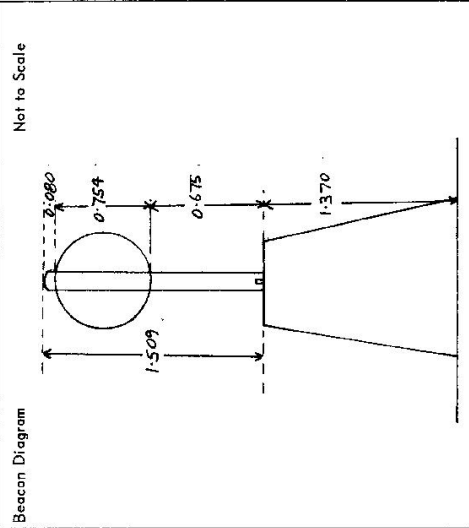
STATION **BULGA G.S. (PILLAR)** 5525  
 Co: **HUNTER** Ph: **COLO**  
 Map Sheet: **ST. ALBANS SOUTH** No: **9031**  
 Inspected by: **W. MCGILLIVRAY** Date: **14/4/76**  
 Authority: **CENTRAL MAPPING** Field Book:

This Trig. Station has been:-  
 Note: Cross out word or words which do not apply

1. Completely cleared to permit 360° vision to surrounding Trig.
2. Cleared by lanes bearing 108° 12.5', 160° 17.2', 218° 22.6', 252° 26.7' from Trig. Mast
3. Trig. Mast & Vanes have been painted white & black respectively.
4. The Trig. was unpiled/not unpiled, dimensions now being: Original Station ~~was~~ **rock**

Description of mark: **S/S PILLAR PLATE** should be explicit, e.g. Steel plug, Brass plug, Bolt, G.I. Pipe  
 Height of mark: **1.370** m above rock/concrete ..... m above G.I. below  
 Height of Top Vanes to Top Mark: **1.429** m Diameter of Vanes (vertical) **0.754** m.

Height of Cairn: ..... m. Diameter of Cairn: ..... m.  
 Length of Mast: **1.509** m. (approximate if not unpiled)  
 5. **A. BRASS** ~~PLATE~~ set in ~~conc/rock~~ has been placed **2.022** m. bearing **165**°M from Trig-mast **PLATE**  
 6. **A. COPPER** ~~PLATE~~ set in ~~conc/soil~~ has been placed **3.90** m. bearing **75**°M from Trig-mast **PLATE**  
 7. **A.** set in ~~conc/soil~~ has been placed ..... m. bearing .....°M from Trig. Mast  
 8. **A.** set in ~~conc/rock~~ has been placed ..... m. bearing .....°M from Trig. Mast  
 9. Connection: to ..... m. bearing .....°M  
 10. Connection: to ..... m. bearing .....°M  
 11. Connection: to ..... m. bearing .....°M  
 12. Connection: to ..... m. bearing .....°M  
 13. Diff. Ht. is ..... m. above below  
 14. Diff. Ht. is ..... m. above below  
 15. Diff. Ht. is ..... m. above below  
 16. Diff. Ht. is ..... m. above below



Date	Record of Station
<del>14/76</del>	<del>CONC OBS</del> PILLAR CONSTRUCTED

Prepared by: **Bob Landy 10/4/76** Checked: **RL 14/76** Noted on U.T.M. Card



CENTRAL MAPPING AUTHORITY  
Department of Lands

Trigonometrical Survey of N.S.W.

RECONNAISSANCE and MAINTENANCE REPORT

STATION **BULGA (PILLAR)** 5525

This Trig. Station has been:

Note: Cross out word or words which do not apply

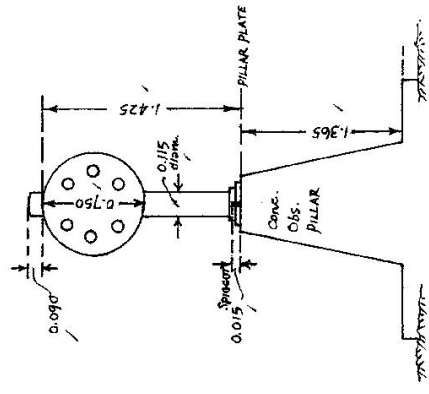
1. Completely cleared to permit 360° vision to surrounding higher
2. Cleared by lanes bearing 120° M, 222° M from Trig. Mast  
(above) (below)
3. Trig. Mast & Vanes have been painted white & black respectively.
4. The Trig. was unpiled, not-unpiled, dimensions now being: Original Station Mark found (not found) (Brass Plug in Rock)  
Description of mark: S/S Spigot/Plate in Conc. PILLAR should be explicit, e.g. Steel plug, Brass plug, Bolt, G.I. Pipe  
Height of mark: ORIGINAL PLUG 0.020 m above rock/concrete PILLAR 1.4 m above G.L.  
Height of Top Vanes to Top Mark 1.425 m (PILLAR PLATE) Diameter of Vanes (vertical) 0.750 m.  
Height of Mast 1.365 m. Diameter of Cairn m.

5. A. Copper NAIL set in conc./soil has been placed 3.401 m bearing 77° M from Trig. Mast
6. A. set in conc./soil has been placed m. bearing °M from Trig. Mast
7. A. set in conc./soil has been placed m. bearing °M from Trig. Mast
8. A. set in conc./rock has been placed m. bearing °M from Trig. Mast
9. Connection PILLAR to PLUG : 2.822 m bearing 168° M
10. Connection PLUG to NAIL : 4.479 m bearing 38° M
11. Connection to : m. bearing °M
12. Connection to : m. bearing °M
13. Diff. Ht. Brass Trig. Plug is 1.716 m above PILLAR PLATE
14. Diff. Ht. Copper NAIL is 1.435 m below PILLAR PLATE
15. Diff. Ht. is m. above
16. Diff. Ht. is m. below

Prepared by: Shakley 29/5/76 Checked: 22.6.76 Noted on U.T.M. Card

Co: **HUNTER** / Ph: **Colo**  
Map Sheet: **ST. ALBANS 1:100,000** / No: **9031 S**  
Inspected by: **A. P. JACKSON** / Date: **29/5/76**  
Authority: **GEODETIC SURVEY DIV. C.M.A.** / Field Book: **1495**

Beacon Diagram Not to Scale



Date: **29/5/76** Record of Station  
CONNECTIONS EFFECTED: **Mo. Name/Plate on PILLAR.**  
Checked: **22.6.76**

5525

STATION **BULGA (PILLAR)**

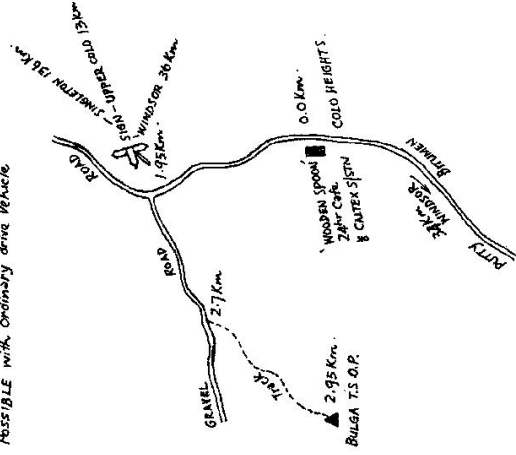
Current Occupant.....

Owners Name.....

Address.....

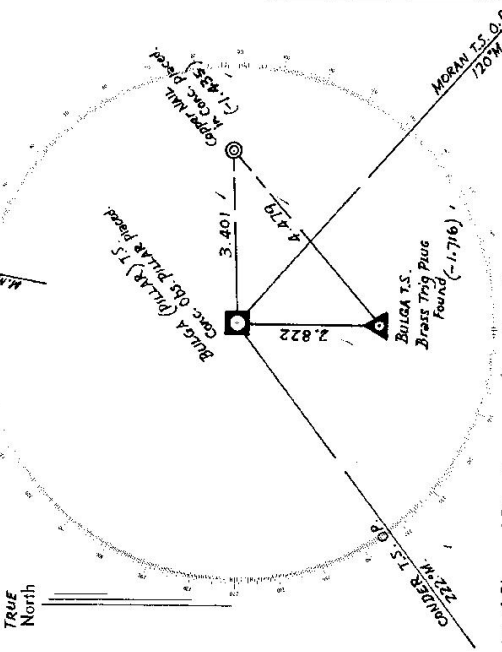
Address.....

Access 2.9 - 5-76  
POSSIBLE with Ordinary drive vehicle



Not to Scale

Station Diagram  
TRUE North



List of Observed Directions:-

Standpoint: Conc. Obs. PILLAR Placed Standpoint: Brass Trig Plug Found.

Station	Direction	Station	Direction
CONDER T.S. O.P.	359.59' 60"	CONDER T.S. O.P.	359.59' 60"
Copper Mail in Conc.	714.55'	BULGA PILLAR (Spigot)	176.31'
MORAN T.S. O.P.	258.08' 17"	Copper Mail in Conc.	175.53'
BULGA TRIG Plug Fr.	306.33'	MORAN T.S. O.P.	238.07' 50"

Station	Direction	Station	Direction