

CENTRAL MAPPING AUTHORITY
Department of Lands

Trigonometrical Survey of N.S.W.

RECONNAISSANCE and MAINTENANCE REPORT

This Trig. Station has been:-

Note: Cross out word or words which do not apply

1. Completely cleared to permit 360° vision to surrounding Trig.
2. Cleared by lanes bearing from Trig. Mast
3. Trig. Mast & Vanes have been painted white & black respectively. ✓
4. The Trig. was ~~unplanned~~ ^{unplanned}, dimensions now being: ORIGINAL STATION MARK FOUND
Description of mark..... 5/5 PLATE..... should be explicit, e.g. Steel plug, Brass plug, Bolt, G.I. Pipe
Height of mark..... 1.300 m ^{above} ~~below~~ rock/concrete..... m ^{above} ~~below~~ G.L.
Height of Top Vanes to Top Mark..... 1.490 m. Diameter of Vanes (vertical)..... 0.750 m.

Height of Cairn..... m. Diameter of Cairn..... m.

Length of Mast..... 1.570 m. (approximate if not unplied)

5. A. TRIG. MARK set in conc./~~rock~~ ^{rock} has been placed..... 2.623 m. bearing..... 20° M from Trig. Mast ^{PILLAR}
6. A. COPIED MARK set in conc./~~soil~~ ^{soil} has been placed..... 3.428 m. bearing..... 152° M from Trig. Mast ^{PILLAR}

7. A..... set in conc./soil has been placed..... m. bearing.....° M from Trig. Mast

8. A..... set in conc./rock has been placed..... m. bearing.....° M from Trig. Mast

9. Connection. TRIG. MARK to CONC. MARK..... 5.460 m. bearing..... 177° M

10. Connection..... to..... m. bearing.....° M

11. Connection..... to..... m. bearing.....° M

12. Connection..... to..... m. bearing.....° M

13. Diff. Ht. TRIG. MARK is..... 1.542 m. ^{above} ~~below~~ PILLAR PLATE

14. Diff. Ht. COPPER NAIL is..... 1.446 m. ^{above} ~~below~~ PILLAR PLATE

15. Diff. Ht. is..... m. ^{above} ~~below~~

16. Diff. Ht. is..... m. ^{above} ~~below~~

Prepared by: Bob Lander 17/11/76 Checked: Tall Doyle 12/11/76 Noted on U.T.M. Card

Checked

STATION JANNALI G.S. (PILLAR) TS 5461

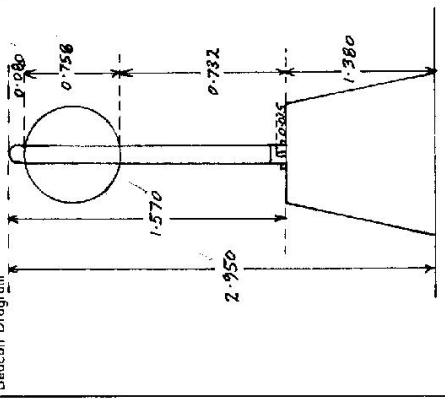
Co: CUMBERLAND Ph:

Map Sheet: PORT HACKING No: 9129

Inspected by: W. M'CILLIVRAY Date: 8/8/75

Authority: CENTRAL MAPPING Field Book: A.B. 1391

Beacon Diagram Not to Scale



Date: 21/7/75 Record of Station

TRIG. MARK IN COVER BOX REPLACED BY CONC OBS PILLAR.

Department of Lands
 Integration No. 101 N.S.W.
 RECONNAISSANCE and MAINTENANCE REPORT 2568 STATION JANNALI (P) TS 5461

This Trig. Station has been:-
 Note: Cross out word or words which do not apply
 1. Completely cleared to permit 360° vision to surrounding Trig.
 2. Cleared by lanes bearing 330 M, 20 M, 70 M, 110 M, 210 M, 240 M, 250 M, 260 M from Trig. Mast
 3. Trig. Mast & Vanes have been painted white & black respectively.
 4. The Trig. was unpiled/~~not unpiled~~, dimensions now being:
 Description of mark... Concrete Pillar should be explicit, e.g. Steel plug, Brass plug, Bolt, Concrete Pillar
 Height of mark... m above below rock, concrete 1.38 m above G.L.
 Height of Top Vanes to Top Mast/Top pillar plate... 1.49 m Diameter of Vanes (vertical) 0.15 m.
 Height of Cairn... m. Diameter of Cairn... m.
 Length of Mast... 1.49 m. (approximate if not unpiled)



5. A Copper Spile set in conc/rock has been placed/fd 3.503 m. bearing 155° from Trig. Mast/pillar
 6. A Old trig plug set in conc/soil has been placed/fd 2.624 m. bearing 24° from Trig. Mast/pillar
 7. A ... set in conc/soil has been placed/fd ... m. bearing ...° from Trig. Mast/pillar
 8. A ... set in conc/rock has been placed/fd ... m. bearing ...° from Trig. Mast/pillar
 9. Connection Copper Spile to Old trig plug : 5.461 m. bearing 352°
 10. Connection ... to ... m. bearing ...°
 11. Connection ... to ... m. bearing ...°
 12. Connection ... to ... m. bearing ...°
 13. Diff. Ht. CENTER SPIKE is 1.45 m. below PILLAR PLATE ✓
 14. Diff. Ht. Old trig plug is 1.53 m. below PILLAR PLATE ✓
 15. Diff. Ht. ... is ... m. above below
 16. Diff. Ht. ... is ... m. above below

Prepared by: C STARKLEY
 Checked: K. ...
 Date: 19/5/15
 Field Book: PDP 366
 No: TS 5461
 Authority: DEPT LANDS
 Inspected by: C STARKLEY
 Map Sheet:
 Co:
 Station: JANNALI (P)
 Beacon Diagram
 Not to Scale

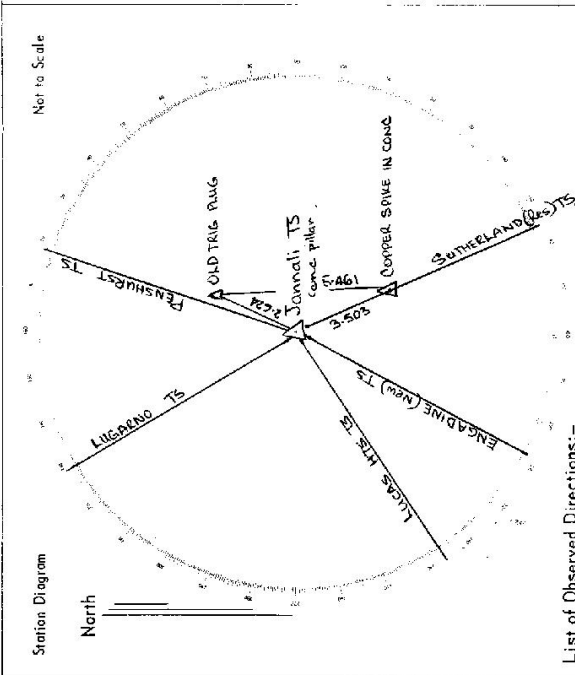
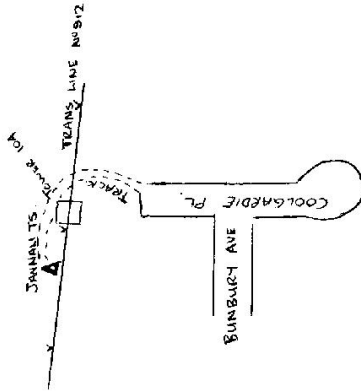
Record of Station
 Date

STATION JANNAI (P) TS 5461

Owners Name..... Current Occupant.....

Address..... Address.....

19-9-1975
 Access 06D HWY 101 CA



List of Observed Directions:-

| Standpoint: CONC. PILLAR | | Standpoint: OLD TRIG PLUG | |
|--------------------------|----------------|---------------------------|---------------|
| Station | Direction | Station | Direction |
| SUTHERLAND (RES) TS | 0° 00' 00" | SUTHERLAND TS | 0° 00' 00" |
| ENGADINE (NEW) TS | 52° 58' 35.5" | COPPER SPIKE | 22° 53' 38" |
| LUCAS HTS TS | 81° 40' 30.8" | ENGADINE (NEW) TS | 52° 51' 54.5" |
| LUGARNO TS | 172° 58' 46.1" | JANNAI TS (PILLAR) | 54° 20' 44" |
| PENSURST TS | 225° 10' 15.3" | | |

| Station | Direction | Station | Direction |
|-------------------|---------------|---------|-----------|
| SUTHERLAND TS | 0° 00' 00" | | |
| COPPER SPIKE | 0° 02' 28" | | |
| ENGADINE (NEW) TS | 52° 58' 38.5" | | |
| OLD TRIG PLUG | 224° 27' 34" | | |

CENTRAL MAPPING AUTHORITY
Department of Lands

Trigonometrical Survey of N.S.W.

RECONNAISSANCE and MAINTENANCE REPORT

This Trig. Station has been:-

Note: Cross out word or words which do not apply

- 1. Completely cleared to permit 360° vision to surrounding Trigs.
- 2. Cleared by lanes bearing..... from Trig. Mast
- 3. Trig. Mast & Vanes have been painted white & black respectively. ✓
- 4. The Trig. was ~~unpiled~~/not unpiled, dimensions now being:

Description of mark *Concrete Observation Pillar* should be explicit, e.g. Steel plug, Brass plug, Bolt, G.I. Pipe

Height of mark..... m above rock/concrete 1.32 m above below G.L.
Height of Top Vanes to Top Mark 1.490 m. Diameter of Vanes (vertical) 0.756 m.

Height of Cairn..... m. Diameter of Cairn..... m.
Length of Mast 0.735 m. (approximate if not unpiled)

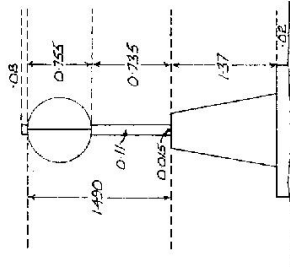
- 5. A Brass Trig Plug set in conc/rock has been placed 2.622 m. bearing 26° M from Trig. Mast
- 6. A Copper Nail set in conc/sail has been placed 3.496 m. bearing 48° M from Trig. Mast
- 7. A..... set in conc/soil has been placed..... m. bearing.....° M from Trig. Mast
- 8. A..... set in conc/rock has been placed..... m. bearing.....° M from Trig. Mast
- 9. Connection Trig. Plug to Copper Nail 5.458 m. bearing 174° M

- 10. Connection..... to..... m. bearing.....° M
- 11. Connection..... to..... m. bearing.....° M
- 12. Connection..... to..... m. bearing.....° M
- 13. Diff. Ht. Brass Trig Plug is 1.542 m. ~~above~~ below Pillar Plate
- 14. Diff. Ht. Copper Nail is 1.463 m. ~~above~~ below Pillar Plate
- 15. Diff. Ht. Copper Nail is 0.077 m. ~~above~~ below Trig. Plug
- 16. Diff. Ht. is..... m. ~~above~~ below

Prepared by: C. J. Brown Checked: Noted on U.T.M. Card

STATION JANNALI O. P. 5461
Co: CUMBERLAND Ph: SUTHERLAND
Map Sheet: PORT HACKING No: 9129-N
Inspected by: C. J. BROWN Date: 8th October, 1975
Authority: C. M. A. Field Book: 1451

Beacon Diagram Not to Scale



Date Record of Station

Checked

STATION JANNALI O.P^{TS} 5461

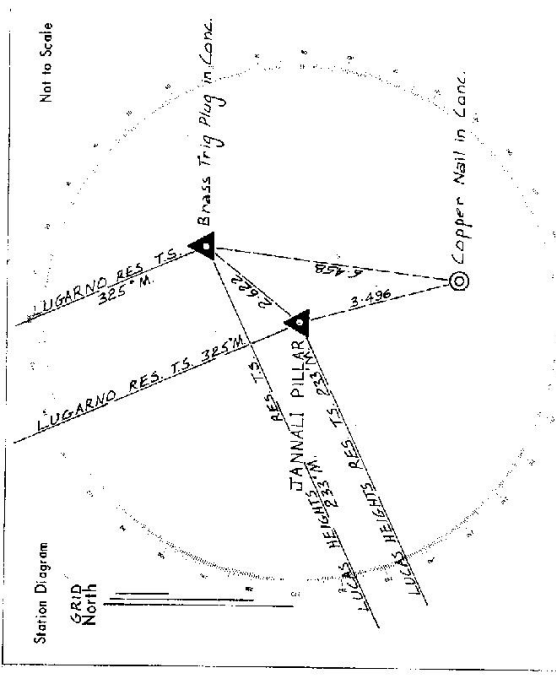
Owners Name.....

Current Occupant.....

Address.....

Address.....

Access.....



List of Observed Directions:-

Standpoint: Conc. Observation Pillar Standpoint: Brass Trig Plug in Conc.

| Station | Direction | Station | Direction |
|---------------------------------|-----------|-------------------------------|-----------|
| LUCAS HEIGHTS RES. TS. 359.59 | 80 | LUCAS HEIGHTS RES. TS. 359.59 | 60 |
| LUGARNO RES. TS. 91.18 | 06 | LUGARNO RES. TS. 91.16 | 41 |
| Brass Trig Plug in Conc. 152.47 | | Copper Nail in Conc. 301.23 | 00 |
| Copper Nail in Conc. 278.22 | | Pillar Spigot | 332.47 |

| Station | Direction | Station | Direction |
|---------|-----------|---------|-----------|
| | | | |
| | | | |
| | | | |
| | | | |