

CENTRAL MAPPING AUTHORITY
Department of Lands

Trigonometrical Survey of N.S.W.

RECONNAISSANCE and MAINTENANCE REPORT

STATION CARINGBAH TS 4989

This Trig. Station has been:-

Note: Cross out word or words which do not apply

1. Completely cleared to permit 360° vision to surrounding Trigs.
2. Cleared by lanes bearing..... from Trig. Mast
3. Trig. Mast & Vanes have been painted white & black respectively.
4. The Trig. was unpiled/not unpiled, dimensions now being: ~~Concrete base.....~~

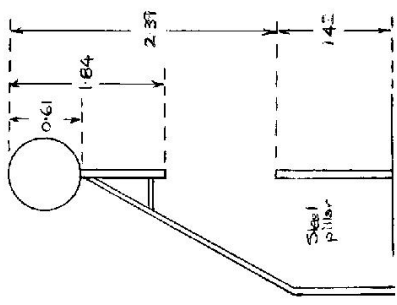
Description of mark..... should be explicit, eg. Steel plug, Brass plug, Bolt, G.I. Pipe
 Height of mark..... m above rock/concrete..... m above G.L.
 Height of Top Vanes to Top Mark..... m. Diameter of Vanes (vertical)..... m.
 Height of Cairn..... m. Diameter of Cairn..... m.

- Length of Mast..... m. (approximate if not unpiled)
5. A..... set in conc/rock has been placed..... m. bearing.....°M from Trig. Mast
 6. A..... set in conc/soil has been placed..... m. bearing.....°M from Trig. Mast
 7. A..... set in conc/soil has been placed..... m. bearing.....°M from Trig. Mast
 8. A..... set in conc/rock has been placed..... m. bearing.....°M from Trig. Mast

9. Connection..... to..... m. bearing.....°M
10. Connection..... to..... m. bearing.....°M
11. Connection..... to..... m. bearing.....°M
12. Connection..... to..... m. bearing.....°M
13. Diff. Ht. is..... m. above below
14. Diff. Ht. is..... m. above below
15. Diff. Ht. is..... m. above below
16. Diff. Ht. is..... m. above below

Prepared by: *[Signature]* Checked: *[Signature]* Noted on U.T.M. Card

Co: _____
 Map Sheet: SYDNEY 1:250,000 No: _____
 Inspected by: M. Sandstrom Date: Oct 1971
 Authority: CMA Field Book: 1264
 Beacon Diagram Not to Scale



Date	Record of Station

Checked

