

CENTRAL MAPPING AUTHORITY

Department of Lands

Trigonometrical Survey of N.S.W.

RECONNAISSANCE and MAINTENANCE REPORT

This Trig. Station has been:-

Note: Cross out word or words which do not apply

1. Completely cleared to permit 360° vision to surrounding Trigs.
2. Cleared by lanes bearing..... from Trig. Mast
3. Trig. Mast & Vanes have been painted white & black respectively.
4. The Trig. was unpiled/not unpiled, dimensions now being:

Description of mark..... should be explicit, e.g. Steel plug, Brass plug, Bolt, G.I. Pipe
 Height of mark..... m above rock/concrete m above G.L.
 Height of Top Vanes to Top Mark..... m. Diameter of Vanes (vertical) 1.023 m.

Height of Cairn..... m. Diameter of Cairn..... m.

Length of Mast..... m. (approximate if not unpiled)

5. A..... set in conc./rock has been placed..... m. bearing.....°M from Trig. Mast
6. A..... set in conc./soil has been placed..... m. bearing.....°M from Trig. Mast
7. A..... set in conc./soil has been placed..... m. bearing.....°M from Trig. Mast
8. A..... set in conc./rock has been placed..... m. bearing.....°M from Trig. Mast

9. Connection..... to ^{TRIG}..... m. bearing 32.7°M

10. Connection..... to..... m. bearing.....°M

11. Connection..... to..... m. bearing.....°M

12. Connection..... to..... m. bearing.....°M

13. Diff. Ht. S.S.M. is ~~3.62~~ 3.62 m. below TOP OF VANES

14. Diff. Ht. is..... m. above below

15. Diff. Ht. is..... m. above below

16. Diff. Ht. is..... m. above below

Prepared by: R. LAUREN Checked: J. SUGG T.S.T. Noted on U.T.M. Card

STATION YEVRANDERIE G.S. IS 4932

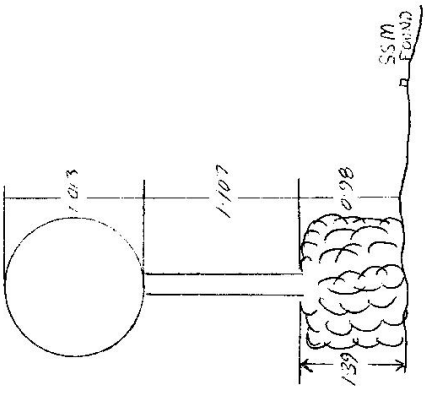
Co: Ph:

Map Sheet: BARRAGORANG No: 8929

Inspected by: J. JUDGE, R. LAUREN Date: 2-12-76

Authority: CENTRAL MAPPING Field Book: 1516

Beacon Diagram Not to Scale



Date: 2-12-76
 Record of Station: THIS STATION WAS FOUND IN GOOD REPAIR
 EARTHWORK CLEARING IS NECESSARY
 CLAWS AND MSL LANE OF RINDOCK PROPERTY
 MUST BE CONTACTED BEFORE ENTRY INTO
 THIS STATION.

Checked

