

CENTRAL MAPPING AUTHORITY
Department of Lands

Trigonometrical Survey of N.S.W.
RECONNAISSANCE and MAINTENANCE REPORT

7406

STATION **TURIMETTA G.S. (PILLAR) TS 4478**

Co: **CUMBERLAND** Ph: **NARRABEEN**

Map Sheet: **SYDNEY** No: **9130**

Inspected by: **W. M. GILLURAY** Date: **5/8/75**

Authority: **CENTRAL MAPPING** Field Book:

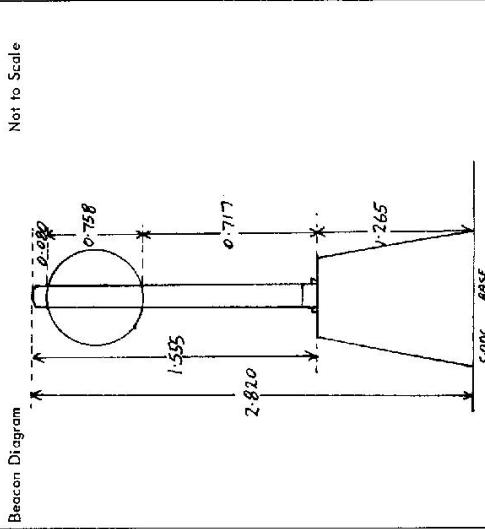
This Trig. Station has been:- Note: Cross out word or words which do not apply

1. Completely cleared to permit 360° vision to surrounding Trigs.
2. Cleared by lones bearing..... from Trig. Mast
3. Trig. Mast & Vanes have been painted white & black respectively.
4. The Trig. was unpiled/not unpiled, dimensions now being:
Description of mark... **S/S. PILLAR PLATE** should be explicit, e.g. Steel plug, Brass plug, Bolt, G. I. Pipe
Height of mark... **1.465** m above **rock/concrete** m above **G.L.**
Height of Top Vanes to Top Mark... **1.475** m. Diameter of Vanes (vertical) **0.750** m.

5. A..... m. Diameter of Cairn..... m.
Length of Mast... **1.555** m. (approximate if not unpiled)
6. A..... set in conc/rock has been placed..... m. bearing.....°M from Trig. Mast
7. A..... set in conc/soil has been placed..... m. bearing.....°M from Trig. Mast
8. A..... set in conc/soil has been placed..... m. bearing.....°M from Trig. Mast

9. Connection..... to..... m. bearing.....°M
10. Connection..... to..... m. bearing.....°M
11. Connection..... to..... m. bearing.....°M
12. Connection..... to..... m. bearing.....°M
13. Diff. Ht. is..... m. above
below
14. Diff. Ht. is..... m. above
below
15. Diff. Ht. is..... m. above
below
16. Diff. Ht. is..... m. above
below

Prepared By: **Bob Lunde 11/1/76** Checked: **Robby 11/1/76** Noted on U.T.M. Card



Date	Record of Station
5-8-75	NEW MAST & VANES ERECTED

Checked

75 193

Department of Lands STATION TURIMETTA TS 4478
 RECONNAISSANCE and MAINTENANCE REPORT

This Trig. Station has been:-

- 1. Completely cleared to permit 360° vision to surrounding Trigs.
- 2. ~~Cleared~~ by lanes bearing..... from Trig. Mast
- 3. Trig. Mast & Vanes have been painted white & black respectively.
- 4. The Trig. was unpiled/~~not completed~~, dimensions now being:

Description of mark..... ~~CONCRETE~~ ^{PILLAR} should be explicit, e.g. Steel plug, Brass plug, Bolt, Concrete Pillar

Height of mark..... 1.25 m ^{above} ~~concrete~~ ^{G.L.} m above/below

Height of Top Vanes to Top Mark/Top pillar plate... 1.46 m Diameter of Vanes (vertical) 0.60 m.

Height of Cairn..... m. Diameter of Cairn..... m.

Length of Mast..... m. (approximate if not unpiled)

5. A. TRIG. PILLAR set in conc./~~rock~~ has been placed/fd 2.624 m. bearing 335°M from Trig. Mast/pillar

6. A. ~~CONCRETE~~ ^{IRON} set in conc./soil has been placed/fd 1.729 m. bearing 35°M from Trig. Mast/pillar

7. A..... set in conc./soil has been placed/fd..... m. bearing.....°M from Trig. Mast/pillar

8. A..... set in conc./rock has been placed/fd..... m. bearing.....°M from Trig. Mast/pillar

9. Connection: TRIG. PILLAR CONCRETE 2.286 m. bearing 115°M

10. Connection..... to..... m. bearing.....°M

11. Connection..... to..... m. bearing.....°M

12. Connection..... to..... m. bearing.....°M

13. Diff. Ht. TRIG. PILLAR is 1.568 m. ^{below} PILLAR PLATE

14. Diff. Ht. CONCRETE is 1.380 m. ^{below} PILLAR PLATE

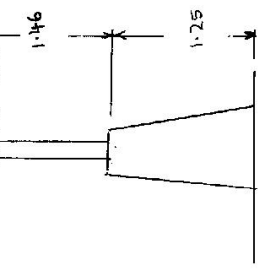
15. Diff. Ht. is..... m. ^{above}

16. Diff. Ht. is..... m. ^{below}

Prepared by: W. Staley Checked: W. Staley 26/12/77

Co: CUMBERLAND | Ph: NARRABEEN
 Map Sheet: MONA VALE | No: 2767
 Inspected by: C. N. STARKY | Date: 23/3/77
 Authority: DEPT LANDS | Field Book: 873.

Beacon Diagram Not to Scale



Date	Record of Station
11/2/80	SIGNAL REPLACED BY WARRINGOH SHIRE COUNCIL

GEODETIC SURVEY OF N.S.W.

CENTRAL MAPPING AUTHORITY

GEODETIC STATION RECONNAISSANCE and MAINTENANCE REPORT

Description:

1. Cleared by lanes bearing.....
 Note: Cross out word or words which do not apply
 from Trig. Mast

2. Mast & Vanes have been painted white & black respectively.

3. The station/pillar was unpiled/not unpiled/constructed on..... 19....., dimensions now being:

Description of mark.....should be explicit, e.g., S/Steel Pillar Plate, Steel plug, Brass plug, Bolt, G.I. Pipe

Height of mark.....m. above below rock/concrete; Mark is.....m. above below G.L.

Height of Top Vanes to ~~Top Mast~~/Pillar plate/.....m. Diameter of Vanes (vertical)...../.....m.

Height of Cairn.....m. Diameter of Cairn.....m. Name Plate found/not found/placed.

Length of Mast.....m. (approximate if not unpiled)

4. A.....set in conc/rock has been placed/found, bearing.....°M from Mast/Plug/Pillar

5. A.....set in conc/rock has been placed/found, bearing.....°M from Mast/Plug/Pillar

6. A.....set in conc/rock has been placed/found, bearing.....°M from Mast/Plug/Pillar

7. A.....set in conc/rock has been placed/found, bearing.....°M from Mast/Plug/Pillar

8. Action required:.....

STANDPOINT:

STANDPOINT:

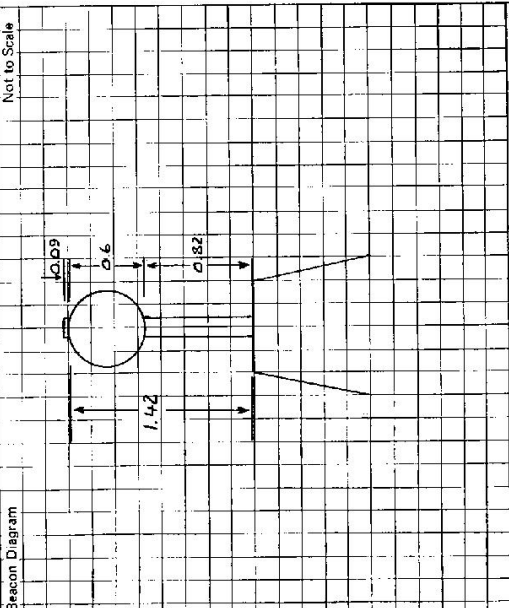
Mark	Direction	Horiz. Distance	Height Difference	Mark	Direction	Horiz. Distance	Height Difference
			above standpt				above standpt
			below				below
			above standpt				above standpt
			below				below
			above standpt				above standpt
			below				below
			above standpt				above standpt
			below				below
			above standpt				above standpt
			below				below
			above standpt				above standpt
			below				below

Prepared by: J. J. J. J.

Noted on U.T.M. Card

Checked

STATION: TURINNETTA (P) No.: L-4-7A
 MAP SHEETS SCALE 1:250 000 SYDNEY S1/56-S SCALE 1:100 000 SYDNEY 9/30
 INSPECTED BY: SURVEY CONTROL DATE: 26. 10. 83
 AUTHORITY: CROWN LANDS OFFICE FIELD BOOK:

STATION TURINETTA (P)	Owner's Name: Address: Phone: Current Occupant: Address: Phone: ACCESS Access Report of/...../19.....was found suitable/unsuitable.
Beacon Diagram Not to Scale 	This section to be completed by officer constructing pillar. Original station mark found/not found. Description of mark: Original beacon found/not found. Description of beacon: Height Top of Vanes to Top Markm. Height of markm. above G.L. below rock/concm. below Diameter of Vanesm. Height of Cairnm. Original Beacon has/has not been destroyed by me.
Date 26.10.53	Record of Station Mast and vanes placed by Surveyor General, British Colonial, South Africa

75-193

Department of Lands
Integral Survey of N.S.W.
RECONNAISSANCE and MAINTENANCE REPORT

This Trig. Station has been:-

Noted: Cross out word or words which do not apply

1. ~~Completely cleared to permit 360° vision to surrounding Trig.~~
2. ~~Cleaned by lens-bearing~~ REPAIRED CAPSTONE from Trig-Mast
3. Trig. Mast & Vanes have been painted white & black respectively.
4. ~~The Trig. was unpiled/not-unpiled, dimensions not being:~~

Description of mark should be explicit, e.g. Steel plug, Brass plug, Ball, Concrete Pillar

Height of mark m ^{above} rock, concrete m ^{below} G.L.

Height of Top Vanes to Top Mark/Top pillar plate m Diameter of Vanes (vertical) m.

Height of Cairn m. Diameter of Cairn m.

Length of Mast m. (approximate if not unpiled)

5. A. set in conc./rock has been placed/d m. bearing°M from Trig. Mast/pillar
6. A. set in conc./soil has been placed/d m. bearing°M from Trig. Mast/pillar
7. A. set in conc./soil has been placed/d m. bearing°M from Trig. Mast/pillar
8. A. set in conc./rock has been placed/d m. bearing°M from Trig. Mast/pillar

9. Connection to m. bearing°M
10. Connection to m. bearing°M
11. Connection to m. bearing°M
12. Connection to m. bearing°M

13. Diff. Ht. is m. ^{above} below
14. Diff. Ht. is m. ^{above} below
15. Diff. Ht. is m. ^{above} below
16. Diff. Ht. is m. ^{above} below

Prepared by: _____

Checked: _____

STATION **TURIMETTA (P) TS 4478**

Co: _____ Ph: _____

Map Sheet: **MONA VALE** No: _____

Inspected by: **P. MADDEN** Date: **30.5.87**

Authority: **Survey Control Branch** Field Book: _____

Beacon Diagram Not to Scale

Date: _____ Record of Station

30.5.87 Mast & Vanes replaced - previous mast and vanes destroyed by vandals

STATION / TURIMETTA TS, 4478

Owners Name:
 Current Occupant:
 Address:
 Address:

Access 23/3/1977 ON TURIMETTA HEAD NORTH NARRABEEN
 UED MAP 18 D5.
 From Narrabeen Park Rd, Narrabeen, turn east onto track just south of Turimetta Head, 2 WD to TS.

