

CENTRAL MAPPING AUTHORITY  
Department of Lands

Trigonometrical Survey of N.S.W.

RECONNAISSANCE and MAINTENANCE REPORT

This Trig. Station has been:-

Note: Cross out word or words which do not apply

1. Completely cleared to permit 360° vision to surrounding Trigs.
2. Cleared by lanes bearing..... from Trig. Mast
3. Trig. Mast & Vanes have been painted white & black respectively.
4. The Trig. ~~was unspiled/not unspiled~~, dimensions now being: .....

Description of mark: STEEL. OVER/ROD. T. CONCRETE. PLUG should be explicit, e.g. Steel plug, Brass plug, Bolt, G.I. Pipe

Height of mark..... m above rock/concrete ..... m above G.L.  
below  
Height of Top Vanes to Top Mark... 2.67... m. Diameter of Vanes (vertical) 0.31... m.  
Height of Cairn..... m. Diameter of Cairn..... m.  
Length of Mast... 5.1... m. (approximate if not unspiled)

5. A..... set in conc/rock has been placed..... m. bearing.....°M from Trig. Mast
6. A..... set in conc./soil has been placed..... m. bearing.....°M from Trig. Mast
7. A..... set in conc./soil has been placed..... m. bearing.....°M from Trig. Mast
8. A..... set in conc/rock has been placed..... m. bearing.....°M from Trig. Mast

9. Connection..... to..... m. bearing.....°M
10. Connection..... to..... m. bearing.....°M
11. Connection..... to..... m. bearing.....°M
12. Connection..... to..... m. bearing.....°M

13. Diff. Ht. .... is..... m. above below
14. Diff. Ht. .... is..... m. above below
15. Diff. Ht. .... is..... m. above below
16. Diff. Ht. .... is..... m. above below

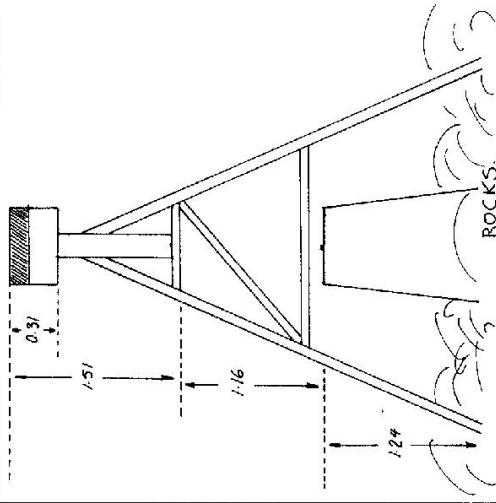
Prepared by: G. DICKSON T.S. Checked: John Brown 12-5-77 Noted on U.T.M. Card

Checked Alan Woodruff 27/3/79.

STATION TOWNSEND G.S. 4436

Map Sheet: KOSCIOUSKO No: 8525  
Inspected by: G. DICKSON Date: 11-2-77  
Authority: CENTRAL MAPPING. Field Book: DVS28

Beacon Diagram Not to Scale



Date Record of Station

