

74086

CENTRAL MAPPING AUTHORITY
Department of Lands
Trigonometrical Survey of N.S.W.
RECONNAISSANCE and MAINTENANCE REPORT

STATION **TOOMA** TS **4409**
Co: **Selwyn** Ph: **Tooma**
Map Sheet: **Yarrangobilly** No: **8526-ZW-S**
Inspected by: **M. D. Bange** Date: **21st January 1977**
Authority: **Cartographic Mapping** Field Book: **BY Yarrangobilly S**
Beacon Diagram: **Not to Scale**

Note: Cross out word or words which do not apply

This Trig. Station has been:-

1. Completely cleared to permit 360° vision to surrounding Trigs.
2. Cleared by ~~James bearing~~ **James bearing**
3. Trig. Mast & Vanes have been painted white & black respectively.
4. The Trig. was ~~unpiled/not unpiled~~, dimensions now being: ~~Trig. Station Mark found not found~~ should be explicit, e.g. Steel plug, Brass plug, Bolt, G.L. Pipe

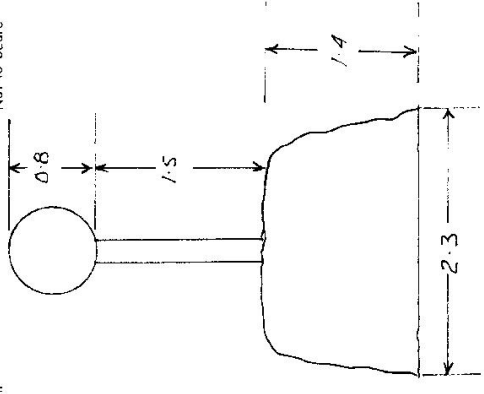
Description of mark: m above rock/concrete m below G.L.
Height of Top Vanes to Top Mark: **1.4** m. Diameter of Vanes (vertical): **0.8** m.
Height of Cairn: **1.4** m. Diameter of Cairn: **2.3** m.

Length of Mast: **2.7** m. (approximate if not unpiled)

5. A. set in conc/rock has been placed m. bearing °M from Trig. Mast
6. A. set in conc/soil has been placed m. bearing °M from Trig. Mast
7. A. set in conc/soil has been placed **1.6** m. bearing °M from Trig. Mast
8. A. set in conc/rock has been placed **1.6** m. bearing °M from Trig. Mast

9. Connection to: **Applicable** m. bearing °M **Note: Site suitable for pillar**

10. Connection to: **No** m. bearing °M
11. Connection to: **No** m. bearing °M
12. Connection to: **No** m. bearing °M
13. Diff. Ht. is: m. above below
14. Diff. Ht. is: m. above below
15. Diff. Ht. is: m. above below
16. Diff. Ht. is: m. above below



Date: Record of Station:

Prepared by: **M. Bange 4-2-77** Checked: **M. Bange 2/3/77** Noted on U.T.M. Card

Checked

STATION TOOMA TS 4409

Owners Name.....
 Current Occupant.....
 Address.....
 Address.....

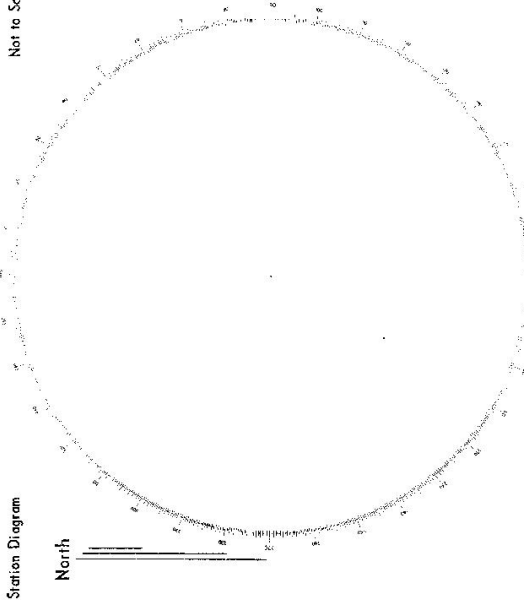
21-1-1977

Access Refer to Tooma 8526-III-S 1:25,000

Scale 1:25,000



Not to Scale



List of Observed Directions:--

Standpoint:	
Station	Direction

Station	Direction

