

75-R

Department of Lands

Intelligence Survey of N.S.W.
RECONNAISSANCE and MAINTENANCE REPORT 4327

STATION TERRIGAL (P) TS 4327

Co: _____ Ph: _____
 Map Sheet: _____ No: _____
 Inspected by: **H.J GREEN** Date: **22-11-76**
 Authority: **DEPT LANDS** Field Book: _____

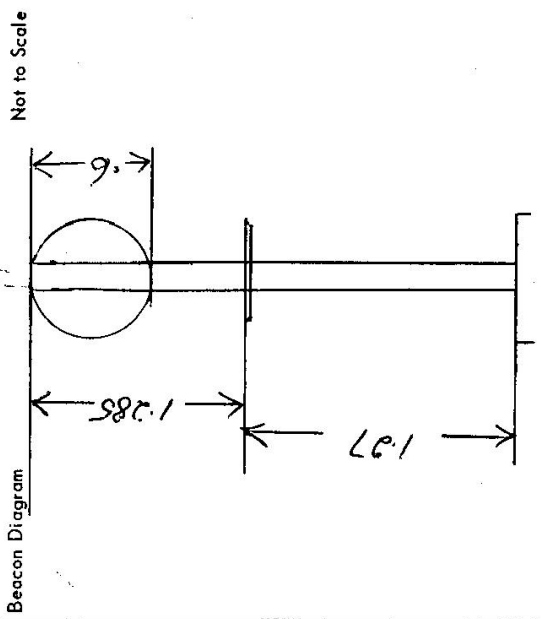
This Trig. Station has been:-
 Note: Cross out word or words which do not apply

1. Completely cleared to permit 360° vision to surrounding Trigs.
2. Cleared by lanes bearing ✓
3. Trig. Mast & Vanes have been painted white & black respectively. ✓ from Trig. Mast
4. The Trig. was unpiled/not unpiled, dimensions now being:

Description of mark: **ROOF TOP BEACON OF WATER RESERVOIR** should be explicit, e.g. Steel plug, Brass plug, Bolt, Concrete Pillar
 Height of mark: **1.27** m above **rock/concrete** m below **G.L.**
 Height of Top Vanes to ~~Top Mast~~ Top pillar plate: **1.285** m Diameter of Vanes (vertical)..... m.
 Height of Cairn..... m. Diameter of Cairn..... m.

- Length of Mast..... m. (approximate if not unpiled)
5. A..... set in conc/rock has been placed/ld m. bearing°M from Trig. Mast/pillar
 6. A..... set in conc/soil has been placed/ld m. bearing°M from Trig. Mast/pillar
 7. A..... set in conc/soil has been placed/ld m. bearing°M from Trig. Mast/pillar
 8. A..... set in conc/rock has been placed/ld m. bearing°M from Trig. Mast/pillar

9. Connection..... to..... m. bearing.....°M
10. Connection..... to..... m. bearing.....°M
11. Connection..... to..... m. bearing.....°M
12. Connection..... to..... m. bearing.....°M
13. Diff. Ht. is..... m. above below
14. Diff. Ht. is..... m. above below
15. Diff. Ht. is..... m. above below
16. Diff. Ht. is..... m. above below



Date	Record of Station
22-11-76	Roof Top Beacon set on side of water Reservoir. H.J Green.

Prepared by: H.J Green Checked: H.J Green



STATION TERRIGAL (P)

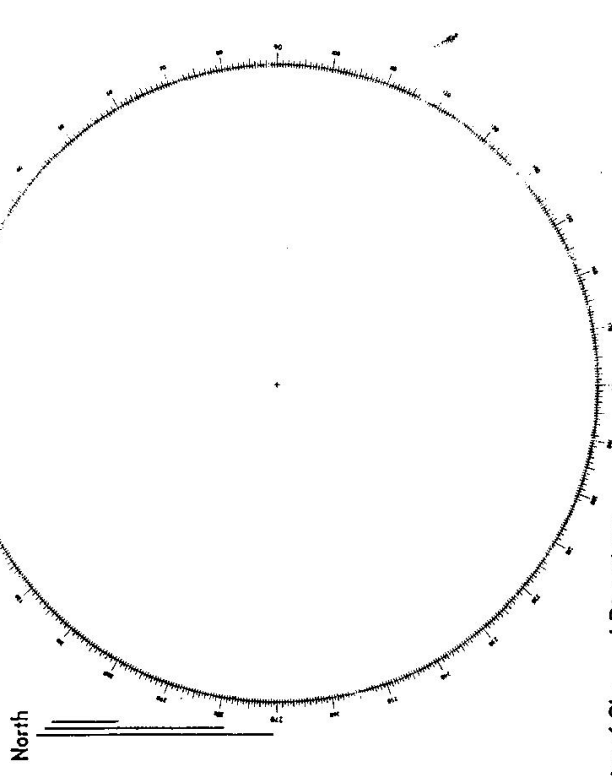
TS 4327

Owners Name.....
 Current Occupant.....

Address.....
 Address.....

22-11-1976
 Access TREVALLY Avn. Terrigal
 See Geosave Central Coast Map.

Station Diagram
 Not to Scale



List of Observed Directions:-

Standpoint:		Standpoint:	
Station	Direction	Station	Direction

7.4.10.3

Department of Lands Integrative Survey of N.S.W. RECONNAISSANCE and MAINTENANCE REPORT

STATION TS 4327 TERRACE (P) TS 4327
 Co: Northumberland Ph: Kinumber
 Map Sheet: Gosford No: 9131
 Inspected by: P. W. Smith Date: 12-6-78
 Authority ISD NICLE Field Book: PDP 952

Note: Cross out word or words which do not apply

This Trig. Station has been:-

1. Completely cleared to permit 360° vision to surrounding Trigs. ✓
2. Cleared by ~~lines~~ bearing ~~from Trig.~~ Mast ✓
3. Trig. Mast & Vanes have been painted white & black respectively. ✓
4. The Trig. was unpiled/~~not unpiled~~, dimensions now being:

Description of mark ~~Steel pillar~~ should be explicit, e.g. Steel plug, Brass plug, Bolt, Concrete Pillar

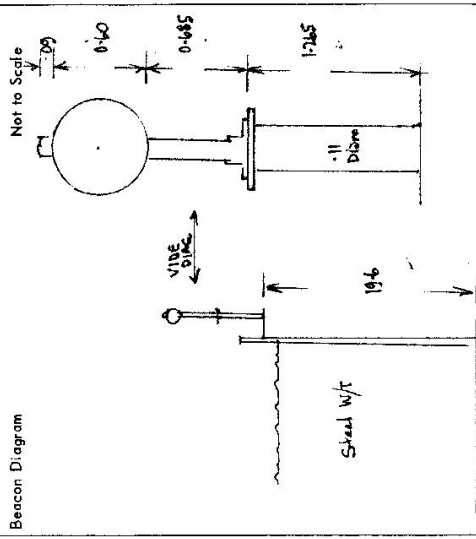
Height of mark ~~2.265 m below rock/concrete~~ ~~20.285 m above G.L.~~
 Height of Top Vanes to Top Mark/Top pillar plate ~~1.285 m~~ Diameter of Vanes (vertical) ~~0.60 m~~
 Height of Cairn ~~1.265 m~~ Diameter of Cairn ~~0.11 m~~
 Length of Mast ~~1.375 m~~ (approximate if not unpiled)

5. A. ~~set in conc/rock has been placed/td~~ m. bearing ~~°M~~ from Trig. Mast/pillar
6. A. ~~set in conc/soil has been placed/td~~ m. bearing ~~°M~~ from Trig. Mast/pillar
7. A. ~~set in conc/soil has been placed/td~~ m. bearing ~~°M~~ from Trig. Mast/pillar
8. A. ~~set in conc/rock has been placed/td~~ m. bearing ~~°M~~ from Trig. Mast/pillar

9. Connection ~~to~~ m. bearing ~~°M~~
10. Connection ~~to~~ m. bearing ~~°M~~
11. Connection ~~to~~ m. bearing ~~°M~~
12. Connection ~~to~~ m. bearing ~~°M~~

13. Diff. Ht. ~~is~~ m. ~~above~~ ~~below~~
14. Diff. Ht. ~~is~~ m. ~~above~~ ~~below~~
15. Diff. Ht. ~~is~~ m. ~~above~~ ~~below~~
16. Diff. Ht. ~~is~~ m. ~~above~~ ~~below~~

Prepared by: *[Signature]* Checked: *[Signature]*

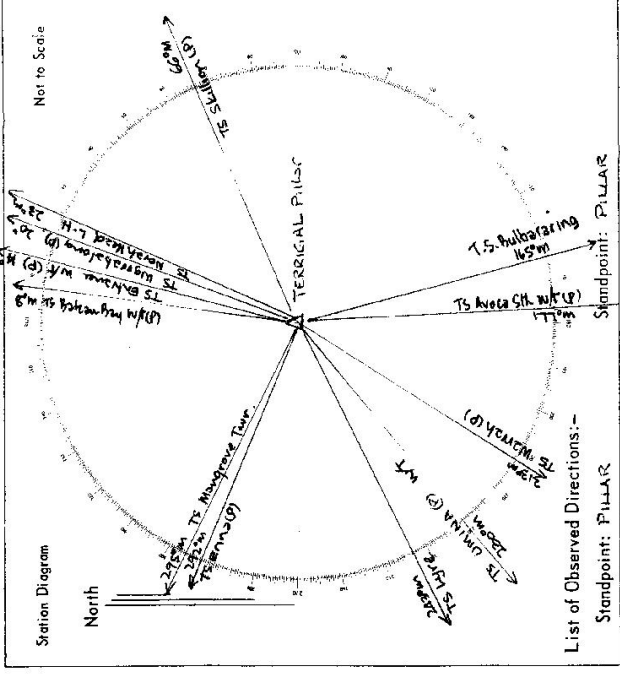


Date	Record of Station
Aug 76	After Erection

STATION TS 4327 TE 6A (P)

Owners Name: Gosford Shire Council
 Current Occupant:
 Address: Gosford
 Address:

Access 12-6-1976
 Bellevue Rd - Terrigel
 Access key available from Gosford Shire Council.



List of Observed Directions:-

Standpoint: PILLAR		Standpoint: PILLAR	
Station	Direction	Station	Direction
T.S. ERINA (P)	202°00'00"	T.S. ERINA (P)	202°00'00"
T.S. MANSRAVE TWR	205°20'08.5"	T.S. MANSRAVE TWR	205°20'11.1"
T.S. CH. 5 TWR	357°13'54.8"	T.S. BULBARRING	164°55'41.6"
T.S. BATEAUBAY (P)	8°15'31.8"	T.S. AVOCA SOUTH (P)	176°53'52.2"
T.S. ENTRANCE (P)	13°51'01.5"	T.S. WARRAH (P)	212°36'06.4"
↓			
Station	Direction	Station	Direction
T.S. WARRAH (P)	20.11.21.4	T.S. WARRAH (P)	220°46'33.0"
T.S. NORTH HEAD H/H	22.28.57.5	T.S. WARRAH (P)	242°32'42.2"
T.S. SKULLION (P)	65.45.43.8		

NON-GEODETIC

GEODETIC SURVEY OF N.S.W.

CENTRAL MAPPING AUTHORITY

GEODETIC STATION RECONNAISSANCE and MAINTENANCE REPORT

Description:

1. Cleared by ~~trig bearing~~ ^{To PERMIT 360° VISION} ✓ from Trig. Mast

2. Mast & Vanes have been painted white & black respectively. ✓
 MAINTAINED

3. The station/pillar was ~~unavailable~~ ^{CRACKED} on 17.5.1985. Dimensions now being:

Description of mark: ~~ST. PILLAR~~ ^{ON WATER RESERVOIR} should be explicit, e.g., S/Steel Pillar Plate, Steel plug, Brass plug, Bolt, G.I. Pipe
 Height of mark: 1.270 m. ^{above rock/concrete} _{below G.L.} Mark is ~~rock/concrete~~ ^{above G.L.}

Height of Top Vanes to Top Mark/Pillar plate 1.230 m. Diameter of Vanes (vertical) 1.50 m. ✓

Height of Cairn.....m. Diameter of Cairn.....m. Name Plate found/~~not found~~/placed.

Length of Mast 1.365 m. (approximate if not supplied)

4. A.....set in conc/rock has been placed/found, bearing.....° M from Mast/Plug/Pillar

5. A.....set in conc/rock has been placed/found, bearing.....° M from Mast/Plug/Pillar

6. A.....set in conc/rock has been placed/found, bearing.....° M from Mast/Plug/Pillar

7. A.....set in conc/rock has been placed/found, bearing.....° M from Mast/Plug/Pillar

8. Action required:.....

STANDPOINT:

STANDPOINT:

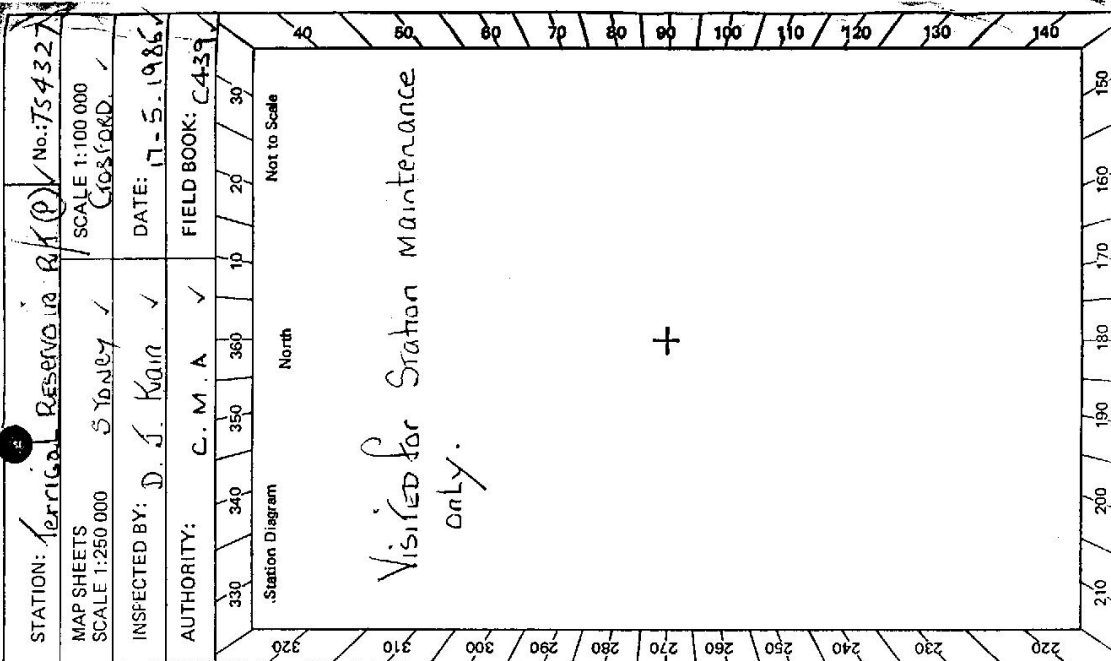
Mark	Direction	Horiz. Distance	Height Difference	Mark	Direction	Horiz. Distance	Height Difference
			above standpt. below				above standpt. below
			above standpt. below				above standpt. below
			above standpt. below				above standpt. below
			above standpt. below				above standpt. below
			above standpt. below				above standpt. below
			above standpt. below				above standpt. below
			above standpt. below				above standpt. below

Prepared by: D. Kain

Checked: P. BATE 267.85

Noted on U.T.M. Card

Checked



STATION: Terrigal RESERVOIR R.K.P. No: TS4327

MAP SHEETS SCALE 1:250 000 S. Tooley ✓

INSPECTED BY: D. J. Kain ✓ DATE: 17-5-1985

AUTHORITY: C. M. A ✓ FIELD BOOK: C4-39

330 340 350 360 370 380 390
 Station Diagram North
 Not to Scale

320 310 300 290 280 270 260 250 240 230 220
 210 200 190 180 170 160 150 140
 Visited for Station Maintenance only.

STATION **VERRIGAL RESERVOIR (T) PILLAR**

IS 4327

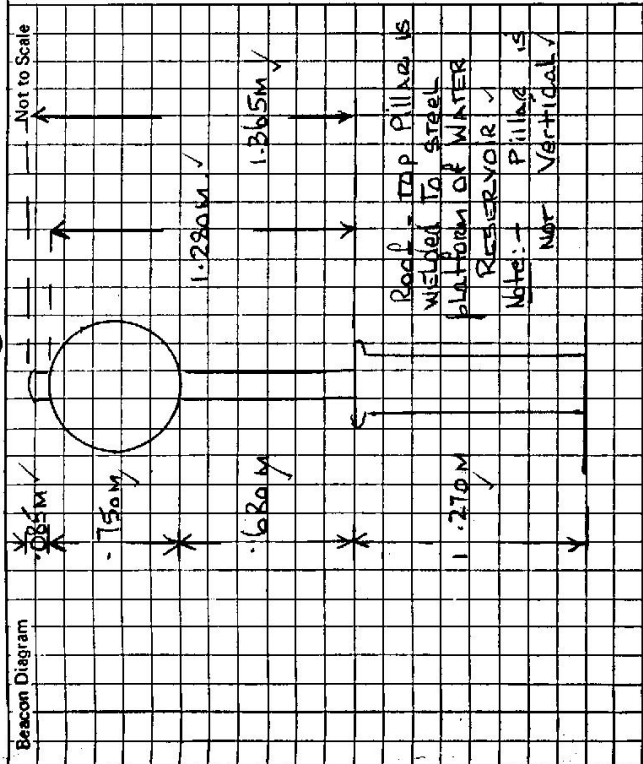
Owner's Name:
 Address:
 Phone:

Current Occupant:
 Address:
 Phone:

ACCESS

Access Report of 17/5/1985 was found suitable/unsuitable.

Note:- KEY FOR DOOR ON LOCKED STAIRCASE TO GAIN ACCESS TO THIS STATION IS OBTAINABLE FROM,
 MR. FRANK PRESLEY,
 ERINA SHIRE COUNCIL YARD. ✓



This section to be completed by officer constructing pillar.

Original station mark found/not found.

Description of mark:

Original beacon found/not found.

Description of beacon:

Height Top of Vanes to Top Markm.

Height of markm. above G.L. below rock/conc

Diameter of Vanesm.

Height of Cairnm.

Original Beacon has/has not been destroyed by me.

Date	Record of Station