

CENTRAL MAPPING AUTHORITY  
Department of Lands

Trigonometrical Survey of N.S.W.

RECONNAISSANCE and MAINTENANCE REPORT

This Trig. Station has been:-

Note: Cross out word or words which do not apply

1. Completely cleared to permit 360° vision to surrounding Trigs.
2. Cleared by lanes bearing..... from Trig. Mast
3. Trig. Mast & Vanes have been painted white & black respectively.
4. The Trig. was unpiled/not unpiled, dimensions now being:

Description of mark... TRIG. PIPE IN ROCK FD ... should be explicit, e.g. Steel plug, Brass plug, Balr, G.I. Pipe  
 Height of mark..... m above rock/concrete ..... m above G.L.  
 Height of Top Vanes to Top Mark..... m. Diameter of Vanes (vertical)..... m.

Height of Cairn..... m. Diameter of Cairn..... m.  
 Length of Mast..... m. (approximate if not unpiled)  
 5. A. ~~set~~ set in conc/rock has been placed..... m. bearing.....°M from Trig. Mast  
 6. A. G.I. Pipe set in conc/~~soil~~ has been placed. 2.953 m. bearing.....°M from Trig. Mast Plug  
 7. A. Copper Nail set in conc/~~soil~~ has been placed. 3.224 m. bearing.....°M from Trig. Mast Plug  
 8. A. set in conc/rock has been placed..... m. bearing.....°M from Trig. Mast

9. Connection: G.I. Pipe to Copper nail . 3.877 m. bearing.....°M
10. Connection..... to..... m. bearing.....°M
11. Connection..... to..... m. bearing.....°M
12. Connection..... to..... m. bearing.....°M
13. Diff. Ht. G.I. Pipe is 0.038 m. Trig. Plug  
 .. below ..
14. Diff. Ht. Copper nail is 0.014 m. Trig. Plug  
 .. below ..
15. Diff. Ht. G.I. Pipe is 0.073 m. Copper nail  
 .. below ..
16. Diff. Ht. is..... m. above .. below ..

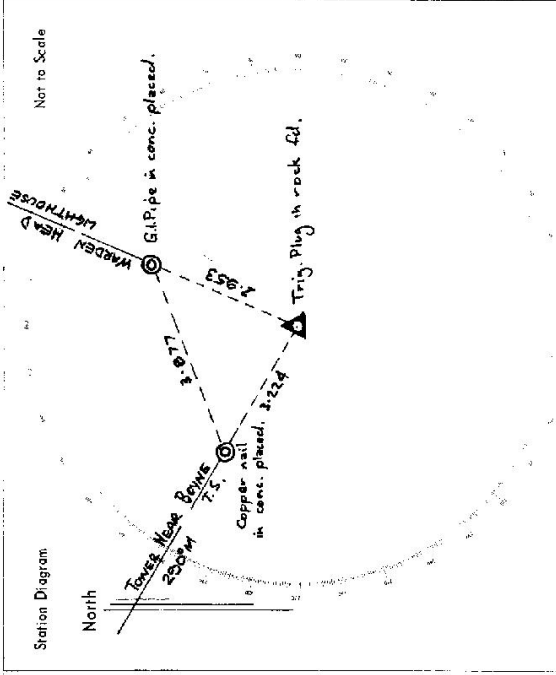
Prepared by: Paul Chay 01/6/76 Checked: Noted on U.T.M. Card

STATION TERMEL G.S. TS 4315  
 Co: ST. VINCENT Ph: TERMEL  
 Map Sheet: ULLADULLA SOUTH No: 8927  
 Inspected by: H. BORDER Date: 4-4-74  
 Authority: C.M.A. Field Book: 01382  
 Beacon Diagram: Not to Scale

Date..... Record of Station.....

STATION TERMEIL G.S. IS 4315

Owners Name.....  
 Address.....  
 Access.....  
 Current Occupant.....  
 Address.....  
 Access.....



List of Observed Directions:-

Standpoint: Trig Plug in rock fld.      Standpoint: \_\_\_\_\_

Station	Direction	Station	Direction
WARDEN HEAD	L.M. 359 59 60		
G.P. Pipe in conc. placed	359 59 57		
Copper nail in conc. placed	282 26 30		
TOWER NEAR BOYNE	T.S. 282 28 00		

Station	Direction	Station	Direction

CENTRAL MAPPING AUTHORITY  
Department of Lands

Trigonometrical Survey of N.S.W.

RECONNAISSANCE and MAINTENANCE REPORT

STATION **TERMEIL G.S. Pillar** IS **4315**

This Trig. Station has been:-

Note: Cross out word or words which do not apply

1. Completely cleared to permit 360° vision to surrounding Trigs.
2. Cleared by lanes bearing ..... from Trig. Mast
3. Trig. Mast & Vanes have been painted white & black respectively.
4. The Trig. was unpiled/not unpiled, dimensions now being:

Description of mark **Concrete Obs. Pillar** ..... should be explicit, e.g. Steel plug, Brass plug, Balr, G.I. Pipe  
 Height of mark ..... m above rock/concrete ..... m above G.L.  
 Height of Top Vanes to Top Mark **1.485** m. Diameter of Vanes (vertical) **0.755** m.  
 Height of Cairn ..... m. Diameter of Cairn ..... m.

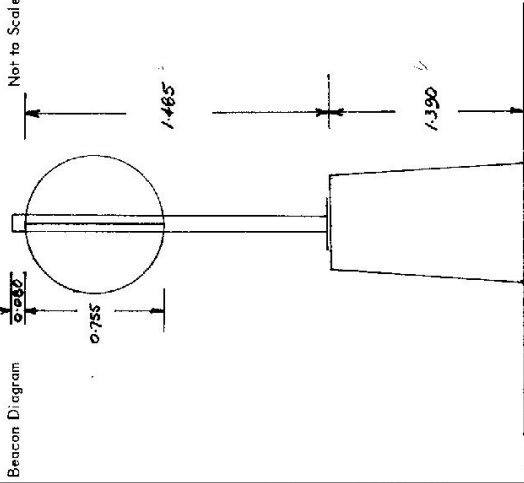
Length of Mast **1.565** m. (approximate if not unpiled)  
 5. **A. G.I. Pipe** set in conc/rock has been placed **2.954** m. bearing .....°M from Trig. Mast Pillar  
 6. **Copper nail** set in conc/soil has been placed **3.225** m. bearing .....°M from Trig. Mast Pillar  
 7. **A** set in conc/soil has been placed ..... m. bearing .....°M from Trig. Mast  
 8. **A** set in conc/rock has been placed ..... m. bearing .....°M from Trig. Mast

9. Connection **G.I. Pipe** to **Copper nail** **3.876** m. bearing .....°M  
 10. Connection ..... to ..... m. bearing .....°M  
 11. Connection ..... to ..... m. bearing .....°M  
 12. Connection ..... to ..... m. bearing .....°M  
 13. Diff. Ht. **G.I. Pipe** is **1.586** m. <sup>below</sup> Trig. Pillar Plate  
 14. Diff. Ht. **Copper nail** is **1.576** m. <sup>below</sup> Trig. Pillar Plate  
 15. Diff. Ht. **G.I. Pipe** is **0.020** m. <sup>below</sup> Copper nail  
 16. Diff. Ht. is ..... m. <sup>above</sup> / <sup>below</sup> .....

Noted on U.T.M. Card

Prepared by: *Paul Shep* 19/6/76 Checked:

Co: **ST. VINCENT** Ph: **TERMEIL**  
 Map Sheet: **ULLADULLA South** No: **8927**  
 Inspected by: **H. BORDER** Date: **28-2-75**  
 Authority: **C.M.A.** Field Book: **01382**



Beacon Diagram  
 Not to Scale  
 0.755  
 1.485  
 1.390  
 Date  
 Record of Station

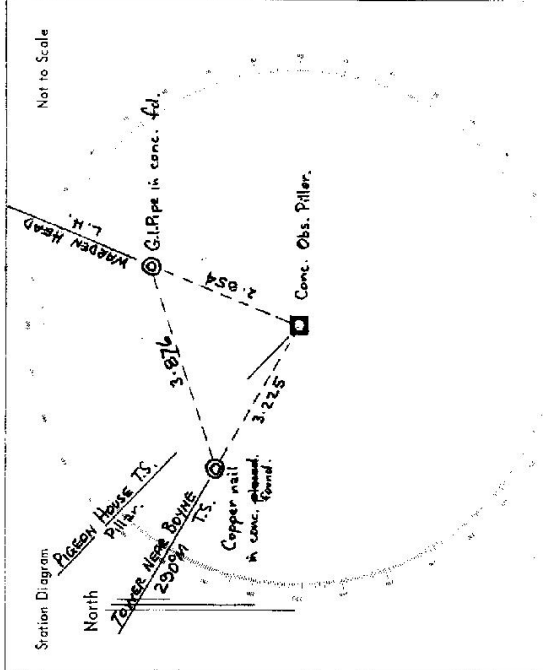
Checked

STATION **TERMEIL G.S. PILLAR TS 4315**

Owners Name.....  
 Current Occupant.....  
 Address.....

Address.....  
 Access.....

Not to Scale



List of Observed Directions:-

Station	Direction	Station	Direction
TOWER NEAR BOYNE IS.	359 58 60		
PIESON HOUSE IS. (Pillar)	14 46 45		
WARDEN HEAD L.H.	77 31 15		
G.I. Pipe in conc. found.	77 31 09		
Copper nail in conc. found.	359 58 21		

GEODETIC SURVEY OF N.S.#:

CENTRAL MAPPING AUTHORITY

GEODETIC STATION RECONNAISSANCE and MAINTENANCE REPORT

Description:

Note: Cross out word or words which do not apply

1. Cleared by lances bearing..... from Trig. Mast
2. Mast & Vanes have been painted white & black respectively,
3. The station/pillar was unpiled/not unpiled/constructed on..... 19....., dimensions now being:  
Description of mark.....should be explicit, e.g., S/Steel Pillar Plate, Steel plug, Brass plug, Bolt, G.I. Pipe  
Height of mark.....m. above rock/concrete; Mark is.....m. above G.L.  
Height of Top Vanes to Top Mark/Pillar plate .....m. Diameter of Vanes (vertical).....m.  
Height of Cairn.....m. Diameter of Cairn.....m. Name Plate found/not found/placed.  
Length of Mast .....m. (approximate if not unpiled)
4. A.....set in conc/rock has been placed/found, bearing.....° M from Mast/Plug/Pillar
5. A.....set in conc/rock has been placed/found, bearing.....° M from Mast/Plug/Pillar
6. A.....set in conc/rock has been placed/found, bearing.....° M from Mast/Plug/Pillar
7. A.....set in conc/rock has been placed/found, bearing.....° M from Mast/Plug/Pillar
8. Action required:.....

STANDPOINT:

Mark	Direction	Horiz. Distance	Height Difference	Mark	Direction	Horiz. Distance	Height Difference
			above standpt.				above standpt.
			below				below
			above standpt.				above standpt.
			below				below
			above standpt.				above standpt.
			below				below
			above standpt.				above standpt.
			below				below
			above standpt.				above standpt.
			below				below
			above standpt.				above standpt.
			below				below

Prepared by:

Checked:

Noted on U.T.M. Card

St 2733-1

STATION: **TERMEIL (P)** No.: **4315**

MAP SHEET **ULLADULLA**

SCALE 1:250 000

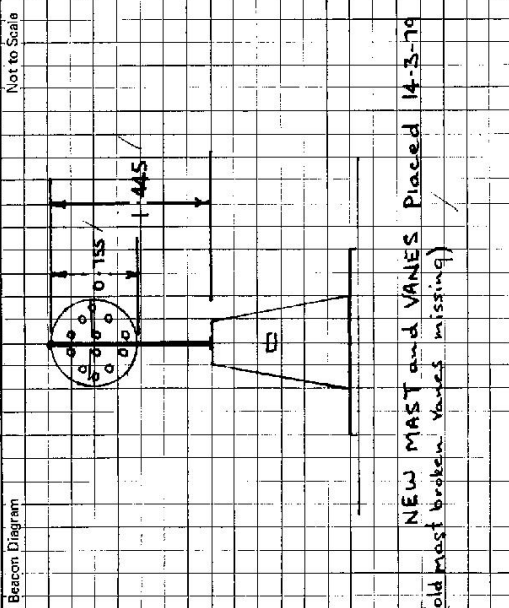
INSPECTED BY: **H.C. BORDER** DATE: **14-3-79**

AUTHORITY: **C.M.A** FIELD BOOK: **01655**

Station Diagram

Checked

G

STATION	TERMELL PILLAR TS 4315
<p>Owner's Name: .....</p> <p>Address: .....</p> <p>Phone: .....</p> <p>Access Report of ...../...../19.....was found suitable/unsuitable.</p>	<p>Current Occupant: .....</p> <p>Address: .....</p> <p>Phone: .....</p> <p style="text-align: center;"><u>ACCESS</u></p>
<p>Beacon Diagram</p>  <p style="text-align: center;">Not to Scale</p>	<p>This section to be completed by officer constructing pillar.</p> <p>Original station mark found/not found.</p> <p>Description of mark: .....</p> <p>Original beacon found/not found.</p> <p>Description of beacon: .....</p> <p>Height Top of Vanes to Top Mark .....m.</p> <p>Height of mark .....m. above G.L. below rock/cone .....m. below G.L.</p> <p>Diameter of Vanes .....m. Height of Cairn .....m.</p> <p>Original Beacon has/has not been destroyed by me.</p>
<p>Date</p>	<p>Record of Station</p>

Sr 2735-2 D. West, Government Printer

CENTRAL MAPPING AUTHORITY

GEODETIC STATION RECONNAISSANCE and MAINTENANCE REPORT

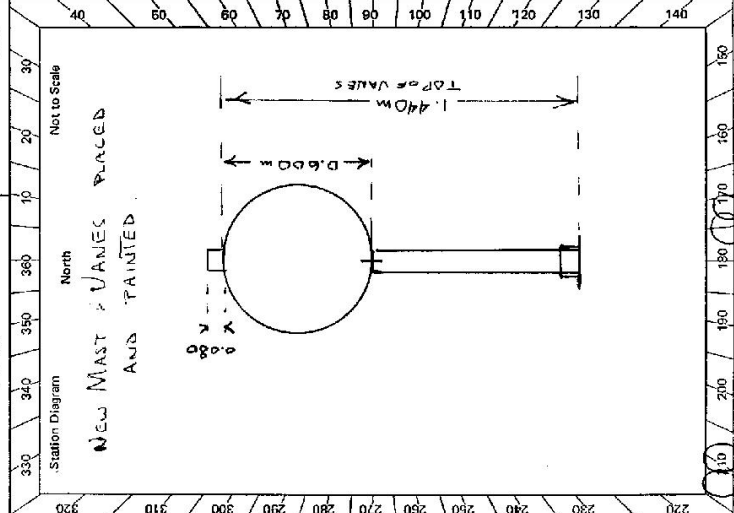
STATION: TERMEIL No: 4315

MAPSHEET SCALE 1:250 000 ULLADULLA SI/56-13

INSPECTED BY: C BOSLOPER DATE: 11-12-84

AUTHORITY: CMA FIELD BOOK: 405

- 1. Cleared by James bearings: Note: Cross out word or words which do not apply from Trig. Mast
- 2. Mast & Vanes have been painted white & black respectively.
- 3. The station/pillar was ~~erected~~ not unpiled/erected on 11.1.1984, dimensions now being: Description of mark: S/S (Steel) Pillar Plate, Steel plug, Brass plug, Bolt, G.I. Pipe
- Height of mark: ~~1.440 m~~ <sup>above</sup> ~~rock/concrete~~ <sub>below</sub> ~~1.440 m~~ <sup>above</sup> ~~G.L.~~ <sub>below</sub> ~~1.440 m~~
- Height of Top Vanes to Top Mast/Pillar plate: 1.440 m. Diameter of Vanes (vertical): 0.600 m.
- Height of Mast: 1.520 m. (approximate if not unpiled) Diameter of Cap: ~~1.440 m~~ Name Plate found/not found/placed.
- 4. A. ~~set in conc/rock has been placed/found, bearing 0° M from Mast/Plug/Pillar~~
- 5. A. ~~set in conc/rock has been placed/found, bearing 0° M from Mast/Plug/Pillar~~
- 6. A. ~~set in conc/rock has been placed/found, bearing 0° M from Mast/Plug/Pillar~~
- 7. A. ~~set in conc/rock has been placed/found, bearing 0° M from Mast/Plug/Pillar~~
- 8. Action required: ~~.....~~



STANDPOINT:				
Mark	Direction	Horiz. Distance	Height Difference	Mark
			above standpt.	
			below standpt.	
			above standpt.	
			below standpt.	
			above standpt.	
			below standpt.	
			above standpt.	
			below standpt.	
			above standpt.	
			below standpt.	
			above standpt.	
			below standpt.	
			above standpt.	
			below standpt.	

Prepared by: *[Signature]* Checked: *[Signature]* 13-1-85 Noted on U.T.M. Card