

CENTRAL MAPPING AUTHORITY
Department of Lands

Trigonometrical Survey of N.S.W.

RECONNAISSANCE and MAINTENANCE REPORT

This Trig. Station has been:-

Note: Cross out word or words which do not apply

- Completely cleared to permit 360° vision to surrounding Trigs.
- Cleared by lines bearing from Trig. Mast
- Trig. Mast & Vanes have been painted white & black respectively.

4. ~~The Trig. was unplied, not unplied, dimensions now being Tripod~~ Original Station Mark found ~~at~~ ~~at~~

Description of mark ~~in Bell, Bolt, in, Rock,~~ should be explicit, e.g. Steel plug, Brass plug, Bolt, G.I. Pipe

Height of mark m ^{above} _{below} rock/concrete m ^{above} _{below} G.L.
 Height of Top Vanes to Top Mark m Diameter of Vanes (vertical) m.
 Height of Cairn m. Diameter of Cairn m.

Length of Mast m. (approximate if not unplied)

- 5. A ~~Iron Bolt~~ set in ~~stone~~/rock has been placed 7.740 m. bearing 145° M from Trig. Mast
- 6. A ~~Iron Bolt~~ set in ~~stone~~/soil has been placed 3.286 m. bearing 288° M from Trig. Mast
- 7. A ~~A.I.S. Screw~~ set in ~~stone~~/soil has been placed 0.580 m. bearing 162° M from Trig. Mast
- 8. A ~~Iron Bolt~~ set in ~~stone~~/rock has been placed 21.431 m. bearing 288° M from Trig. Mast
- 9. Connection Bolt A. to Bolt B. : 10.108 m. bearing 345° M
- 10. Connection Bolt A. to Bolt C. : 21.868 m. bearing 248° M
- 11. Connection Bolt A. to A.I.S. Screw : 7.142 m. bearing 323° M
- 12. Connection to m. bearing M
- 13. Diff. Ht. Iron Bell in Rock A. is 0.040 m. ^{above} _{below} Trig. Mark
- 14. Diff. Ht. Iron Bolt in Rock B. is 0.265 m. ^{above} _{below} Trig. Mark
- 15. Diff. Ht. Iron Bolt in Rock C. is 0.510 m. ^{above} _{below} Trig. Mark
- 16. Diff. Ht. B.M. A.I.S. Screw is 0.040 m. ^{above} _{below} Trig. Mark

C.D. 21/1/76

Prepared by: *C.J. Brown* Checked: _____

Noted on U.T.M. Card

STATION No 3998 (S 29) T.S SHERBROOKE

Co: CAMDEN | Ph: WONDONA
 Map Sheet: WOLLONGONG SOUTH | No: 9029-S.
 Inspected by: C. J. BROWN | Date: 6/2 June, 1975
 Authority: C. M. A. | Field Book: 1382.
 Beacon Diagram: Not to Scale

Date	Record of Station

Checked

CENTRAL MAPPING AUTHORITY

Department of Lands

Trigonometrical Survey of N.S.W.

RECONNAISSANCE and MAINTENANCE REPORT

This Trig. Station has been:-

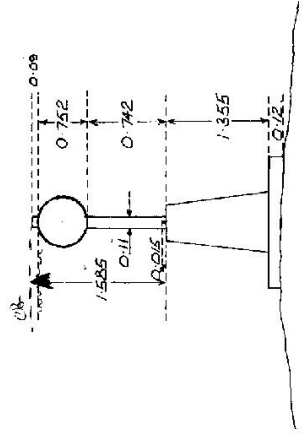
Note: Cross out word or words which do not apply

- 1. Completely cleared to permit 360° vision to surrounding Trigs.
- 2. Cleared by limes bearing..... from Trig. Mast
- 3. Trig. Mast & Vanes have been painted white & black respectively. ✓
- 4. The Trig. was unpiled/not unpiled, dimensions now being: Pillar ~~Original Station Mark found near found~~ Placed Description of mark ~~Concrete Observation Pillar~~ should be explicit, e.g. Steel plug, Brass plug, Bolt, G.I. Pipe Placed Concentric with Trig Mark

Height of mark..... m above rock/concrete..... m above below G.T.E.
 Height of Top Vanes to Top Mark..... m. Diameter of Vanes (vertical) 0.752 m.
 Height of Cairn..... m. Diameter of Cairn..... m.

- 5. A ~~Iron Bolt A~~ set in conc/rock has been placed... 7.702 m. bearing... 145° M from Trig. Mast
- 6. A ~~Iron Bolt B~~ set in ~~conc/soil~~ has been placed... 3.925 m. bearing... 288° M from Trig. Mast
- 7. A ~~Iron Bolt C~~ set in ~~conc/soil~~ has been placed... 21.427 m. bearing... 228° M from Trig. Mast
- 8. A..... set in conc/rock has been placed..... m. bearing.....° M from Trig. Mast
- 9. Connection ~~Bolt A~~ to ~~Bolt B~~... 10.102 m. bearing... 345° M
- 10. Connection ~~Bolt A~~ to ~~Bolt C~~... 21.856 m. bearing... 248° M
- 11. Connection..... to..... m. bearing.....° M
- 12. Connection..... to..... m. bearing.....° M
- 13. Diff. Ht. ~~Iron Bolt in Rock A~~ is 1.450 m. ~~above below~~ ~~Pillar Plate~~
- 14. Diff. Ht. ~~Iron Bolt in Rock B~~ is 1.835 m. ~~above below~~ ~~Pillar Plate~~
- 15. Diff. Ht. ~~Iron Bolt in Rock C~~ is 2.100 m. ~~above below~~ ~~Pillar Plate~~
- 16. Diff. Ht. is..... m. ~~above below~~

C B 21/1/16
 SENIOR TRIGONOMETRICAL SURVEYOR



Beacon Diagram Not to Scale

STATION 3998 (S 29) O.P. SHERBROOKE

Co: CAMDEN Ph: WONGONA

Map Sheet: WOLLONGONG SOUTH No: 9029-S

Inspected by: C. J. BROWN Date: 1st July, 1975.

Authority: C.M.A. Field Book: 1451

Date	Record of Station

Prepared by: C.J. Brown Checked: Noted on U.T.M. Card

STATION **S29 T.S. 3998**

Owners Name:

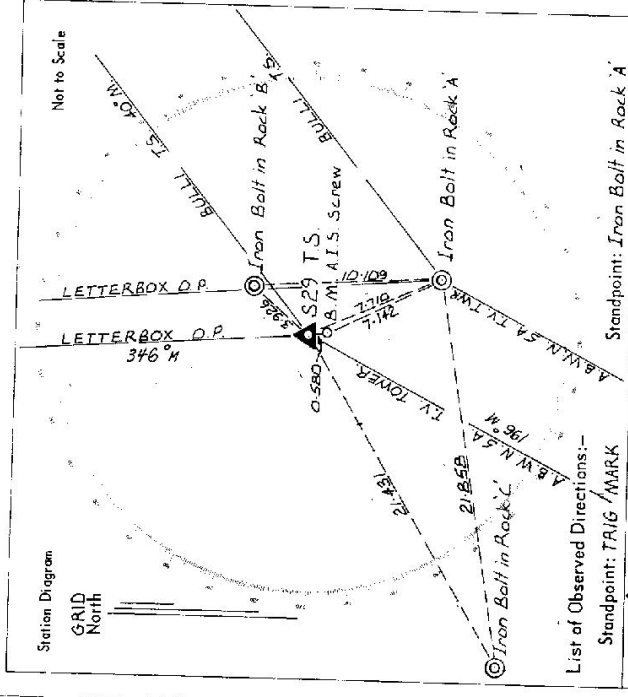
Address:

Access:

Current Occupant:

Address:

Access:



List of Observed Directions:-

Station	Direction	Station	Direction
BULLI T.S.	359.59.60	BULLI T.S.	359.59.60
Iron Bolt in Rock A	109.27	ABWN 5A T.V. TOWER	156.05.52
B.M. A.I.S. Screw	188.07	Iron Bolt in Rock C	208.42.00
ABWN 5A T.V. TOWER	155.59.56	B.M. A.I.S. Screw	284.09.30
Iron Bolt in Rock C	188.07.00	Trig Nail in Rock	1235.20.00
Letterbox O.P.	346.24	Iron Bolt in Rock B	305.36.40
Iron Bolt in Rock B	348.24	Letterbox O.P.	305.44.18

Standpoint: TRIG / MARK

Standpoint: Iron Bolt in Rock A