

Department of Lands

Integrated Survey of N.S.W.

RECONNAISSANCE and MAINTENANCE REPORT 3873

STATION **RED HEAD (P)** TS 3873

Co: **NORTHUMBERLAND** Ph: **KAHIBAH**

Map Sheet: **LAKE MACQUARIE** No: **9231 N.**

Inspected by: **A. GRAHAM** Date: **24/5/74.**

Authority: **DEPT LANDS** Field Book:

Beacon Diagram Not to Scale

Note: Cross out word or words which do not apply

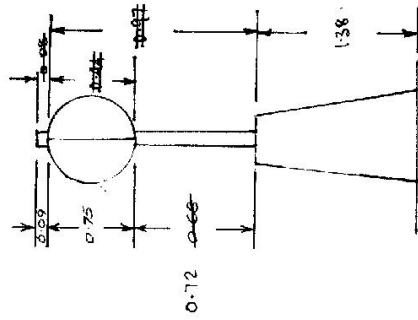
1. Completely cleared to permit 360° vision to surrounding Trigs.
2. Cleared by lanes bearing from Trig. Mast
3. Trig. Mast & Vanes have been painted white & black respectively.
4. The Trig. was unpiled/~~not~~ supported, dimensions now being:
 - Description of mark: ~~Concrete Pillar~~ **rock concrete** should be explicit, e.g. Steel plug, Brass plug, Bolt, Concrete Pillar
 - Height of mark: ~~1.38~~ **1.43** m above ~~rock concrete~~ **rock concrete** ~~below~~ **G.L.**
 - Height of Top Vanes to ~~Top Mark~~ **Top pillar plate** m Diameter of Vanes (vertical) ~~0.44~~ **0.75** m.
 - Height of Cairn m. Diameter of Cairn m.

5. A. set in conc/rock has been placed/fd m. bearing°M from Trig. Mast/pillar
6. A. set in conc/sail has been placed/fd m. bearing°M from Trig. Mast/pillar
7. A. set in conc/sail has been placed/fd m. bearing°M from Trig. Mast/pillar
8. A. set in conc/rock has been placed/fd m. bearing°M from Trig. Mast/pillar

9. Connection to m. bearing°M
10. Connection to m. bearing°M
11. Connection to m. bearing°M
12. Connection to m. bearing°M

13. Diff. Ht. is m. ^{above}/_{below}
14. Diff. Ht. is m. ^{above}/_{below}
15. Diff. Ht. is m. ^{above}/_{below}
16. Diff. Ht. is m. ^{above}/_{below}

Prepared by: **ASG** Checked: **11/1/77**



Date	Record of Station
11-2-76	Mast & Vanes replaced by A. Graham, Dept. Lands
	New Mast & Vanes 27.7 m. G.L. height 1.47 m

GEODETTIC SURVEY OF N.S.W.

CENTRAL MAPPING AUTHORITY

GEODETTIC STATION RECONNAISSANCE and MAINTENANCE REPORT

Description:

1. Cleared by lanes bearing.....
 Note: Cross out word or words which do not apply from Trig. Mast
2. Mast & Vanes have been painted white & black respectively. ✓
3. The station/pillar was ~~reconstructed~~ ^{INSPECTED} on.....19....., dimensions now being:
 Description of mark ~~Set in conc/rock~~ ^{Set in conc/rock} should be explicit, e.g., S/Steel Pillar Plate, Steel plug, Brass plug, Bolt, G.I. Pipe
 Height of mark.....m. ^{above} ~~below~~ ^{Set in concrete} ~~Mark is~~ ^{Mark is}.....m. ^{below} G.L.
 Height of Top Vanes to Top ~~Mark/Pillar plate~~ ^{Mark/Pillar plate}m. Diameter of Vanes (vertical) ~~0.15~~ ^{0.15} m.
 Height of Cairn.....m. Diameter of Cairn.....m. Name Plate ~~found~~ ^{found} / Cone ~~found~~ ^{found}.
 Length of Mast ~~1.535~~ ^{1.535} m. (~~approximately~~ ^{approximately})
4. A.....set in conc/rock has been placed/found, bearing.....°M from Mast/Plug/Pillar
5. A.....set in conc/rock has been placed/found, bearing.....°M from Mast/Plug/Pillar
6. A.....set in conc/rock has been placed/found, bearing.....°M from Mast/Plug/Pillar
7. A.....set in conc/rock has been placed/found, bearing.....°M from Mast/Plug/Pillar
8. Action required:.....

STANDPOINT:

Mark	Direction	Horiz. Distance	Height Difference	Mark	Direction	Horiz. Distance	Height Difference
			above standpt.				above standpt.
			below standpt.				below standpt.
			above standpt.				above standpt.
			below standpt.				below standpt.
			above standpt.				above standpt.
			below standpt.				below standpt.
			above standpt.				above standpt.
			below standpt.				below standpt.

Prepared by: D. K. G. I. O.

Checked: *[Signature]*

Noted on U.T.M. Card

ST 2733-1

STATION: RED HEAD PILLAR. No.: 3873
 MAP SHEET I: 100 000
 SCALE 1:250 000 SYDNEY LANE MARGINAL
 INSPECTED BY: D. J. Kain. DATE: 14.2.1990
 AUTHORITY: L. I. C. FIELD BOOK: 2439
 Station Diagram North
 Station was VISITED TO REPLACE MISSING MAST AND VANES AND Station MAINTENANCE
 +
 Station Diagram North
 320 310 300 290 280 270 260 250 240 230 220
 210 200 190 180 170 160 150 140

GS 24

STATION REDHEAD PILLAR TS 3873	<table style="width: 100%; border-collapse: collapse;"> <tr> <td style="width: 50%; border-right: 1px solid black;"> Owner's Name: Address: Phone: </td> <td style="width: 50%;"> Current Occupant: Address: Phone: </td> </tr> <tr> <td colspan="2"> Access Report of/19..... was found suitable/unsuitable. </td> </tr> </table>	Owner's Name: Address: Phone:	Current Occupant: Address: Phone:	Access Report of/19..... was found suitable/unsuitable.							
Owner's Name: Address: Phone:	Current Occupant: Address: Phone:										
Access Report of/19..... was found suitable/unsuitable.											
Sr 2723-2 D. West, Government Printer Beacon Diagram 0.17m 0.75m NEW METAL PILLAR * 14.7.90 0.685m 1.076m 0.37m SAND SAND	<table style="width: 100%; border-collapse: collapse;"> <tr> <td style="width: 50%; border-right: 1px solid black;"> Not to Scale </td> <td style="width: 50%;"> This section to be completed by officer constructing pillar. Original station mark found/not found. Description of mark: Original beacon found/not found. Description of beacon: Height Top of Vanes to Top Markm. Height of markm. above rock/concm. below G.L. Diameter of Vanesm. Height of Calmm. Original Beacon has/not been destroyed by me. </td> </tr> </table>	Not to Scale 	This section to be completed by officer constructing pillar. Original station mark found/not found. Description of mark: Original beacon found/not found. Description of beacon: Height Top of Vanes to Top Markm. Height of markm. above rock/concm. below G.L. Diameter of Vanesm. Height of Calmm. Original Beacon has/not been destroyed by me.								
Not to Scale 	This section to be completed by officer constructing pillar. Original station mark found/not found. Description of mark: Original beacon found/not found. Description of beacon: Height Top of Vanes to Top Markm. Height of markm. above rock/concm. below G.L. Diameter of Vanesm. Height of Calmm. Original Beacon has/not been destroyed by me.										
	<table style="width: 100%; border-collapse: collapse;"> <tr> <td style="width: 50%; border-right: 1px solid black;">Date</td> <td style="width: 50%;">Record of Station</td> </tr> <tr> <td style="border-right: 1px solid black;"> </td> <td> </td> </tr> <tr> <td style="border-right: 1px solid black;"> </td> <td> </td> </tr> <tr> <td style="border-right: 1px solid black;"> </td> <td> </td> </tr> <tr> <td style="border-right: 1px solid black;"> </td> <td> </td> </tr> </table>	Date	Record of Station								
Date	Record of Station										

