

CENTRAL MAPPING AUTHORITY
Department of Lands

Trigonometrical Survey of N.S.W.

RECONNAISSANCE and ~~TRIGONOMETRICAL~~ REPORT

STATION **RED**

TS **3865**

This Trig. Station has been:-

Note: Cross out word or words which do not apply

1. Completely cleared to permit 360° vision to surrounding Trigs.
2. Cleared by lones bearing..... from Trig. Mast
3. Trig. Mast & Vanes have been painted white & black respectively.
4. The Trig. was unpiled/not unpiled, dimensions now being:

Description of mark..... should be explicit, e.g. Steel plug, Brass plug, Bolt, G.I. Pipe
 Height of mark..... m ^{above} _{below} rock/concrete..... m ^{above} _{below} G.L.
 Height of Top Vanes to Top Mark..... m. Diameter of Vanes (vertical)..... m.
 Height of Cairn..... m. Diameter of Cairn..... m.

- Length of Mast..... m. (approximate if not unpiled)
5. A..... set in conc/rock has been placed..... m. bearing..... °M from Trig. Mast
 6. A..... set in conc/soil has been placed..... m. bearing..... °M from Trig. Mast
 7. A..... set in conc/soil has been placed..... m. bearing..... °M from Trig. Mast
 8. A..... set in conc/rock has been placed..... m. bearing..... °M from Trig. Mast

9. Connection..... to..... m. bearing..... °M
10. Connection..... to..... m. bearing..... °M
11. Connection..... to..... m. bearing..... °M
12. Connection..... to..... m. bearing..... °M
13. Diff. Ht. is..... m. ^{above} _{below}
14. Diff. Ht. is..... m. ^{above} _{below}
15. Diff. Ht. is..... m. ^{above} _{below}
16. Diff. Ht. is..... m. ^{above} _{below}

Prepared by: **K.J. HADDOX** 25-10-76

Checked: **cd 2/6/76**

Noted on U.T.M. Card

Co: **GOULDSAN**

Map Sheet: **WALBUNDRAE**

Inspected by: **K.J. HADDOX**

Authority: **C. M. A.**

Beacon Diagram

No: **B226-S**

Date: **20-10-76**

Field Book:

Net to Scale

Old mast abt. 2m long found standing in small rock cairn. Appears not to be standing in original position.

No ground mark found.

Date

Record of Station

Checked

CENTRAL MAPPING AUTHORITY
Department of Lands

Trigonometrical Survey of N.S.W.

RECONNAISSANCE and MAINTENANCE REPORT

This Trig. Station has been:

Note: Cross out word or words which do not apply

1. Completely cleared to permit 360° vision to surrounding Trig.
2. Cleared by lines bearing 32° 12' 4" 155° 21' 5" from Trig. Mast
3. Trig-Mast & Vanes have been painted white & black respectively.
4. The Trig. was ~~unplaced~~ ^(PLACED) dimensions now being: _____

Description of mark S/S Pin in conc. (PLACED) should be explicit, e.g. Steel plug, Brass plug, Bolt, G.I. Pipe

Height of mark.....m above rock/concretem above G.L.
below
Height of Top Vanes to Top Mark.....m. Diameter of Vanes (vertical).....m.

Height of Cairn.....m. Diameter of Cairn.....m.
Length of Mast.....m. (approximate if not unplied)

5. A Cu. Nail.....set in conc/rock has been placed 3.823 m. bearing 33.0°M from Trig. Mast
6. A G.I. Pipe.....set in conc/soil has been placed 3.327 m. bearing 157.0°M from Trig. Mast
7. A.....set in conc/soil has been placed.....m. bearing.....°M from Trig. Mast
8. A.....set in conc/rock has been placed.....m. bearing.....°M from Trig. Mast

9. Connection Cu. Nail to G.I. Pipe : 6.230 m. bearing 187.0°M

10. Connection.....to.....m. bearing.....°M

11. Connection.....to.....m. bearing.....°M

12. Connection.....to.....m. bearing.....°M

13. Diff. Hr. Cu. Nail in conc. is 0.112 m. below S/S Pin in conc.

14. Diff. Hr. G.I. Pipe in conc. is 0.092 m. above S/S Pin in conc.

15. Diff. Hr. is.....m. above.....

16. Diff. Hr. is.....m. above.....

Prepared by: *A. Swertson* 15.4.77 Checked: _____

Noted on U.T.M. Card

7-199

STATION RED GS TS 3865
 Co: Goulburn Ph: Jindera
 Map Sheet: Walbundrie No: 8226 S
 Inspected by: A. Swertson Date: 16-12-76
 Authority: CMA Field Book: 1519
 Beacon Diagram: Not to Scale

No beacon

Date 16-12-76
 Record of Station
 S/S Pin placed

Checked

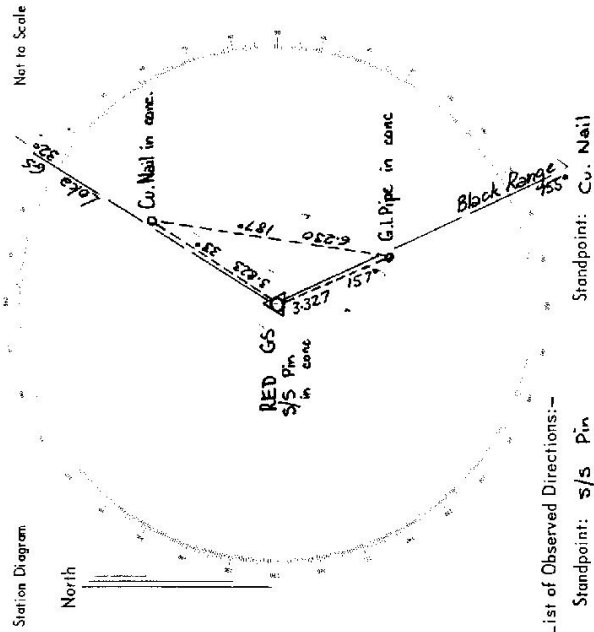
STATION Red GS TS 3865

Owners Name.....
 Current Occupant.....
 Address.....
 Address.....
 Access by K.Hadden OK

Not to Scale

Station Diagram

North



List of Observed Directions:--

Station	S/S Pin	Station	Cu. Nail
Loxa GS	387 57 60	Loxa GS	387 57 60
Cu. Nail	1 03	BLACK RANGE GS	120 50 35
BLACK RANGE GS	120 48 46	G.I. Pipe	153 55
G.I. Pipe	122 14	S/S Pin	181 05

Station	Direction	Station	Direction

CENTRAL MAPPING AUTHORITY
Department of Lands

Trigonometrical Survey of N.S.W.

RECONNAISSANCE and MAINTENANCE REPORT

STATION **RED GS (Pillar) TS 3865**

This Trig. Station has been:

Co: **Goulburn** / Pit: **Jindera**

1. Completely cleared to permit 360° vision to surrounding Trig.

2. Cleared by lances bearing **32** & **124**, **155** & **215** from Trig. Mast

3. Trig. Mast & Vanes have been painted white & black respectively. ✓

4. The Trig. ~~was not inspected~~ ^{was inspected} dimensions now being:

Description of mark: **Steel Obs. Pillar** should be explicit, e.g. Steel plug, Brass plug, Bolt, G.I. Pipe

Height of mark: **1.290** m above ~~below~~ ^{below} ~~concrete~~ ^{G.L.}

Height of Top Vanes to Top Mark: **1.170** m. Diameter of Vanes (vertical): **0.755** m.

Height of Cairn: m. Diameter of Cairn: m.

Length of Mast: m. (approximate if not unplied)

5. A **Co. Nail** set in conc/~~rock~~ ^{found} has been placed **3.822** m bearing **33**°M from Trig. Mast

6. A **G.I. Pipe** set in conc/~~rock~~ ^{found} has been placed **3.323** m bearing **157**°M from Trig. Mast

7. A set in conc/soil has been placed m bearing°M from Trig. Mast

8. A set in conc/rock has been placed m bearing°M from Trig. Mast

9. Connection **Co. Nail** to **G.I. Pipe**: **6.232** m bearing **187**°M

10. Connection: to: m bearing°M

11. Connection: to: m bearing°M

12. Connection: to: m bearing°M

13. Diff. Ht. **Co. Nail** in **conc** is **1.700** m ^{above} ~~below~~ **Pillar Plate**

14. Diff. Ht. **G.I. Pipe** in **conc** is **1.492** m ^{above} ~~below~~ **Pillar Plate**

15. Diff. Ht. is m ^{above} ~~below~~

16. Diff. Ht. is m ^{above} ~~below~~

Prepared by: *[Signature]* 15-9-77 checked: *[Signature]* Noted on U.T.M. Card

Map Sheet: **Wallboundrie**

No: **8226 S**

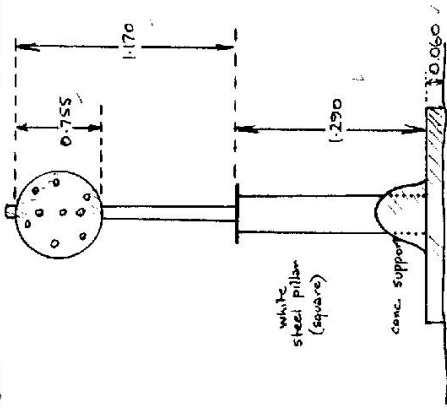
Inspected by: **H. Border**

Date: **12.3.77**

Authority: **CMA**

Field Book: **1519**

Beacon Diagram



Date: **10.3.77**

Record of Station: **Pillar placed. Name Plate placed**

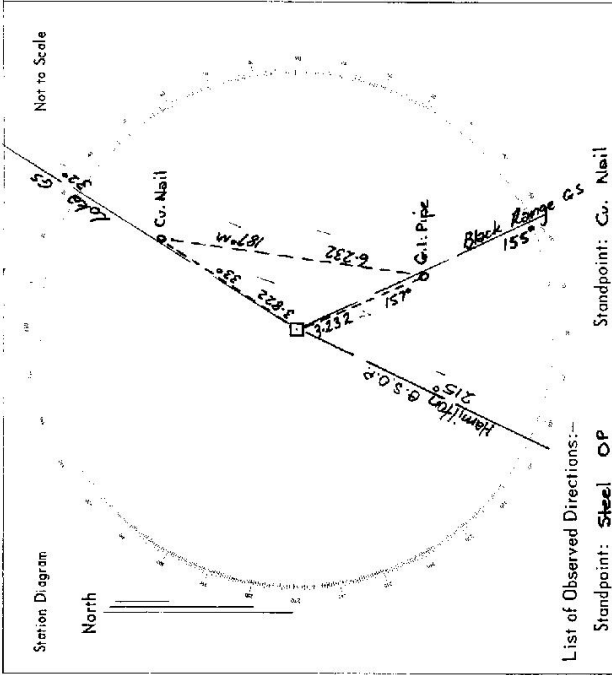
Checked

STATION Red (Pillar) TS 3865

Owners Name..... Current Occupant.....

Address..... Address.....

Access by K. Haddon OK 12-3-1977



List of Observed Directions:-

Standpoint: Steel OP		Standpoint: Co. Nail	
Station	Direction	Station	Direction
LOKA GS	359 S7 60	LOKA GS	359 S7 60
Co. Nail	01 02	BLACK RANGE GS	120 S0 25
BLACK RANGE GS	120 48 45	G.I. Pipe	153 S6
G.I. Pipe	122 20	Steel OP	181 01

LAND INFORMATION CENTRE

GEODETIC SURVEY OF A.S.M.

GEODETIC STATION RECONNAISSANCE and MAINTENANCE REPORT

STATION: **RED (P)** No.: **3865**

MAP SHEET SCALE 1:250 000 **JERILDERIE**

INSPECTED BY: **A. Sivertsen** DATE: **7 Feb '92**

AUTHORITY: **LIC** FIELD BOOK: **2110**

Description:

1. Cleared by lanes bearing..... **Timbered** **3.6.0** from Trig. Mast
Note: Cross out word or words which do not apply
2. Mast & Vanes have been painted white & black respectively.
3. The station/pillar was unpiled/not unpiled/constructed on..... **19**....., dimensions now being:
Description of mark.....should be explicit, e.g., S/Steel Pillar Plate, Steel plug, Brass plug, Bolt, G.I. Pipe
Height of mark.....m, ^{above} rock/concrete; Mark is.....m. ^{above} G.L. _{below}
Height of Top Vanes to Top Mark/Pillar platem. Diameter of Vanes (vertical).....m.
Height of Cairn.....m. Diameter of Cairn.....m. Name Plate found/not found/placed.
Length of Mast.....m. (approximate if not unpiled)
4. A.....set in conc/rock has been placed/found, bearing.....°M from Mast/Plug/Pillar
5. A.....set in conc/rock has been placed/found, bearing.....°M from Mast/Plug/Pillar
6. A.....set in conc/rock has been placed/found, bearing.....°M from Mast/Plug/Pillar
7. A.....set in conc/rock has been placed/found, bearing.....°M from Mast/Plug/Pillar
8. Action required.....

STANDPOINT:

STANDPOINT:

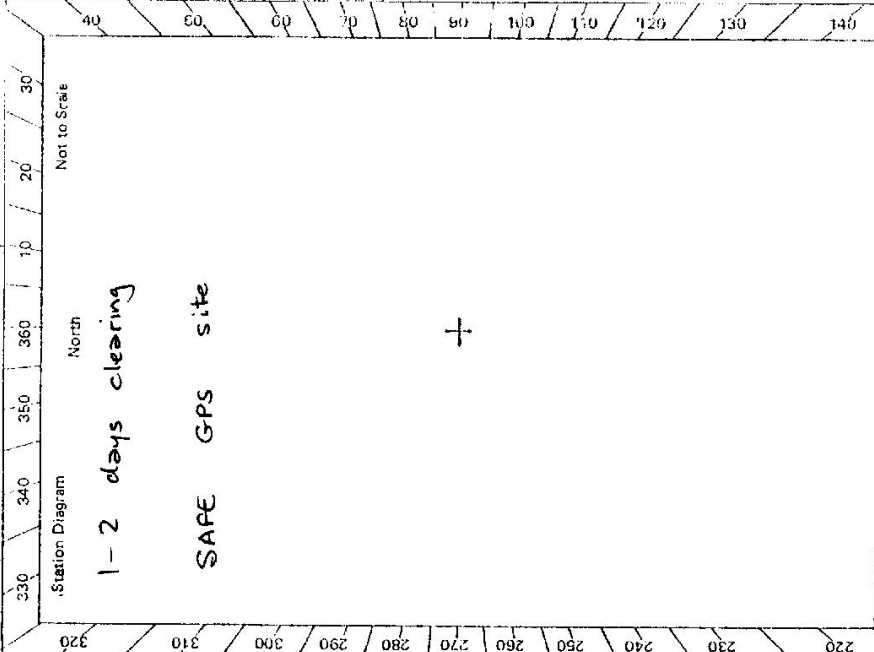
Mark	Direction	Horiz. Distance	Height Difference	Mark	Direction	Horiz. Distance	Height Difference
			above standpt. below				above standpt. below
			above standpt. below				above standpt. below
			above standpt. below				above standpt. below
			above standpt. below				above standpt. below
			above standpt. below				above standpt. below
			above standpt. below				above standpt. below
			above standpt. below				above standpt. below

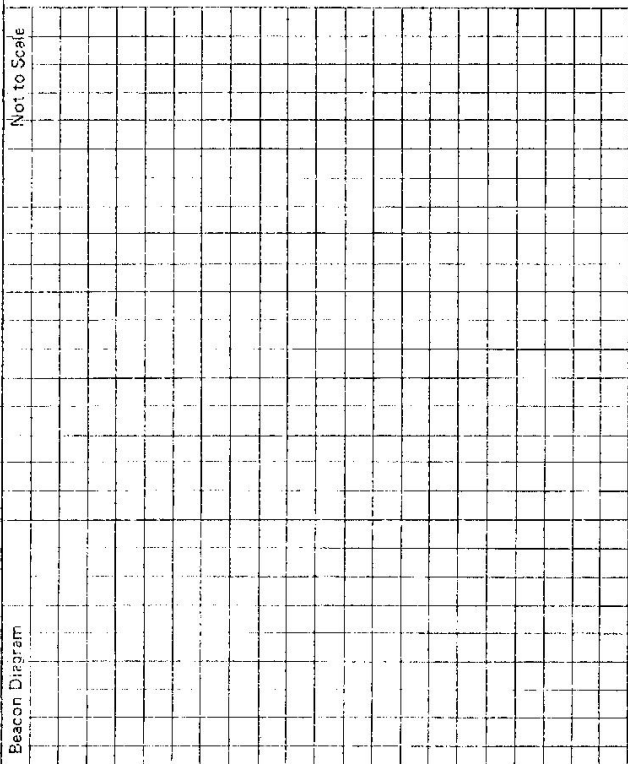
Prepared by:

Checked:

Noted on U.T.M. Card

Checked



STATION	RED (P)	TS	3865
Beacon Diagram 	Owner's Name: B.J FUNK Address: "Red Hill" JINDERA Phone:		
Access owner: M. ROUSE Current Occupant: "Felstead" Address: Delven Drive via ALBURY Phone: (060) 262313 A\nd			
DATE: Feb 1992 ACCESS Access Report of/19..... was found suitable/unsuitable.			
0.0 DEAN/YOUNG (Hwy) Streets ALBURY. Head towards GUNDAGAI 3.7 Stay on Hwy at LAMINGTON lights 7.14 Pass THURGOONA rd on R 10.10 Take road to L "CULCAIRN 40" OLYMPIC WAY 14.98 Pass TYMAN Rd on R 16.29 Turn L DELVEN DRIVE 18.07 Take R fork 18.10 Take R fork to "Felstead" on gate 18.30 Gate 18.61 Turn R up fence (OWNERS HOUSE ahead) 18.75 Turn R up ridge & head to 2 cone tanks 19.0 At fence walk 80 m to RED (P)			
This section to be completed by officer constructing pillar. Original station mark found/not found.		Date Record of Station <div style="border: 1px solid black; padding: 5px; display: inline-block;"> 35 mins from ALBURY </div>	
Description of mark: Original beacon found/not found.			
Description of beacon: Height Top of Vanes to Top Mark.....m. Height of mark.....m. above rock/conc.....m. below G.L. Diameter of Vanes.....m. Height of Cairn.....m.			
Original Beacon has/has not been destroyed by me.			
Original Beacon has/has not been destroyed by me.			