

CENTRAL MAPPING AUTHORITY
Department of Lands

Trigonometrical Survey of N.S.W.

RECONNAISSANCE and MAINTENANCE REPORT

This Trig. Station has been:-

Note: Cross out word or words which do not apply

1. Completely cleared to permit 360° vision to surrounding Trig.
2. Cleared by lanes bearing to Forest for easy from Trig. Mast
3. Trig. Mast & Vanes have been painted white & black respectively.
4. The Trig. was ~~emptied~~/not unpiled, dimensions now being: _____

Description of mark _____ should be explicit, e.g. Steel plug, Brass plug, Bell, G.I. Pipe

Height of mark _____ m ^{above}/_{below} rock/concrete _____ m ^{above}/_{below} G.L.

Height of Top Vanes to Top Mark _____ m. Diameter of Vanes (vertical) 0.61 m.

Height of Cairn 0.33 m. Diameter of Cairn 0.97 m.

Length of Mast 3.21 m. (approximate if not unpiled)

5. A. ~~set in conc/rock has been placed~~ _____ m. bearing _____ °M from Trig. Mast
6. A. ~~set in conc/soil has been placed~~ _____ m. bearing _____ °M from Trig. Mast
7. A. ~~set in conc/soil has been placed~~ _____ m. bearing _____ °M from Trig. Mast
8. A. ~~set in conc/rock has been placed~~ _____ m. bearing _____ °M from Trig. Mast

9. Connection _____ to _____ m. bearing _____ °M

10. Connection _____ to _____ m. bearing _____ °M

11. Connection _____ to _____ m. bearing _____ °M

12. Connection _____ to _____ m. bearing _____ °M

13. Diff. Ht. _____ is _____ m. ^{above}/_{below}

14. Diff. Ht. _____ is _____ m. ^{above}/_{below}

15. Diff. Ht. _____ is _____ m. ^{above}/_{below}

16. Diff. Ht. _____ is _____ m. ^{above}/_{below}

Prepared by: M.L. Macgregor

Checked: _____

Noted on U.T.M. Card

STATION PIGEON TOP TS 3728

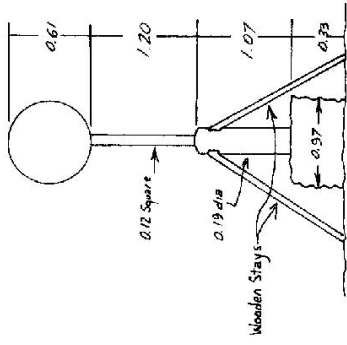
Co: MACQUARIE | Pli: MAERTON | No: 9335

Map Sheet: COWARRAL

Inspected by: M.L. Macgregor | Date: 9-8-77

Authority: _____ | Field Book: 7581

Beacon Diagram: _____ Not to Scale



Date _____

Record of Station

*TRIG FOUND IN GOOD CONDITION ALTHOUGH PAINTING
ALL SURFACES NECESSARY TO BE DONE. CLOSE RIDGES TO
N.W. (MT. BOSS) POSSIBLE CLEARANCE FROM BRUSH GROUND
WILL THROUGH TRENCH TO PREVIOUS SURVEYING*

Checked _____

