

CENTRAL MAPPING AUTHORITY  
Department of Lands

Trigonometrical Survey of N.S.W.

RECONNAISSANCE and MAINTENANCE REPORT

This Trig. Station has been:-

Note: Cross out word or words which do not apply

1. Completely cleared to permit 360° vision to surrounding Trigs.
2. Cleared by ~~lines bearing~~ ..... from ~~Trig-Mast~~
3. Trig. Mast & Vanes have been painted white & black respectively.
4. The Trig. was ~~upheld/not-upheld~~, dimensions now being:
 

Description of mark Drill Hole in steel decking should be explicit, e.g. Steel plug, Brass plug, Bolt, G.L. Pipe

Height of mark ..... m <sup>above</sup> <sub>below</sub> rock/concrete ..... m <sup>above</sup> <sub>below</sub> G.L.

Height of Top Vanes to Top Mark 3.630 m. Diameter of Vanes (vertical) 1.017 m.

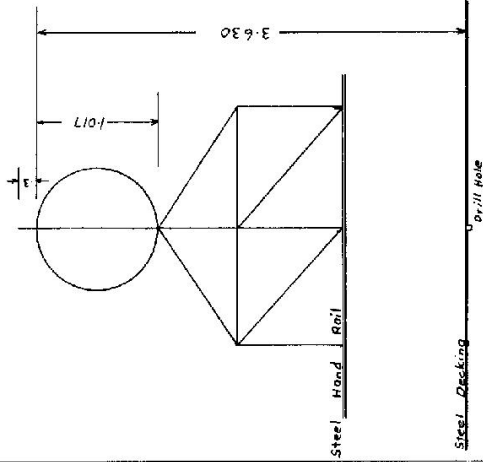
- Height of ~~Ceum~~ ..... m. Diameter of ~~Ceum~~ ..... m.
- Length of ~~Mast~~ ..... m. (approximate if not uplied)
5. A ..... set in conc/rock has been placed ..... m. bearing ..... °M from Trig. Mast
  6. A ..... set in conc/soil has been placed ..... m. bearing ..... °M from Trig. Mast
  7. A ..... set in conc/soil has been placed ..... m. bearing ..... °M from Trig. Mast
  8. A ..... set in conc/rock has been placed ..... m. bearing ..... °M from Trig. Mast
  9. Connection ..... to ..... m. bearing ..... °M
  10. Connection ..... to ..... m. bearing ..... °M
  11. Connection ..... to ..... m. bearing ..... °M
  12. Connection ..... to ..... m. bearing ..... °M
  13. Diff. Ht. .... is ..... m. <sup>above</sup> <sub>below</sub>
  14. Diff. Ht. .... is ..... m. <sup>above</sup> <sub>below</sub>
  15. Diff. Ht. .... is ..... m. <sup>above</sup> <sub>below</sub>
  16. Diff. Ht. .... is ..... m. <sup>above</sup> <sub>below</sub>

Prepared by: D. FREDRIKSEN Checked: Shirley 25-8-76 Noted on U.T.M. Card

STATION **MOREE T.S. 3196**

Ce: COURLIE | Ph: MOREE  
 Map Sheet: MOREE 1:250,000 | No:  
 Inspected by: D. FREDRIKSEN | Date: 3-7-76  
 Authority: C.N.A. 72/66 | Field Book: 1471

Beacon Diagram Not to Scale



Date \_\_\_\_\_ Record of Station \_\_\_\_\_

Checked





GS

<p>STATION <b>MORRE E.C. QUARRIES 3196</b> TS</p> <p>Owner's Name: <b>MORRE LEANES SHINE Council</b> Current Occupant: .....</p> <p>Address: <b>2410 STREET</b> Address: .....</p> <p>Phone: <b>067 529 5374</b> Phone: .....</p> <p>Phone: <b>(AM) 018 (57230)</b> Phone: .....</p> <p>ACCESS</p> <p>Access Report of 18/11/18 was found suitable/unsuitable.  <b>PLEASE NOTE: A KEY WILL BE NEEDED TO LOCKED GATE FOR ACCESS TO SHINE CASE TO TOP OF WATER TANK KEY OBTAINABLE FROM CTS OR MORRE SHINE COUNCIL, ALSO LEANES OFFICE MORRE (067 5295374)</b></p> <p><b>FEATURES</b></p> <p>001 <b>EST OFFICE MORRE HEADS JUNCTION TOWARDS MARRIAGEE</b></p> <p>000 <b>TURN LEFT ONTO NELLIE HILLWAY</b></p> <p>062 <b>TURN RIGHT INTO JONES AVENUE</b></p> <p>178 <b>AT WATER TANK CORNER OBERON STREET &amp; JONES AVENUE.</b></p> <p>218</p>	<p>Beacon Diagram</p> <p style="text-align: right;">Not to Scale</p> <p>This section to be completed by officer constructing pillar.</p> <p>Original station mark found/<del>not found</del>.</p> <p>Description of mark: <b>DRILL HOLE IN STEEL PLATFORM.</b></p> <p>Original beacon found/<del>not found</del>.</p> <p>Description of beacon: <b>QUARRIES WITH VANES.</b></p> <p>Height Top of Vanes to Top Mark .....m.</p> <p>Height of mark .....m. above rock/conc .....m. below G.L.</p> <p>Diameter of Vanes .....m. Height of Cairn .....m.</p> <p>Original Beacon has/<del>has not</del> been damaged by me. <b>FADED WITH VANES.</b></p>
<p>Date: .....</p> <p>Record of Station</p>	