

CENTRAL MAPPING AUTHORITY  
Department of Lands

Trigonometrical Survey of N.S.W.

RECONNAISSANCE and MAINTENANCE REPORT

STATION TS 2404 HANGING ROCK  
Co: MITCHELL Ph: BUCKLE AND LEITCH

This Trig. Station has been:-

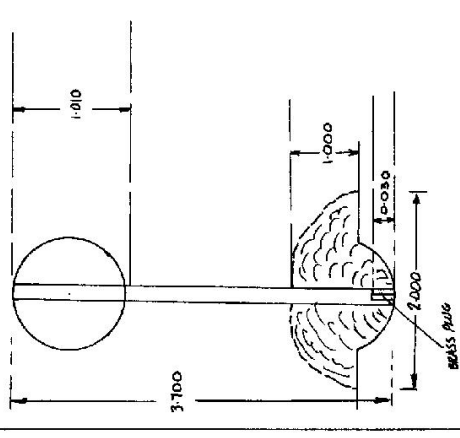
Note: Cross out word or words which do not apply

1. Completely cleared to permit 360° vision to surrounding trigs.
2. ~~Cleared by James-bearing~~ from Trig-Mast
3. Trig. Mast & Vanes have been painted white & black respectively.
4. The Trig. was unpiled/~~not unpiled~~, dimensions now being: Original Station Mark found ~~not found~~  
Description of mark. ~~BRASS PLUG IN LIVE ROCK~~ should be explicit, e.g. Steel plug, Brass plug, Balr, G.I. Pipe  
Height of mark..... 0.030 ..... m <sup>above</sup> ~~below~~ <sup>rock/concrete well</sup> G.L.  
Height of Top Vanes to Top Mark..... 3.670 m. Diameter of Vanes (vertical) 1.010 m.  
Height of Cairn..... 1.000 m. Diameter of Cairn 2.000 m.  
Length of Mast..... 3.700 m. (approximate if not unpiled)

5. A ~~BRASS TRIG-MAST~~ set in ~~conc/rock~~ has been placed ~~2.923~~ 2.77 m. bearing ~~2.77~~ 0°M from Trig. Mast
6. A ~~BRASS TRIG-MAST~~ set in ~~conc/rock~~ has been placed ~~3.045~~ 3.2 m. bearing ~~3.2~~ 0°M from Trig. Mast
7. A ..... set in conc./soil has been placed ..... m. bearing ..... 0°M from Trig. Mast
8. A ..... set in conc./rock has been placed ..... m. bearing ..... 0°M from Trig. Mast
9. Connection B.T.2 to B.T.1 : 4.139 m. bearing 247°M
10. Connection ..... to ..... m. bearing ..... 0°M
11. Connection ..... to ..... m. bearing ..... 0°M
12. Connection ..... to ..... m. bearing ..... 0°M
13. Diff. Ht. TRIG. PLUG is 0.340 m. <sup>below</sup> B.T.1
14. Diff. Ht. TRIG. PLUG is 0.180 m. <sup>below</sup> B.T.2
15. Diff. Ht. B.T.2 is 0.200 m. <sup>below</sup> B.T.1
16. Diff. Ht. ..... is ..... m. <sup>below</sup> .....  
Prepared by: *[Signature]* Checked: *[Signature]*

Noted on U.T.M. Card

Map Sheet: No:  
Inspected by: PE STONE Date: 20/6/77  
Authority LANDS DEPT N.S.W. Field Book: PDP 823  
Beacon Diagram Not to Scale



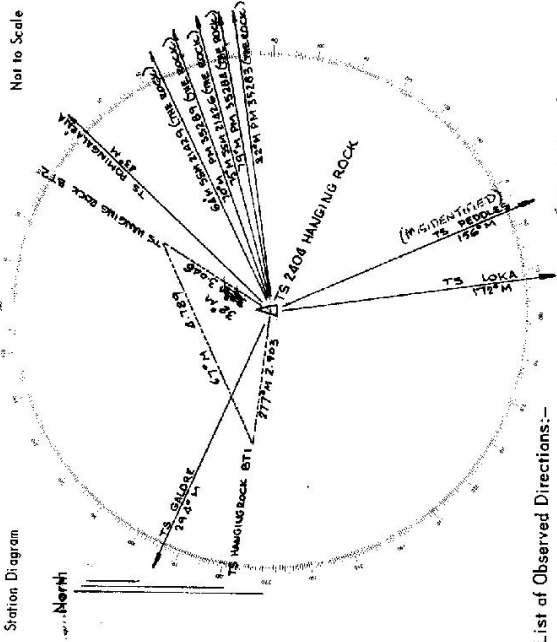
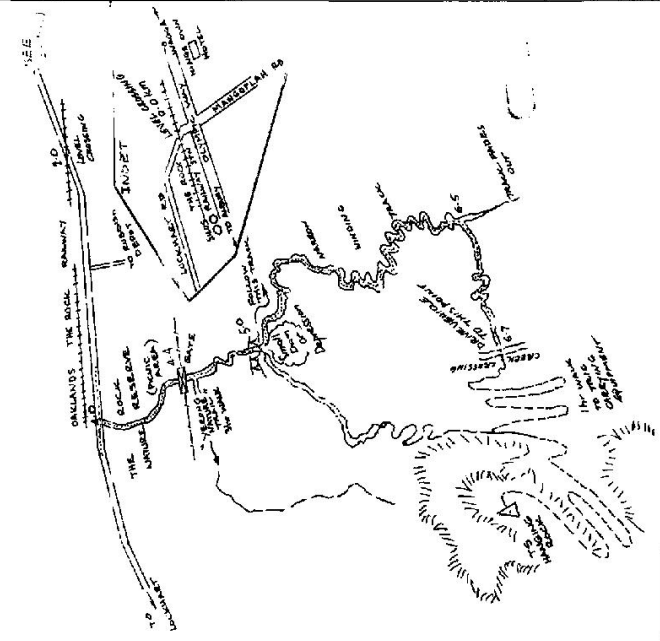
Date	Record of Station

Checked

STATION TS 240. HANGING ROCK 2404

Owners Name: NATIONAL PARKS AND WILDLIFE  
 Current Occupant: .....  
 Address: .....  
 Address: .....

Access 20/6/1977



List of Observed Directions:-

Standpoint: TS HANGING ROCK (PLUG)		Standpoint: TS HANGING ROCK (PLUG)	
Station	Direction	Station	Direction
TS HANGING ROCK 871	0° 00' 00"	TS HANGING ROCK 871	360° 00' 00"
TS HANGING ROCK 872	34° 00' 00"	TS HANGING ROCK 872	326° 00' 00"
TS HANGING ROCK 873	36° 00' 00"	TS HANGING ROCK 873	324° 00' 00"
TS HANGING ROCK 874	38° 00' 00"	TS HANGING ROCK 874	322° 00' 00"
TS HANGING ROCK 875	40° 00' 00"	TS HANGING ROCK 875	320° 00' 00"
TS HANGING ROCK 876	42° 00' 00"	TS HANGING ROCK 876	318° 00' 00"
TS HANGING ROCK 877	44° 00' 00"	TS HANGING ROCK 877	316° 00' 00"
TS HANGING ROCK 878	46° 00' 00"	TS HANGING ROCK 878	314° 00' 00"
TS HANGING ROCK 879	48° 00' 00"	TS HANGING ROCK 879	312° 00' 00"
TS HANGING ROCK 880	50° 00' 00"	TS HANGING ROCK 880	310° 00' 00"
TS HANGING ROCK 881	52° 00' 00"	TS HANGING ROCK 881	308° 00' 00"
TS HANGING ROCK 882	54° 00' 00"	TS HANGING ROCK 882	306° 00' 00"
TS HANGING ROCK 883	56° 00' 00"	TS HANGING ROCK 883	304° 00' 00"
TS HANGING ROCK 884	58° 00' 00"	TS HANGING ROCK 884	302° 00' 00"
TS HANGING ROCK 885	60° 00' 00"	TS HANGING ROCK 885	300° 00' 00"
TS HANGING ROCK 886	62° 00' 00"	TS HANGING ROCK 886	298° 00' 00"
TS HANGING ROCK 887	64° 00' 00"	TS HANGING ROCK 887	296° 00' 00"
TS HANGING ROCK 888	66° 00' 00"	TS HANGING ROCK 888	294° 00' 00"
TS HANGING ROCK 889	68° 00' 00"	TS HANGING ROCK 889	292° 00' 00"
TS HANGING ROCK 890	70° 00' 00"	TS HANGING ROCK 890	290° 00' 00"
TS GAIKORE 2404	92° 47' 36"	TS GAIKORE 2404	267° 12' 24"
TS HANGING ROCK 871	141° 07' 36"	TS HANGING ROCK 871	198° 52' 24"
TS HANGING ROCK 872	141° 07' 36"	TS HANGING ROCK 872	198° 52' 24"
TS HANGING ROCK 873	141° 07' 36"	TS HANGING ROCK 873	198° 52' 24"
TS HANGING ROCK 874	141° 07' 36"	TS HANGING ROCK 874	198° 52' 24"
TS HANGING ROCK 875	141° 07' 36"	TS HANGING ROCK 875	198° 52' 24"
TS HANGING ROCK 876	141° 07' 36"	TS HANGING ROCK 876	198° 52' 24"
TS HANGING ROCK 877	141° 07' 36"	TS HANGING ROCK 877	198° 52' 24"
TS HANGING ROCK 878	141° 07' 36"	TS HANGING ROCK 878	198° 52' 24"
TS HANGING ROCK 879	141° 07' 36"	TS HANGING ROCK 879	198° 52' 24"
TS HANGING ROCK 880	141° 07' 36"	TS HANGING ROCK 880	198° 52' 24"
TS HANGING ROCK 881	141° 07' 36"	TS HANGING ROCK 881	198° 52' 24"
TS HANGING ROCK 882	141° 07' 36"	TS HANGING ROCK 882	198° 52' 24"
TS HANGING ROCK 883	141° 07' 36"	TS HANGING ROCK 883	198° 52' 24"
TS HANGING ROCK 884	141° 07' 36"	TS HANGING ROCK 884	198° 52' 24"
TS HANGING ROCK 885	141° 07' 36"	TS HANGING ROCK 885	198° 52' 24"
TS HANGING ROCK 886	141° 07' 36"	TS HANGING ROCK 886	198° 52' 24"
TS HANGING ROCK 887	141° 07' 36"	TS HANGING ROCK 887	198° 52' 24"
TS HANGING ROCK 888	141° 07' 36"	TS HANGING ROCK 888	198° 52' 24"
TS HANGING ROCK 889	141° 07' 36"	TS HANGING ROCK 889	198° 52' 24"
TS HANGING ROCK 890	141° 07' 36"	TS HANGING ROCK 890	198° 52' 24"
TS GAIKORE 2404	141° 07' 36"	TS GAIKORE 2404	198° 52' 24"
TS HANGING ROCK 871	141° 07' 36"	TS HANGING ROCK 871	198° 52' 24"
TS HANGING ROCK 872	141° 07' 36"	TS HANGING ROCK 872	198° 52' 24"
TS HANGING ROCK 873	141° 07' 36"	TS HANGING ROCK 873	198° 52' 24"
TS HANGING ROCK 874	141° 07' 36"	TS HANGING ROCK 874	198° 52' 24"
TS HANGING ROCK 875	141° 07' 36"	TS HANGING ROCK 875	198° 52' 24"
TS HANGING ROCK 876	141° 07' 36"	TS HANGING ROCK 876	198° 52' 24"
TS HANGING ROCK 877	141° 07' 36"	TS HANGING ROCK 877	198° 52' 24"
TS HANGING ROCK 878	141° 07' 36"	TS HANGING ROCK 878	198° 52' 24"
TS HANGING ROCK 879	141° 07' 36"	TS HANGING ROCK 879	198° 52' 24"
TS HANGING ROCK 880	141° 07' 36"	TS HANGING ROCK 880	198° 52' 24"
TS HANGING ROCK 881	141° 07' 36"	TS HANGING ROCK 881	198° 52' 24"
TS HANGING ROCK 882	141° 07' 36"	TS HANGING ROCK 882	198° 52' 24"
TS HANGING ROCK 883	141° 07' 36"	TS HANGING ROCK 883	198° 52' 24"
TS HANGING ROCK 884	141° 07' 36"	TS HANGING ROCK 884	198° 52' 24"
TS HANGING ROCK 885	141° 07' 36"	TS HANGING ROCK 885	198° 52' 24"
TS HANGING ROCK 886	141° 07' 36"	TS HANGING ROCK 886	198° 52' 24"
TS HANGING ROCK 887	141° 07' 36"	TS HANGING ROCK 887	198° 52' 24"
TS HANGING ROCK 888	141° 07' 36"	TS HANGING ROCK 888	198° 52' 24"
TS HANGING ROCK 889	141° 07' 36"	TS HANGING ROCK 889	198° 52' 24"
TS HANGING ROCK 890	141° 07' 36"	TS HANGING ROCK 890	198° 52' 24"
TS GAIKORE 2404	141° 07' 36"	TS GAIKORE 2404	198° 52' 24"

Station: RT 2

Station	Direction	Station	Direction
HANGING ROCK 2404	57° 46' 24"		
871	92° 47' 36"		
GAIKORE 2404	141° 07' 36"		