

CENTRAL MAPPING AUTHORITY
Department of Lands

Trigonometrical Survey of N.S.W.

RECONNAISSANCE and MAINTENANCE REPORT

This Trig. Station has been:-

Note: Cross out word or words which do not apply

1. Completely cleared to permit 360° vision to surrounding Trigs.
2. Cleared by lanes bearing 360° to 150° / 100° / 135° / 157° from Trig. Mast
3. Trig. Mast & Vanes have been painted white & black respectively.
4. The Trig. was ~~emptied~~/not unpiled, dimensions now being: _____

Description of mark _____ should be explicit, e.g. Steel plug, Brass plug, Bolt, G.I. Pipe
 Height of mark _____ m above rock/concrete _____ m below G.L.
 Height of Top Vanes to Top Mark _____ m. Diameter of Vanes (vertical) 0.600 m.
 Height of Cairn 1.10 m. Diameter of Cairn 2.00 m. ^{1.10 Top}
 Length of Mast 3.64 m. (approximate if not unpiled)

5. A _____ set in conc/rock has been placed _____ m. bearing _____ °M from Trig. Mast
6. A _____ set in conc/soil has been placed _____ m. bearing _____ °M from Trig. Mast
7. A _____ set in conc/soil has been placed _____ m. bearing _____ °M from Trig. Mast
8. A _____ set in conc/rock has been placed _____ m. bearing _____ °M from Trig. Mast
9. Connection _____ to _____ m. bearing _____ °M
10. Connection _____ to _____ m. bearing _____ °M
11. Connection _____ to _____ m. bearing _____ °M
12. Connection _____ to _____ m. bearing _____ °M
13. Diff. Ht. _____ is _____ m. above below
14. Diff. Ht. _____ is _____ m. above below
15. Diff. Ht. _____ is _____ m. above below
16. Diff. Ht. _____ is _____ m. above below

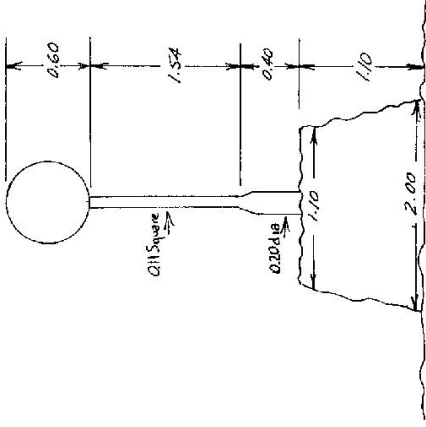
Prepared by: *M.L. Morrison*

Checked:

Noted on U.T.M. Card

STATION *FERRICK TS-2042*
 Co: *HAWES* | Ph: *RESURVEY*
 Map Sheet: *COWARRAL* | No: *9335*
 Inspected by: *M.L. Morrison* | Date: *15.7.77*
 Authority: _____ | Field Book: *1580*

Beacon Diagram



Date

Record of Station

*TRIG. IN GOOD CONDITION. NEEDS PAINTING
 1/2 Days; CLEARING ARE FULL WIND 360° & 153°.*

Checked

