

CENTRAL MAPPING AUTHORITY
Department of Lands

Trigonometrical Survey of N.S.W.

RECONNAISSANCE and MAINTENANCE REPORT

STATION **COWRA T.S. 1681**

Co: **SELWYN** Ph: **MARQUE**

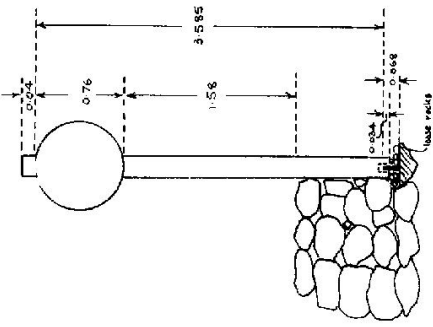
Map Sheet: **YARRANGOBILLY 5** No: **8526**

Inspected by: **K. WOODHEAD** Date: **23-3-74**

Authority: **C.M.A.** Field Book: **1357**

Beacon Diagram

Not to Scale



This Trig. Station has been:-

Note: Cross out word or words which do not apply

1. **Completely cleared to permit 360° vision to surrounding Trig.**
2. Cleared by lanes bearing **(73° Trig. 5705.5499) (84° 8548)** from Trig. Mast
3. Trig. Mast & Vanes have been painted white & black respectively. ✓
4. The Trig. was unpiled/not-unpiled, dimensions now being:
Description of mark **BRASS PLUG** should be explicit, e.g. Steel plug, Brass plug, Bolt, G.I. Pipe
Height of mark **0.068** m ^{above}/_{below} **back/concrete** m ^{above}/_{below} **G.L.**
Height of Top Vanes to Top Mark **3.615** m. Diameter of Vanes (vertical) **0.760** m.
Height of Cairn **1.3** m. Diameter of Cairn **2.1** m.
Length of Mast **3.600** m. (approximate if not unpiled)
5. **COPPER NAIL** set in conc/rock has been placed **3.095** m. bearing **19 1/2** °M from Trig. Mast
6. **A.I. PIPE** set in conc/soil has been placed **3.610** m. bearing **93 1/2** °M from Trig. Mast
7. **A** set in conc/soil has been placed **0** m. bearing **0** °M from Trig. Mast
8. **A** set in conc/rock has been placed **0** m. bearing **0** °M from Trig. Mast
9. Connections **4.046** to **4.106** m. bearing **140 1/2** °M
10. Connection **0** to **0** m. bearing **0** °M
11. Connection **0** to **0** m. bearing **0** °M
12. Connection **0** to **0** m. bearing **0** °M
13. Diff. Ht. **TRIG. PLUG (TOP)** is **0.065** m. ^{above}/_{below} **COPPER NAIL IN CONK. FD.**
14. Diff. Ht. **TRIG. PLUG (TOP)** is **0.105** m. ^{above}/_{below} **G.I. PIPE IN CONK. FD.**
15. Diff. Ht. **COPPER NAIL (TOP)** is **0.060** m. ^{above}/_{below} **G.I. PIPE IN CONK. FD.**
16. Diff. Ht. **0** is **0** m. ^{above}/_{below} **0**

Date	Record of Station

Checked

Noted on U.T.M. Card

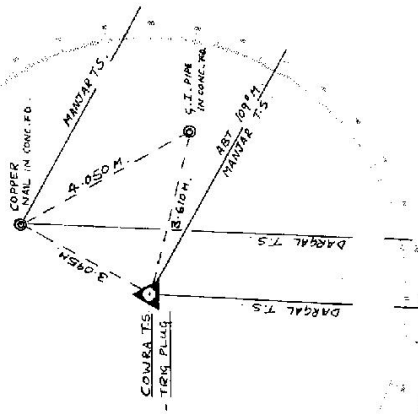
Prepared by: **L. Woodhead** Checked:

[Handwritten signature]

STATION COMRA T.S. 1681

Not to Scale

Station Diagram
GRID
North



List of Observed Directions:-

Standpoint: TRIG PLUG IN CONC. FB. Standpoint: COPPER NAIL IN CONC. FB.

Station	Direction	Station	Direction
MANGAR T.S.	359° 59' 60"	MANGAR T.S.	357° 59' 60"
DARGAL T.S.	63° 49' 50"	G.I. PIPE IN CONC. FB.	31° 41'
COPPER NAIL IN CONC. FB.	270° 34'	DARGAL T.S.	63° 47' 55"
G.I. PIPE IN CONC. FB.	344° 29'	TRIG PLUG IN CONC. FB.	90° 33'

Station	Direction	Station	Direction

Owners Name.....

Current Occupant.....

Address.....

Address.....

Access 23-3-1914

From Tumbaremba P.O. at 0.0 miles take Cooma, Kiandra road.

MILEAGE

FEATURE

11.5 Take Cooma, Kiandra road on left. Sign: Se Cooma .40 Kiandra.

20.15 At Overhead power transmission lines take gravel road on right.

33.45 Through wire gate on right at fence corner. Follow trail up northern side of fence to Trig at 34.05 miles.

Station is of fairly easy access & in dry weather could be driven to by sedan-type vehicle.

CENTRAL MAPPING AUTHORITY
Department of Lands

Trigonometrical Survey of N.S.W.

RECONNAISSANCE and MAINTENANCE REPORT

This Trig. Station has been:-

Note: Cross out word or words which do not apply

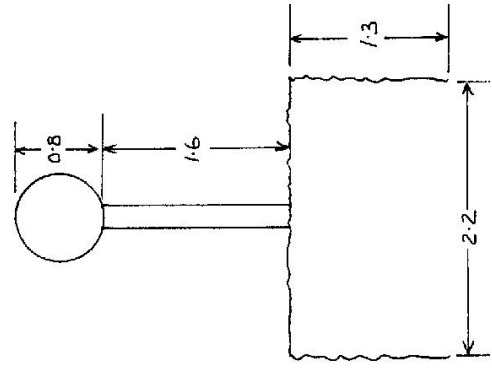
1. Completely cleared to permit 360° vision to surrounding Trigs.
2. Cleared by lances bearing 92° to 187° 245° to 8° from Trig. Mast
3. Trig. Mast & Vanes have been painted white & black respectively.
4. The Trig. was ~~unpiled~~/not unpiled, dimensions now being: Station Mark ~~located~~ ~~fixed~~ ~~found~~

Description of mark should be explicit, e.g. Steel plug, Brass plug, Bolt, G.I. Pipe
 Height of mark m above rock/concrete m above G.L.
 Height of Top Vanes to Top Mark m. Diameter of Vanes (vertical) 0.8 m.
 Height of Cairn 1.3 m. Diameter of Cairn 2.2 m.
 Length of Mast 3.7 m. (approximate if not unpiled)

5. A. set in conc/rock has been placed m. bearing °M from Trig. Mast
6. A. set in conc/soil has been placed m. bearing °M from Trig. Mast
7. A. set in conc/soil has been placed ~~10~~ m. bearing °M from Trig. Mast
8. A. set in conc/rock has been placed ~~10~~ m. bearing °M from Trig. Mast
9. Connection to m. bearing °M Note: Site suitable for pillar.
10. Connection ~~Not~~ to m. bearing °M
11. Connection to m. bearing °M
12. Connection to m. bearing °M
13. Diff. Ht. is m. above below
14. Diff. Ht. is m. above below
15. Diff. Ht. is m. above below
16. Diff. Ht. is m. above below

Prepared by: *N. B. G. 4-2-77* Checked: *M. Robins 27/7/77* Noted on U.T.M. Card

STATION COWRA TS-1681
 Co: *Saleyn* Ph: *Maragle*
 Map Sheet: *Yarrangobilly* No: *8526-27-S*
 Inspected by: *N. B. G.* Date: *20th January 1977*
 Authority: *Central Mapping* Field Book: *Yarrangobilly S*
 Beacon Diagram Not to Scale



Date Record of Station

Checked

STATION **OWRA TS. 1681**

Owners Name.....

Address.....

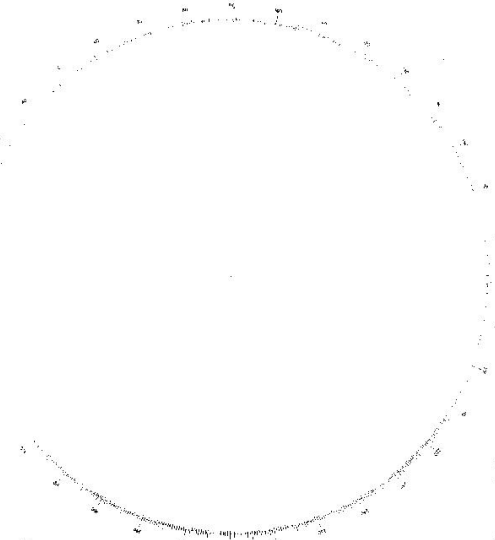
Current Occupant.....

Address.....

Station Diagram

North

Not to Scale



List of Observed Directions:--

Standpoint:

Station	Direction	Station	Direction

20-1-1977
 Access See Toomra B526-III-S 1:25,000.
 Scale 1:25000

