

CENTRAL MAPPING AUTHORITY

Department of Lands

Trigonometrical Survey of N.S.W.

RECONNAISSANCE and MAINTENANCE REPORT

STATION **CARCALGONG S.S. 1391**

This Trig. Station has been:-

Note: Cross out word or words which do not apply

1. Completely cleared to permit 360° vision to surrounding Trigs. ✓
2. Cleared by lanes bearing..... from Trig. Mast
3. Trig. Mast & Vanes have been painted white & black respectively.
4. The Trig. was unpiled/not unpiled, dimensions now being: Original Station Mark found/not found

should be explicit, e.g. steel plug, Brass plug, Bolt, G.I. Pipe

Description of mark..... m above  
 Height of mark..... m below  
 Height of Top Vanes to Top Mark..... m.  
 Height of Cairn..... m. Diameter of Cairn..... m.  
 Length of Mast..... m. (approximate if not unpiled)  
 Diameter of Vanes (vertical)..... m.

5. A..... set in conc/rock has been placed..... m. bearing..... °M from Trig. Mast
6. A..... set in conc/soil has been placed..... m. bearing..... °M from Trig. Mast
7. A..... set in conc/soil has been placed..... m. bearing..... °M from Trig. Mast
8. A..... set in conc/rock has been placed..... m. bearing..... °M from Trig. Mast

9. Connection..... to..... m. bearing..... °M
10. Connection..... to..... m. bearing..... °M
11. Connection..... to..... m. bearing..... °M
12. Connection..... to..... m. bearing..... °M

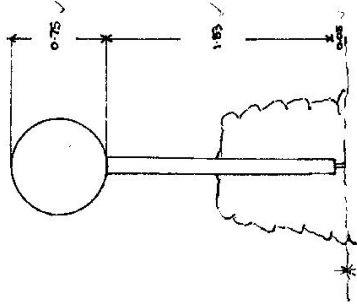
13. Diff. Ht. .... is..... m. above  
 below
14. Diff. Ht. .... is..... m. above  
 below
15. Diff. Ht. .... is..... m. above  
 below
16. Diff. Ht. .... is..... m. above  
 below

Prepared by: G. Jones Checked: \_\_\_\_\_

Noted on U.T.M. Card

Map Sheet: Mudgee  
 Inspected by: G. Jones & R. Whitfield No: 8822  
 Authority: C.M.A. Date: 6-7-77  
 Field Book: 1574

Beacon Diagram



Date

Record of Station



CENTRAL MAPPING AUTHORITY

GEODETIC SURVEY OF N.S.W.

GEODETIC STATION RECONNAISSANCE and MAINTENANCE REPORT

Description:

1. Cleared by lanes bearing..... 3.60 ..... from Trig. Mast
2. Mast & Vanes have been painted white & black respectively. ✓
3. The station/~~pillar~~ was unplied/~~not unplied~~/~~constructed~~ on..... 15-3-1978..... dimensions now being:  
Description of mark. BRASS PLAG should be explicit, e.g., S/Steel Pillar Plate, Steel plug, Brass plug, Bolt, G.I. Pipe  
Height of mark. 0.60 m. <sup>above</sup> rock/~~concrete~~; Mark is..... m. <sup>above</sup> G.L.  
Height of Top Vanes to Top Mark/~~Pillar~~ plate 3.040 m. Diameter of Vanes (vertical) 1.0 m.  
Height of Cairn..... 2.00 m. Diameter of Cairn. 2.00 m. Name Plate found/not found/placed.  
Length of Mast..... 3.10 m. (approximate if not unplied)
4. A. COPPER NAIL..... set in conc/~~rock~~ has been placed/~~found~~, bearing..... 233°M from ~~Mast~~/Plug/~~Pillar~~
5. A. G.I. PIPE..... set in conc/~~rock~~ has been placed/~~found~~, bearing..... 233°M from ~~Mast~~/Plug/~~Pillar~~
6. A..... set in conc/~~rock~~ has been placed/~~found~~, bearing.....°M from Mast/Plug/~~Pillar~~
7. A..... set in conc/~~rock~~ has been placed/~~found~~, bearing.....°M from Mast/Plug/~~Pillar~~
8. Action required:.....

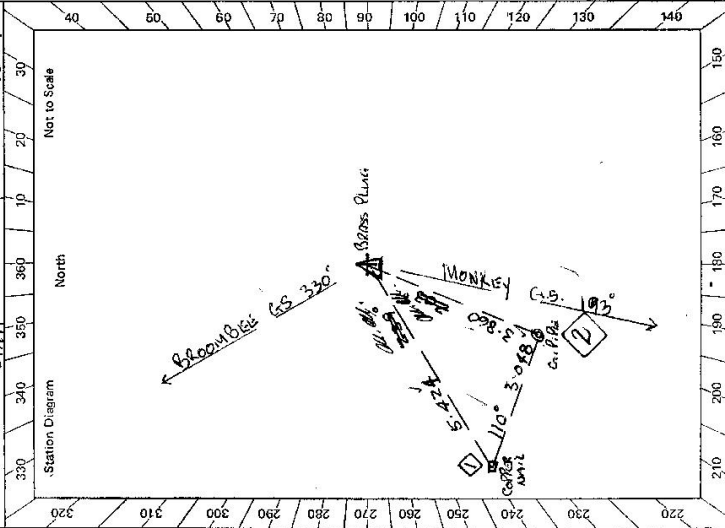
Note: Cross out word or words which do not apply

STATION: CAROL GONGS No.: 1397

MAP SHEET SCALE 1:250 000 DUBBO

INSPECTED BY: N.M.G. MURRAY DATE: 15-3-78

AUTHORITY: CMA FIELD BOOK: 1657



Mark	Direction	Horiz. Distance	Height Difference	Mark	Direction	Horiz. Distance	Height Difference
MONKEY PILLAR	359° 59' 60"	3.59	above standpt.	MONKEY PILLAR	359° 59' 60"	3.59	above standpt.
G.I. PIPE	21° 50' 30"	3.860	below standpt.	BROOMBEES	65° 32'	3.76	below standpt.
COPPER NAIL	54° 58' 06"	5.423	below standpt.	TRIG. PLUG	234° 59' 55"	5.426	above standpt.
BROOMBEES G.S.	136° 23' 30"	3.048	below standpt.	G.I. P. PL.	278° 55' 55"	3.048	below standpt.
			below standpt.				below standpt.
			below standpt.				below standpt.
			below standpt.				below standpt.

STANDPOINT: BRASS TRIG PLUG      STANDPOINT: COPPER NAIL

Prepared by: N.M.G. Murray      Checked: N.M.G. Murray      Noted on U.T.M. Card

SI 2753--2 D. West, Government Printer

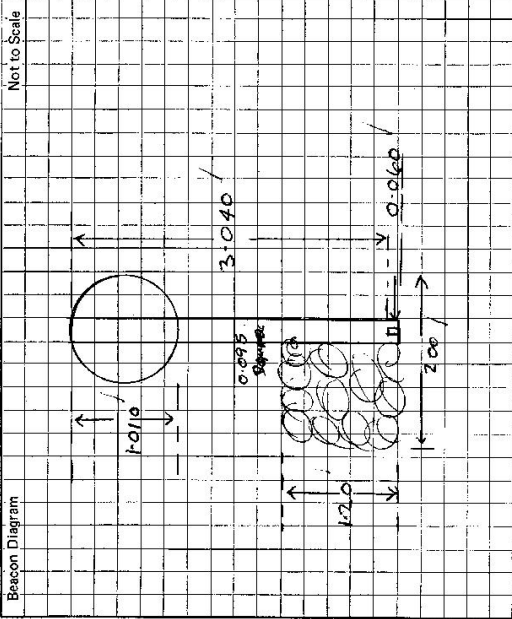
STATION CARCALTON G.S. 1397

Owner's Name: MAX PRICE  
 Address: .....  
 Phone: .....

Current Occupant: .....  
 Address: .....  
 Phone: .....

ACCESS

Access Report of 17.11.1977 was found suitable/unsuitable.



This section to be completed by officer constructing pillar.

Original station mark found/not found.

Description of mark: BRASS PLUG IN ROCK

Original beacon found/not found.

Description of beacon: CAIRN MAST & VANES

Height Top of Vanes to Top Mark: 2.510 m.

Height of mark: 0.200 m. above rock/stone ..... m. below G.L.

Diameter of Vanes 0.200 m. Height of Cairn 1.000 m.

Original Beacon has/has not been destroyed by me.

Date	Record of Station

CENTRAL MAPPING AUTHORITY

GEODETIC SURVEY OF N.S.W.

GEODETIC STATION RECONNAISSANCE and MAINTENANCE REPORT

STATION: CARCALONG G.S. No.: 1397

Description:

1. Cleared by lanes bearing..... 34.0°

2. Mast & Vanes have been painted white & black respectively.

3. The station/pillar was unpiled/not-unpiled/constructed on..... 14.2-19

Description of mark/Brass Trig Plug... should be explicit, e.g., S/Steel Pillar Plate, Steel plug, Brass plug, Bolt, G.I. Pipe

Height of mark... m. above rock/concrete; Mark is... G.L.

Height of Top Vanes to Top Mark/Pillar plate... 3.050 m. Diameter of Vanes (vertical)... 0.10 m.

Height of Cairn... m. Diameter of Cairn... m. Name Plate found/not-found/placed.

Length of Mast... 3.105 m. (approximate if not unpiled)

4. A... G.I. Pipe... set in conc/rock has been placed/found, bearing... 233° M from Mast/Plug/Pillar

5. A... Copper Spike... set in conc/rock has been placed/found, bearing... 246° M from Mast/Plug/Pillar

6. A... set in conc/rock has been placed/found, bearing... M from Mast/Plug/Pillar

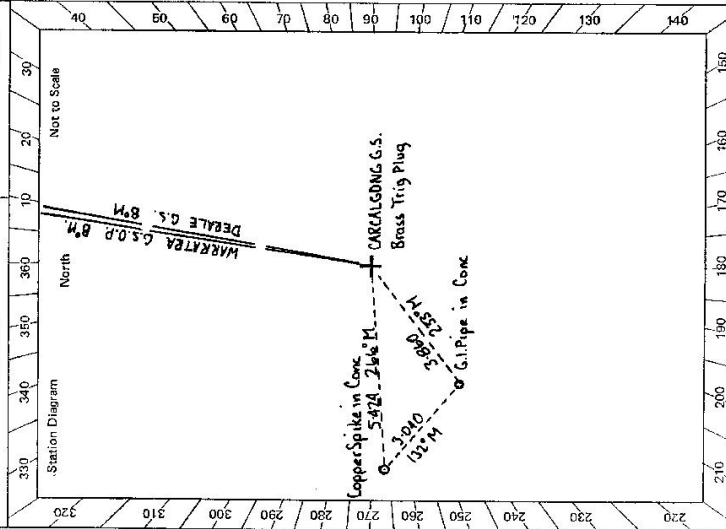
7. A... set in conc/rock has been placed/found, bearing... M from Mast/Plug/Pillar

8. Action required:

MAP SHEET SCALE 1:250 000 DUBBO

INSPECTED BY: N. KRAHE DATE: 14.2.19

AUTHORITY: C. M. A. FIELD BOOK: 1705



STANDPOINT: BRASS TRIG PLUG				STANDPOINT: COPPER SPIKE			
Mark	Direction	Horiz. Distance	Height Difference	Mark	Direction	Horiz. Distance	Height Difference
WARRATRA G.S.O.P.	359 59 60		above standpt.	WARRATRA G.S.O.P.	359 59 60		above standpt.
DERALE G.S.	0 18 34		above standpt.	DERALE G.S.	0 18 58		above standpt.
G.I. Pipe in Conc.	223 30	3.860	above standpt.	Brass Trig Plug in Conc.	76 37	5.475	above standpt.
Copper Spike in Conc.	256 38	5.473	above standpt.	G.I. Pipe in Conc.	170 31	3.040	above standpt.
			below standpt.				below standpt.
			below standpt.				below standpt.
			below standpt.				below standpt.
			below standpt.				below standpt.

Prepared by: M. Krahe 20-2-19

Checked:

Checked: M. Krahe

Notes on U.T.M. Grid

31-2733-1

