

7408

CENTRAL MAPPING AUTHORITY

Department of Lands

Trigonometrical Survey of N.S.W.

RECONNAISSANCE and MAINTENANCE REPORT

STATION CAMERONS BLUFF TS 1367

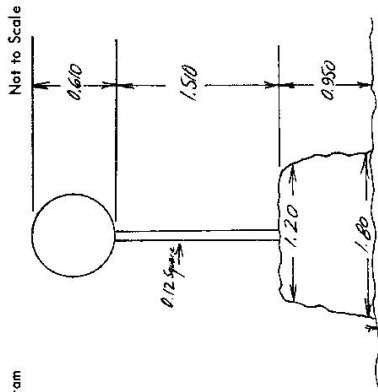
Co: *Macquarie* Phi: *Macrow*
 Map Sheet: *CHURCHILL* No: *S 335*
 Inspected by: *M.L. MORRISON* Date: *9-8-77*
 Authority: *Field Book: 1581*

This Trig. Station has been: *timbered backing*

- 1. Completely ~~cleared to permit~~ *timbered backing* 360° vision to surrounding Trigs.
- 2. Cleared by lanes bearing from Trig. Mast
- 3. Trig. Mast & Vanes have been painted white & black respectively.
- 4. The Trig. was unpiled/not unpiled, dimensions now being:

Description of mark..... should be explicit, e.g. Steel plug, Brass plug, Bolt, G.I. Pipe
 Height of mark..... m ^{above} / _{below} rock/concrete m ^{above} / _{below} G.I.
 Height of Top Vanes to Top Mark..... m. Diameter of Vanes (vertical). *0.60* m.
 Height of Cairn..... ^{1.20 top} ~~1.80 base~~ m.
 Length of Mast..... *3.07* m. (approximate if not unpiled)

- 5. A..... set in conc/rock has been placed..... m. bearing..... °M from Trig. Mast
- 6. A..... set in conc/soil has been placed..... m. bearing..... °M from Trig. Mast
- 7. A..... set in conc/soil has been placed..... m. bearing..... °M from Trig. Mast
- 8. A..... set in conc/rock has been placed..... m. bearing..... °M from Trig. Mast
- 9. Connection..... to..... m. bearing..... °M
- 10. Connection..... to..... m. bearing..... °M
- 11. Connection..... to..... m. bearing..... °M
- 12. Connection..... to..... m. bearing..... °M
- 13. Diff. Ht. is..... m. ^{above} / _{below}
- 14. Diff. Ht. is..... m. ^{above} / _{below}
- 15. Diff. Ht. is..... m. ^{above} / _{below}
- 16. Diff. Ht. is..... m. ^{above} / _{below}



Date

Record of Station

TRIG SET IN GOOD ORDER. NEEDS PAINTING. NO OTHER MARKS TO LANE.

Checked

Prepared by: *M.L. Morrison*

Checked:

Noted on U.T.M. Card

STATION CAMERONS BLUFF TS 1367

Owners Name: Mt Mount Base Station
 Current Occupant:

Address:
 Address:

Access 9-8-1977

DIRECTION
 CAMERONS CAMP FORESTRY CAMP HEAD WEST ALONG MARTINS FOREST HWY
 FOLLOW MARTINS FOREST HWY, PASSING FORBES FOREST ROAD ON LEFT
 AT BLUFF RD INTERSECTION TURN LEFT INTO GRAVEL QUARRY
 PARK TRUCK AT TRAIL QUARRY. WALK UP OLD SOIL TRACK TO SMALL ROCKY
 BLUFF. TAKE WY UP BLUFF TO TOP OF HILL AND TRIP. 104.3mm STEEP 73.0m at.

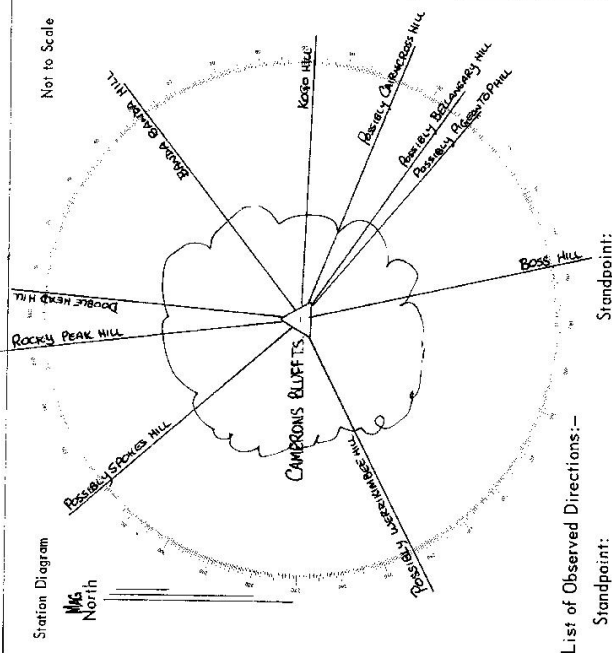
Km

0.10

0.35

2.95

3.05



List of Observed Directions:-

Standpoint:	
Station	Direction
Standpoint:	
Station	Direction