



TS12250

CENTRAL MAPPING AUTHORITY  
Department of Lands

Trigonometrical Survey of N.S.W.

RECONNAISSANCE and MAINTENANCE REPORT

STATION **TS12250**  
 Co: **CMS SURVEYORS** Ph: **02 9971 4802**  
 Map Sheet: \_\_\_\_\_ No: \_\_\_\_\_  
 Inspected by: **ANDREW MOORE** Date: **8-4-15**  
 Authority \_\_\_\_\_ Field Book: **12975**

This Trig. Station has been:-

Note: Cross out word or words which do not apply

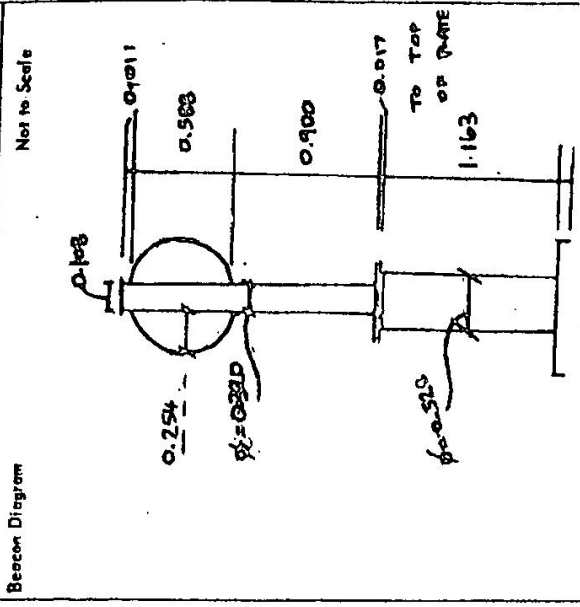
1. Completely cleared to permit 360° vision to surrounding Trigs.
2. Cleared by lances bearing..... from Trig. Mast
3. Trig. Mast & Vanes have been painted white & black respectively.
4. The Trig. was unpiled/not unpiled, dimensions now being: Original Station Mark found / not found

Description of mark..... should be explicit, e.g. Steel plug, Brass plug, Bolt, G.I. Pipe  
 Height of mark..... m above rock/concrete ..... m above G.L.  
 Height of Top Vanes to Top Mark..... m. Diameter of Vanes (vertical)..... m.  
 Height of Cairn..... m. Diameter of Cairn..... m.

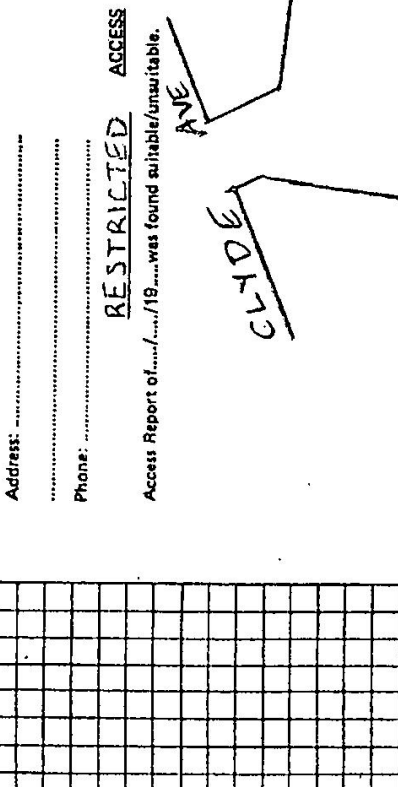
- Length of Mast..... m. (approximate if not unpiled)
5. A..... set in conc/rock has been placed..... m. bearing..... °M from Trig. Mast
  6. A..... set in conc/soil has been placed..... m. bearing..... °M from Trig. Mast
  7. A..... set in conc/soil has been placed..... m. bearing..... °M from Trig. Mast
  8. A..... set in conc/rock has been placed..... m. bearing..... °M from Trig. Mast

9. Connection..... to..... m. bearing..... °M
10. Connection..... to..... m. bearing..... °M
11. Connection..... to..... m. bearing..... °M
12. Connection..... to..... m. bearing..... °M
13. Diff. Ht. .. is..... m. above below
14. Diff. Ht. .. is..... m. above below
15. Diff. Ht. .. is..... m. above below
16. Diff. Ht. .. is..... m. above below

Prepared by: \_\_\_\_\_ Checked: \_\_\_\_\_  
 Noted on U.T.M. Card



Date \_\_\_\_\_ Record of Station  
**8-4-15 A. Moore SKETCH OF STATION**  
 Note: **ACCESS RESTRICTED**  
 Checked \_\_\_\_\_

<p>TS 12250</p>	<p>STATION</p>	<p>Current Occupant:</p> <p>Address:</p> <p>Phone:</p>	
<p>Owner's Name: SYDNEY WATER</p> <p>Address:</p> <p>Phone:</p>	<p>RESTRICTED ACCESS</p> <p>AVE</p>	<p>Access Report of: /19 was found suitable/unavailable.</p>	
<p>Diagram Not to Scale</p>		<p>Date</p>	<p>Record of Station</p>
<p>Not to Scale</p>			
<p>This section to be completed by officer constructing pillar.</p>			
<p>Original station mark found/not found.</p>			
<p>Description of mark:</p>			
<p>Original beacon found/not found.</p>			
<p>Description of beacon:</p>			
<p>Height Top of Vane to Top Mark: .....m.</p>			
<p>Height of mark: .....m. above rock/conc .....m. below</p>			
<p>Diameter of Vane .....m. Height of Calm .....m.</p>			
<p>Original Beacon has/has not been destroyed by ms.</p>			



TS12250

CENTRAL MAPPING AUTHORITY  
Department of Lands

TS12250

RECONNAISSANCE and MAINTENANCE REPORT

STATION HAMMONDVILLE 2015  
 Co: CMS SURVEYORS Ph: 02 997 14802  
 Map Sheet: No:  
 Inspected by: ANDREW MARRAS Date: 8-4-15  
 Authority: Field Book: 12975

This Trig. Station has been: Note: Cross out word or words which do not apply

1. Completely cleared to permit 360° vision to surrounding Trigs.
2. Cleared by limes bearing.
3. Trig. Mast & Vanes have been painted white & black respectively. from Trig. Mast
4. The Trig. was unpiled/not unpiled, dimensions now being: Original Station Mark found / not found

Description of mark: should be explicit, e.g. Steel plug, Brass plug, Bolt, G.I. Pipe

Height of mark: m above rock/concrete m below G.L.

Height of Top Vanes to Top Mark: m. Diameter of Vanes (vertical) m.

Height of Cairn: m. Diameter of Cairn: m.

Length of Mast: m. (approximate if not unpiled)

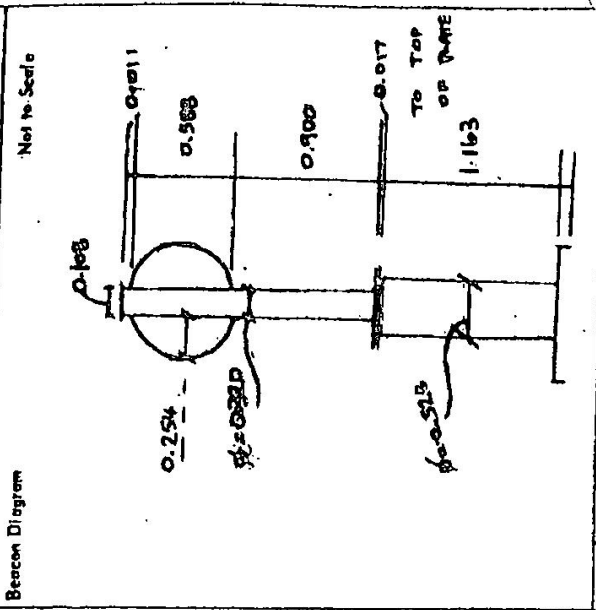
5. A. set in conc/rock has been placed m. bearing °M from Trig. Mast
6. A. set in conc/soil has been placed m. bearing °M from Trig. Mast
7. A. set in conc/soil has been placed m. bearing °M from Trig. Mast
8. A. set in conc/rock has been placed m. bearing °M from Trig. Mast

9. Connection to m. bearing °M
10. Connection to m. bearing °M
11. Connection to m. bearing °M
12. Connection to m. bearing °M
13. Diff. Ht. is m. above below
14. Diff. Ht. is m. above below
15. Diff. Ht. is m. above below
16. Diff. Ht. is m. above below

Prepared by:

Checked:

Noted on U.T.M. Card



Date: 8-4-15  
 Record of Station: A. MARRAS SURVEY OF STATION.  
 Note: ACCESS DESTROYED. Checked

