

75.08

Department of Lands
Integral Survey of N.S.W.
RECONNAISSANCE and MAINTENANCE REPORT 1100

STATION BOUNDARY I 77 TS 1100

Co: CUMBERLAND Ph: MANLY COVE
Map Sheet: TERREY HILLS 1:10000 No: 61867
Inspected by: P R HAREDMIRE Date: 2/4/81
Authority: INTELLIGENCE SURVEYS Field Book: TDP 1657/4

This Trig. Station has been:-
Note: Cross out word or words which do not apply

1. Completely cleared to permit 360° vision to surrounding Trigs.
2. Cleared by lones bearing.
3. Trig. Mast & Vanes have been painted white & black respectively.
4. The Trig. was unpiled/not unpiled, dimensions now being:

Description of mark: CONCRETE PILLAR should be explicit, e.g. Steel plug, Brass plug, Balr, Concrete Pillar
Height of mark: 1.35 m above ~~rock~~ concrete m above below G.L.
Height of Top Vanes to Top Mark/Top pillar plate: 1.455 m Diameter of Vanes (vertical) 0.61 m.
Height of Cairn: m. Diameter of Cairn: m.
Length of Mast: 0.845 m. (approximate if not unpiled)

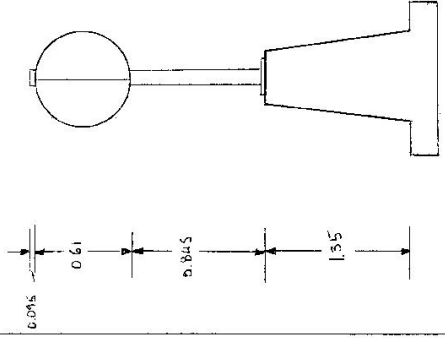
5. A ~~PIVOT~~ set in conc./~~rock~~ has been placed/d 0.525 m. bearing 114° M from Trig. Mast/pillar
6. A STEEL PEG set in conc./soil has been placed/d 44.2 IN. m. bearing° M from Trig. Mast/pillar
7. A set in conc./soil has been placed/d m. bearing° M from Trig. Mast/pillar
8. A set in conc./rock has been placed/d m. bearing° M from Trig. Mast/pillar

9. Connection PILLAR to OLD PLOC: 0.525 m. bearing 114° M
10. Connection PILLAR to STEEL PEG: 2.114 m. bearing 8° M

11. Connection: to: m. bearing° M
12. Connection: to: m. bearing° M
13. Diff. Ht. OLD PLOC (PYPYMS) is 1.584 m. BELOW PILLAR PLATE
14. Diff. Ht. STEEL PEG is 1.423 m. above PILLAR PLATE
15. Diff. Ht. is m. above below
16. Diff. Ht. is m. above below

Prepared by: Paul R Haredmire Checked: UNK

Beacon Diagram Not to Scale



Date	Record of Station
7/2/80	NEW MAST AND VANES
2/4/81	OLD TRIG. PLOC REMOVED. NOW PM 39775

STATION TS 1100 BOUNDARY [P]

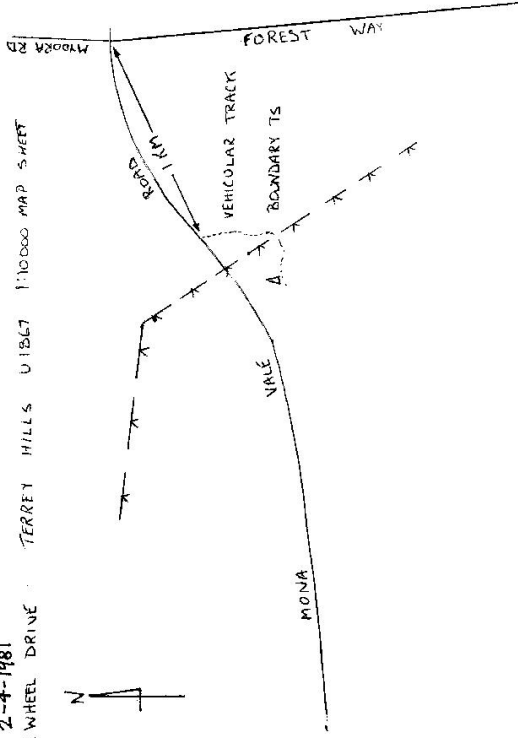
1100

Owners Name: Current Occupant:

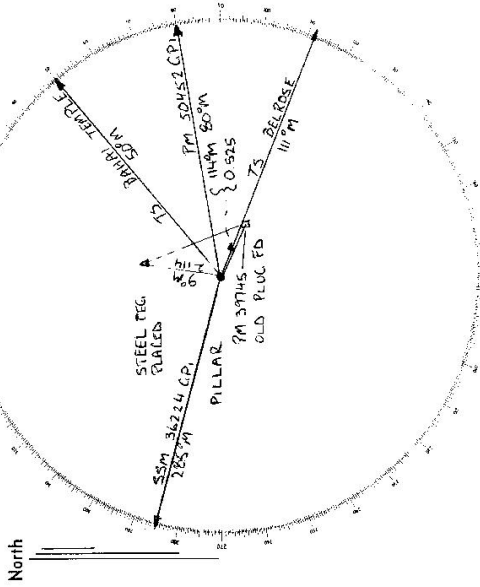
Address:

2-4-1981

Access 2 WHEEL DRIVE TERREY HILLS U1867 1:10000 MAP SHEET



Station Diagram Not to Scale



List of Observed Directions:- F581 (L597)4

Standpoint: BOUNDARY PILLAR Standpoint:

Station	Direction	Station	Direction
BAHAJI TEMPLE	50 06 00		
PM 50452 CPI	80 06 02		
TS BELROSE [P]	102 57 18		
SSM 36224 CPI	285 28 13		

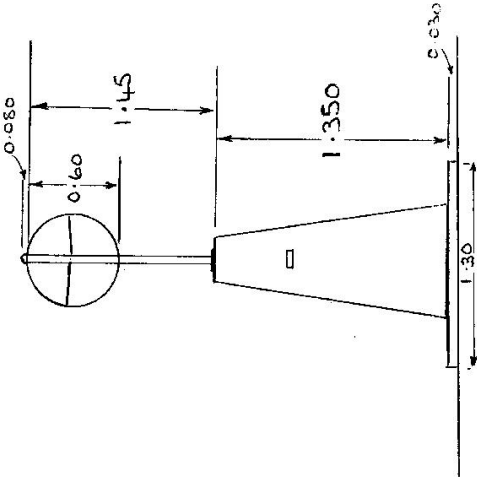
D. West, Government Printer, New South Wales - 1976

75-10-8

Department of Lands
 Integration: rvey of N.S.W.
 RECONNAISSANCE and MAINTENANCE REPORT
 This Trig. Station has been:-
 Note: Cross out word or words which do not apply

STATION BOUNDARY (P) TS. 1100
 Co: COMBERLAND Ph: MANLY COVE
 Map Sheet: PERSEY HILLS 1/1067 No:
 Inspected by: R. LANDER Date: 6-1-83
 Authority: LANDS DEPT. Field Book: 5056/6

Beacon Diagram
 Not to Scale



1. Completely cleared to permit 360° vision to surrounding Trigs.
2. Cleared by lanes bearing..... from Trig. Mast
3. Trig. Mast & Vanes have been painted white & black respectively.
4. The Trig. was unpiled/~~not unpiled~~; dimensions now being:
 Description of mark..... Concrete Pillar..... should be explicit, e.g. Steel plug, Brass plug, Bolt, Concrete Pillar
 Height of mark..... 1.35 m above ~~rock~~/concrete..... 1.38 m above ~~rock~~/G.L.
 Height of Top Vanes to Top Mark/Top pillar plate..... 1.45 m Diameter of Vanes (vertical)..... 0.6 m.
 Height of Cairn..... m..... Diameter of Cairn..... m.
5. A. STEEL ROD set in ~~concrete~~/rock has been placed/fd..... 2.17 m, bearing..... 12 °M from Trig. Mast/pillar
 Length of Mast..... m..... (~~approximate if not supplied~~)
6. A. PLATE set in conc./soil has been placed/fd..... 0.515 m, bearing..... 128 °M from Trig. Mast/pillar
PLATE set in conc./soil has been placed/fd..... m, bearing..... °M from Trig. Mast/pillar
7. A..... set in conc./soil has been placed/fd..... m, bearing..... °M from Trig. Mast/pillar
8. A..... set in conc./rock has been placed/fd..... m, bearing..... °M from Trig. Mast/pillar
9. Connection..... to..... m, bearing..... °M
10. Connection..... to..... m, bearing..... °M
11. Connection..... to..... m, bearing..... °M
12. Connection..... to..... m, bearing..... °M
13. Diff. Ht. STEEL ROD is 1.421 m, ~~above~~/below ALLAN PLATE } FROM STATION
14. Diff. Ht. PLATE IN COVER BOX is 1.586 m, ~~above~~/below ALLAN PLATE } SUMMARY 5056/6
15. Diff. Ht. is..... m, ~~above~~/below.....
16. Diff. Ht. is..... m, ~~above~~/below.....

Prepared by: R. LANDER 17-6-83 checked: [Signature] 21-6-83

Date: 6-1-83 Record of Station: SUMMARY + LOCAL ORIENTATION

STATION OP Boundary TS. 1100

Current Occupant.....

Address.....

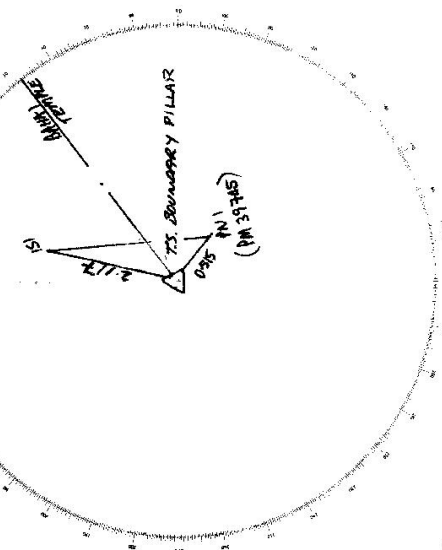
Owners Name: CROWN LANDS

Address.....

6-1-83
Access See previous Report.

Station Diagram Not to Scale

North



List of Observed Directions:-

Stationpoint: PILLAR		Stationpoint: SEE PDP 5856/6	
Station	Direction	Station	Direction
BANK TOWER	0° 00' 00"		
APPROX RES	62° 57' 22"		
151	318° 38' 15"		
PVI (PM 3745)	64° 25' 52"		
Station	Direction	Station	Direction