

Department of Lands

Integrated Survey of N.S.W.

RECONNAISSANCE and MAINTENANCE REPORT

STATION KOLORA TS (P) 10268

This Trig. Station has been:-

Note: Cross out word or words which do not apply

1. Completely cleared to permit 360° vision to surrounding Trigs.

2. Cleared by lanes bearing..... from Trig. Mast

3. Trig. Mast & Vanes have been painted white & black respectively.

4. The Trig. was unpiled/not unpiled, dimensions now being:

Description of mark: ~~steel roof top pillar~~ Platform ~~concrete~~ concrete ~~1.27 m above Gt.~~ 1.27 m above Gt.

Height of mark: ~~1.37 m~~ 1.27 m

Height of Top Vanes to ~~Platform~~ Top pillar plate: ~~1.45 m~~ 1.45 m Diameter of Vanes (vertical): ~~0.60 m.~~

Height of Cairn: m. Diameter of Cairn: m.

Length of Mast: ~~1.53 m.~~ (approximate if not unpiled)

5. A. ~~set in conc/rock has been placed/fd~~ m. bearing ~~°M from Trig. Mast/pillar~~

6. A. ~~set in conc/soil has been placed/fd~~ m. bearing ~~°M from Trig. Mast/pillar~~

7. A. ~~set in conc/soil has been placed/fd~~ m. bearing ~~°M from Trig. Mast/pillar~~

8. A. ~~set in conc/rock has been placed/fd~~ m. bearing ~~°M from Trig. Mast/pillar~~

9. Connection: to m. bearing ~~°M~~

10. Connection: to m. bearing ~~°M~~

11. Connection: to m. bearing ~~°M~~

12. Connection: to m. bearing ~~°M~~

13. Diff. Ht. is m. ~~above~~ ~~below~~

14. Diff. Ht. is m. ~~above~~ ~~below~~

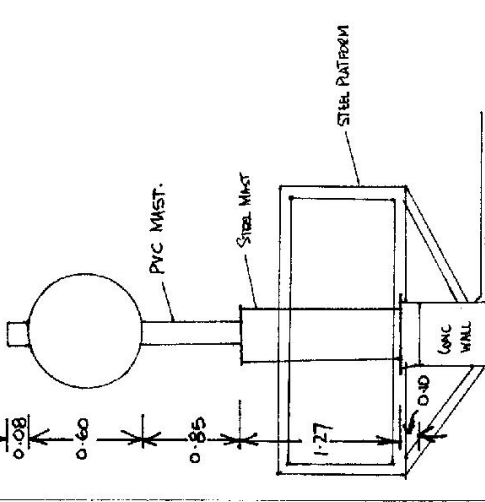
15. Diff. Ht. is m. ~~above~~ ~~below~~

16. Diff. Ht. is m. ~~above~~ ~~below~~

Prepared by: L.M HAYES 20-10-76 Checked:

Co: COOK
 Map Sheet: KATOOMBIA
 Inspected by: L.M HAYES
 Authority: Dept of Lands
 No: 8930-1-5
 Date: 20-10-76
 Field Book: 801 (P22)

Beacon Diagram
 Not to Scale



Date
 Record of Station

