

Integrated Survey of N.S.W.

Department of Lands

RECONNAISSANCE and MAINTENANCE REPORT IO 272

STATION Koonje (P) K 10272

This Trig. Station has been:-

Note: Cross out word or words which do not apply

1. Completely cleared to permit 360° vision to surrounding Trigs.

2. Cleared by James bearing

3. Trig. Mast & Vanes have been painted white & black respectively.

4. The Trig. was unpiled/~~not unpiled~~, dimensions now being:

Description of mark: Roof top Pillar should be explicit, e.g. Steel plug, Brass plug, Bolt, Concrete Pillar

Height of mark: 1.27 m ^{above} ~~below~~ roof slab ~~roof concrete~~ m above below G.L.

Height of Top Vanes to ~~top mark~~ Top pillar plate: 1.51 m Diameter of Vanes (vertical): 0.60 m.

Height of Cairn: m. Diameter of Cairn: m.

Length of Mast: 1.56 m. (approximate if not unpiled)

- 5. A set in conc/rock has been placed/fd m. bearing °M from Trig. Mast/pillar
- 6. A set in conc/soil has been placed/fd m. bearing °M from Trig. Mast/pillar
- 7. A set in conc/soil has been placed/fd m. bearing °M from Trig. Mast/pillar
- 8. A set in conc/rock has been placed/fd m. bearing °M from Trig. Mast/pillar

9. Connection to m. bearing °M

10. Connection to m. bearing °M

11. Connection to m. bearing °M

12. Connection to m. bearing °M

13. Diff. Ht. is m. ^{above} ~~below~~

14. Diff. Ht. is m. ^{above} ~~below~~

15. Diff. Ht. is m. ^{above} ~~below~~

16. Diff. Ht. is m. ^{above} ~~below~~

Prepared by: L. M HAYES Checked:

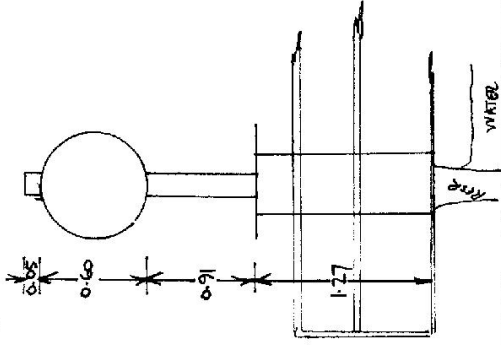
Col.: COOK Ph: Megalong

Map Sheet: KATOOMBA No: E930-1-S

Inspected by: L. M HAYES Date: Dec 1976

Authority: Dept of Lands Field Book: RF 80

Beacon Diagram Not to Scale



Date

Record of Station

YR 1982

STATION **KOONJE TS** 10212

Current Occupant:

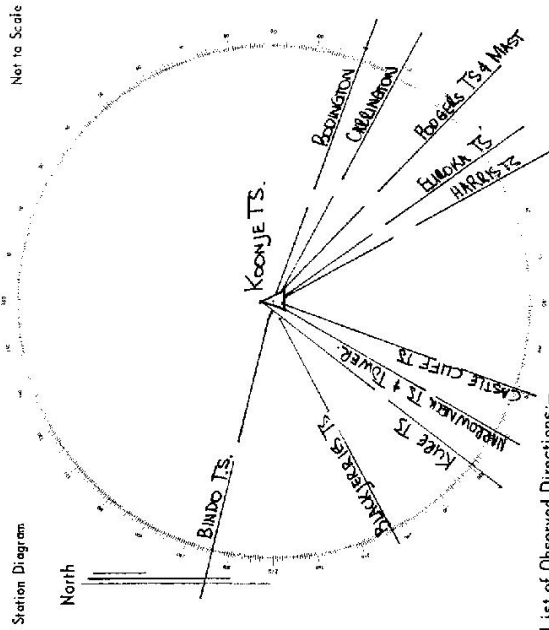
Address:

Owners Name:

Address:

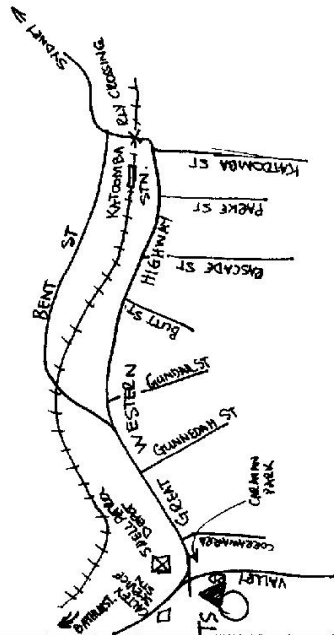
Access CONVENTIONAL VEHICLE Dec 1976
 Note key for access is obtainable from Blue Mtns City Council

Not to Scale



List of Observed Directions:-

Standpoint:		Station	Direction	Station	Direction
		BODINGTON TS	110 00 00		
		CAPERINGTON CHIMNEY	118 24 26		
		POPULARS MAST	133 15 54		
		ROVERS TS	133 59 31		
		EURONOX TS	145 44 37		
		HARVEYS TS	151 30 24		
		CASTLE CLEFT TS	210 36 48		
		INVERLOCH NECK FIRE TOWER	210 04 27		
		INVERLOCH NECK TS	210 07 57		
		KURE	215 56 56		
		BINDO	284 34 19		
		BLACKJELLYES	292 20 41		



D. West, Government Printer, New South Wales - 1976