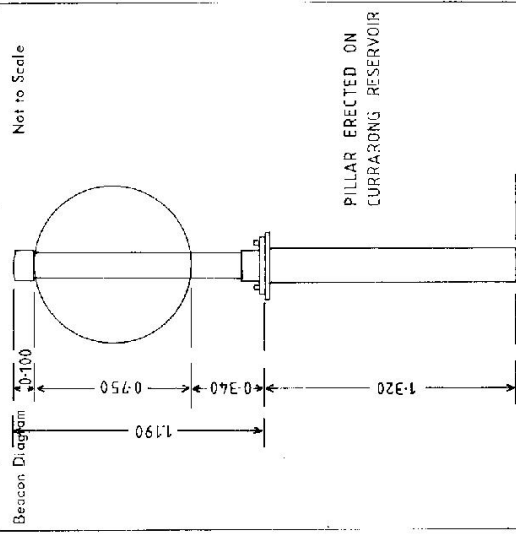


TS 10889
 STATION **CURRARONG**
 Co: **S.T. VINCENT** | Ph: **BEECROFT**
 Map Sheet: **CURRARONG 1:25,000** | No: **9027-1-N**
 Inspected by: **G. MURRAY** | Date: **1-5-89**
 Authority: **NOWRA LANDS OFFICE** | Field Book: **5723/16**



Date	Record of Station
1-5-89	ROOFTOP PILLAR ERECTED

Department of Lands
 Integration by of M. S. W.
RECONNAISSANCE and MAINTENANCE REPORT

This Trig. Station has been:-
 Note: Cross out word or words which do not apply

1. ~~Completely cleared to permit 360° vision to surrounding Trig.~~
2. Cleared by limes bearing 180 m = 120 m from Trig. Mast
3. Trig. Mast & Vanes have been painted white & black respectively.
4. ~~The Trig. was unplied/not unplied, dimensions now being:-~~

Description of mark: **ROOFTOP PILLAR** should be explicit, e.g. Steel plug, Brass plug, Bolt, Concrete Pillar
 Height of mark: 1.320 m above ~~rock~~ ^{concrete} ~~STEEL DECK~~ ^{G.L.}
 Height of Top Vanes to Top Mast: 50.401 AHD Diameter of Vanes (vertical): 0.750 m.
 Height of ~~Conn~~ Conn 0.100 m. Diameter of ~~Conn~~ Conn 0.100 m.

- Length of Mast: 1.190 m. (approximate if not unplied)
5. ~~A set in conc/rock has been placed in bearing~~ OM from Trig. Mast/pillar
 6. ~~A set in conc/soil has been placed in bearing~~ OM from Trig. Mast/pillar
 7. ~~A set in conc/soil has been placed in bearing~~ OM from Trig. Mast/pillar
 8. ~~A set in conc/rock has been placed in bearing~~ OM from Trig. Mast/pillar

9. Connection to OM bearing
10. Connection to OM bearing
11. Connection to OM bearing
12. Connection to OM bearing
13. Diff. Ht. to OM below
14. Diff. Ht. to OM below
15. Diff. Ht. to OM above
16. Diff. Ht. to OM below

Prepared by: G. MURRAY Checked: G. Murray

STATION T.S. 101 19 CURRARONG

TS 10889

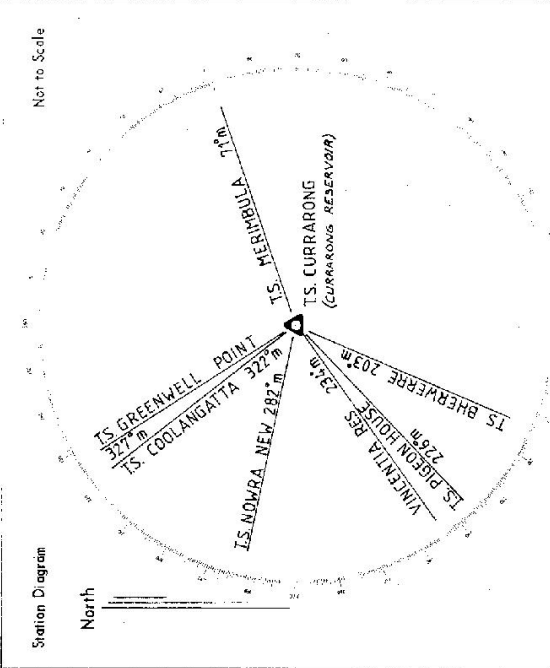
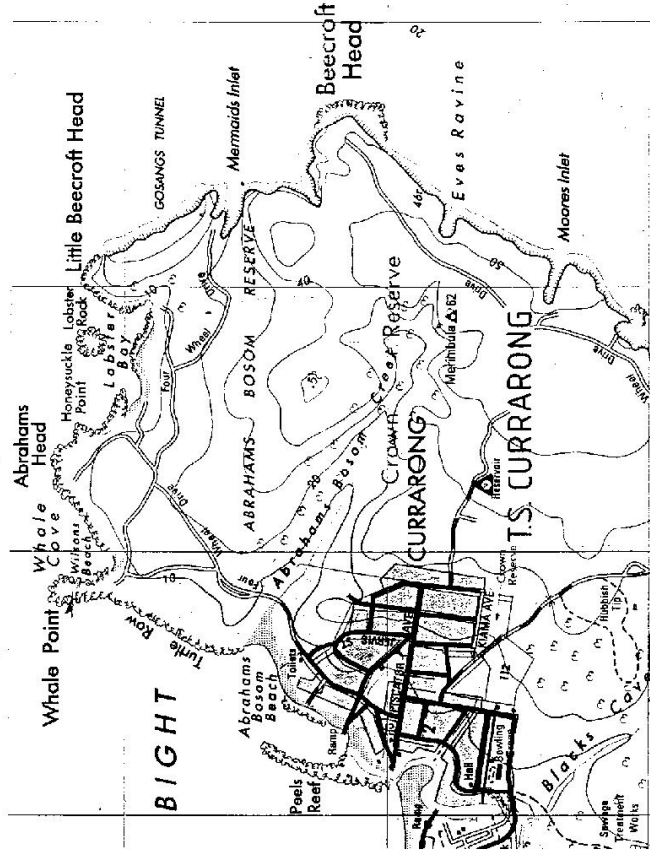
Owners Name: SHOALHAVEN CITY COUNCIL

Current Occupant:

Address: BRIDGE Rd, NOWRA

Address:

Access 1-5-1989 CURRARONG 1:25000



List of Observed Directions:-

Stationpoint:		Station		Direction	
Station	Direction	Station	Direction	Station	Direction