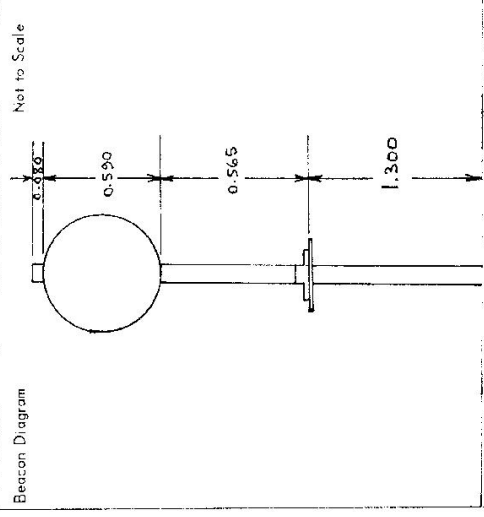


TS 888 TS 10888
 STATION RETTEAN LOCKS NUMBAA

STATION ST VINCENT Ph: NUMBAA
 Co: NOBURA 1:25,000 No: 9028-11-S
 Inspected by: G. MULLAY Date: 11-5-68
 Authority: LANDS DEPARTMENT Field Book: 51473



Department of Lands
 Integrative RECONNAISSANCE and MAINTENANCE REPORT
 Note: Cross out word or words which do not apply

This Trig. Station has been: completely cleared to permit 360° vision to surrounding Trigs.

- 1. Completely cleared to permit 360° vision to surrounding Trigs.
- 2. Cleared by James bearing from Trig. Mast
- 3. Trig. Mast & Vanes have been painted white & black respectively.
- 4. The Trig. was unpiled/not unpiled, dimensions now being

Description of mark: ROOF TOP PILLAR should be explicit, e.g. Steel plug, Brass plug, Bolt, Concrete Pillar
 Height of mark: 1.300 m ^{above} rock-concrete Reservoir m ^{above} G.L.
 Height of Top Vanes to Top-Mark/Top pillar plate: 1.155 m Diameter of Vanes (vertical): 0.590 m.

- Height of Cairn: 0.565 m Diameter of Cairn: 0.300 m
- Length of Mast: 0.565 m. (approximate if not unpiled)
- 5. A set in conc/rock has been placed/fd m. bearing 0°M from Trig. Mast/pillar
- 6. A set in conc/soil has been placed/fd m. bearing 0°M from Trig. Mast/pillar
- 7. A set in conc/soil has been placed/fd m. bearing 0°M from Trig. Mast/pillar
- 8. A set in conc/rock has been placed/fd m. bearing 0°M from Trig. Mast/pillar

- 9. Connection to 0°M m. bearing 0°M
- 10. Connection to 0°M m. bearing 0°M
- 11. Connection to 0°M m. bearing 0°M
- 12. Connection to 0°M m. bearing 0°M
- 13. Diff. Ht. is 0°M m. ^{above} below
- 14. Diff. Ht. is 0°M m. ^{above} below
- 15. Diff. Ht. is 0°M m. ^{above} below
- 16. Diff. Ht. is 0°M m. ^{above} below

Prepared by: P. MULRAY Checked: G. MULLAY
 Date: 11-5-68 Record of Station: Roof top beacon erected

