

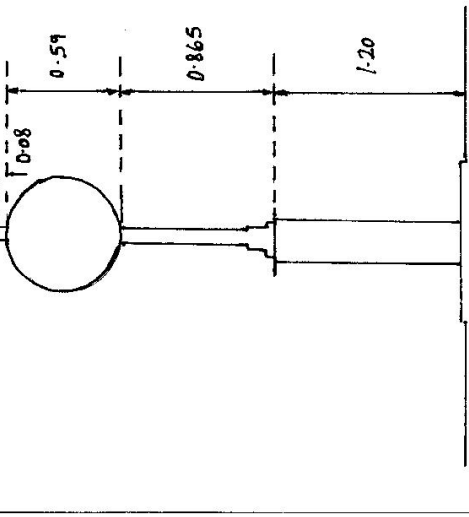
Department of Lands
 Integrat Survey of N.S.W.
RECONNAISSANCE and MAINTENANCE REPORT

STATION **TS 10881** (**ALEXANDRAP**)
 Co: **CAMDEN** Ph: **MITTAGONG**
 Map Sheet: **MITTAGONG** (S: 8779 - 11 - S)
 Inspected by: **P. J. ARMSTRONG** Date: **21/10/87**
 Authority: **D.M.R.** Field Book: **F82**
 Ref: **6005** 459 65000+

This Trig. Station has been:-
 Note: Cross out word or words which do not apply

1. Completely cleared to permit 360° view to surrounding三角
2. Cleared by lanes bearing 0°5', 50°60', 243° - 255' from Trig. Mast
3. Trig. Mast & Vanes have been painted white & black respectively.
4. The Trig. was unpiled/not unpiled, dimensions now being:

- Description of mark: STEEL LANTERN on STEEL PILLAR should be explicitly, e.g. Steel plug, Brass plug, Bolt, Concrete Pillar
- Height of mark: m above rock, concrete 1.20 m above G.L.
- Height of Top Vanes to Top Mark/Top pillar plate 1.455 m Diameter of Vanes (vertical) 59 m.
- Height of Cairn: m Diameter of Cairn: m.
- Length of Mast 1.535 m. (approximate if not unpiled)
5. A. SSA set in ~~conc~~/rock has been placed/d 4.380 m. bearing 117°30' 0M from Trig. Mast/pillar
 6. A. set in conc/soil has been placed/d m. bearing 0M from Trig. Mast/pillar
 7. A. set in conc/soil has been placed/d m. bearing 0M from Trig. Mast/pillar
 8. A. AL PLUG set in ~~conc~~/rock has been placed/d 3.360 m. bearing 258°30' 0M from Trig. Mast/pillar
 9. Connection AL PLUG to SSA 7.345 m. bearing 101° 0M
 10. Connection: to: m. bearing: 0M
 11. Connection: to: m. bearing: 0M
 12. Connection: to: m. bearing: 0M
 13. Diff. Ht. SSA 32805 is 555 m. below PILLAR PLATE
 14. Diff. Ht. AL PLUG is 1.485 m. above PILLAR PLATE
 15. Diff. Ht. is m. above/below
 16. Diff. Ht. is m. above/below
- Prepared by: P. J. ARMSTRONG Checked: B. H. TOMPSON



Date	Record of Station

STATION TS 10881 (ALEXANDRA (P))

REF: D.M.R. 20021 CONTROL BUNGALOW 405 475 CSECT

Owners Name.....

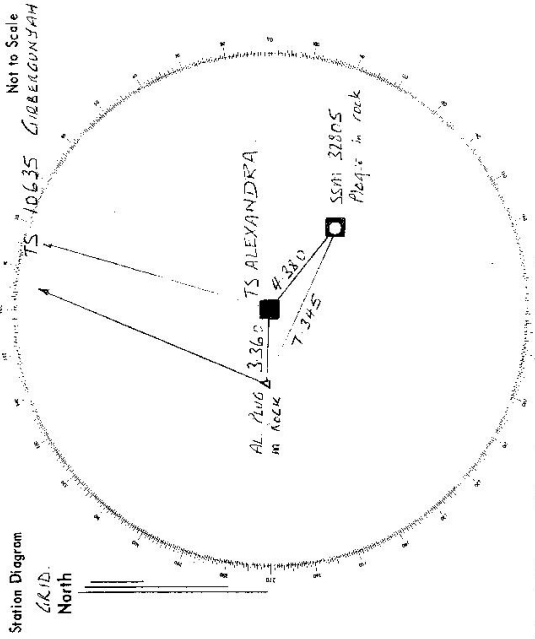
Address.....

21/10/87

Access: REFER TO LOCALITY SKETCH PLAN FOR
SSM 32805 PREPARED BY R.V. GRAYSON.
THIS DIAGRAM HAS BEEN CHECKED IN THE
FIELD AND FOUND TO BE CORRECT.

P. J. ALEXANDRA

21 OCT 1987



List of Observed Directions:-

Standpoint: STEEL ALLAR Standpoint: AL PLUG

Station	Direction	Station	Direction
TS 10635	0° 00' 00"	TS 10635	0° 00' 00"
AL PLUG	255° 27' 20"	TS 10881	75° 09' 10"
		SSM 32805	96° 17' 10"
Station	Direction	Station	Direction