

CENTRAL MAPPING AUTHORITY
Department of Lands

Trigonometrical Survey of N.S.W.

RECONNAISSANCE and MAINTENANCE REPORT

TS 10865
STATION ERSKINE ROCK (N)

Co: CUMBERLAND Pht: MEZVILLE
Map Sheet: No: 17332
Inspected by: Date: 17/8
Authority: M. W. S. S. B. Field Book: CA 6610

This Trig. Station has been:- Note: Cross out word or words which do not apply

1. Completely cleared to permit 360° vision to surrounding Trigs.
2. Cleared by lanes bearing from Trig. Mast
3. Trig. Mast & Vanes have been painted ~~white~~ & black respectively. NEW STATION
4. The Trig. was unpiled/not unpiled, dimensions now being:

Description of mark: STEEL PILLAR should be explicit, e.g. Steel plug, Brass plug, Bolt, G.I. Pipe
 Height of mark: 1.18 m above rock/concrete G.L.
 Height of Top Vanes to Top Mark: 1.42 m. Diameter of Vanes (vertical): 0.6 m.

Height of Cairn: m. Diameter of Cairn: m.

Length of Mast: m. (approximate if not supplied)

5. A set in conc/rock has been placed m. bearing°M from Trig. Mast
6. A set in conc/soil has been placed m. bearing°M from Trig. Mast
7. A set in conc/soil has been placed m. bearing°M from Trig. Mast
8. A set in conc/rock has been placed m. bearing°M from Trig. Mast

9. Connection to m. bearing°M

10. Connection to m. bearing°M

11. Connection to m. bearing°M

12. Connection to m. bearing°M

13. Diff. Ht. TOP OF PILLAR is 30.409 m. ^{above} PIVOT 1.18 m. PA 301230M

14. Diff. Ht. is m. ^{above} below

15. Diff. Ht. is m. ^{above} below

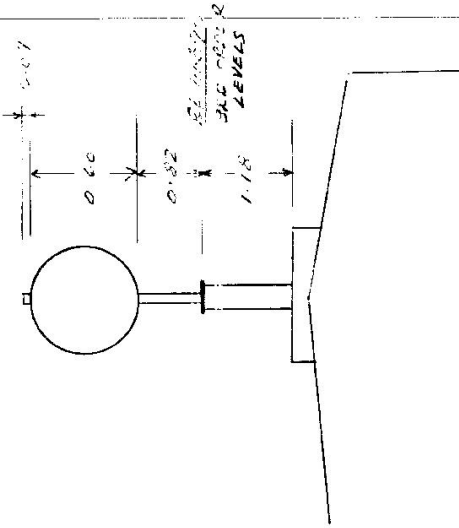
16. Diff. Ht. is m. ^{above} below

Prepared by: _____

Checked: _____

Noted on U.T.M. Card

Beacon Diagram



Date

Record of Station

Date	Record of Station

Checked

STATION ERSKIN - PARK (P) 10865

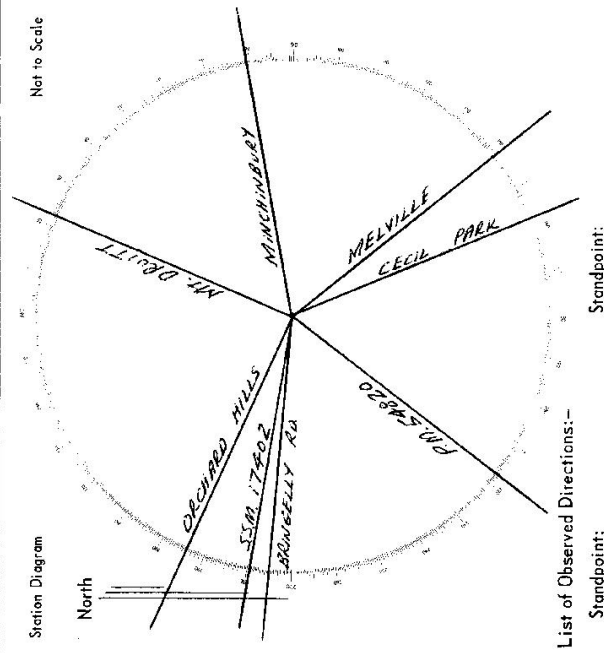
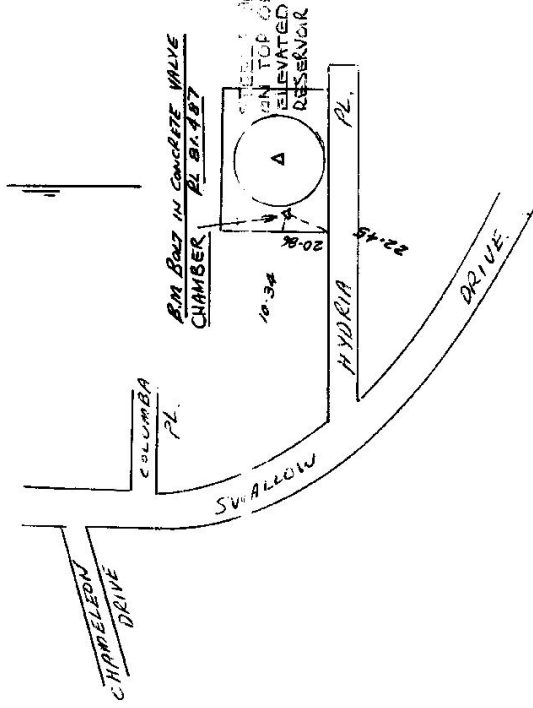
Current Occupant.....

Address.....

Owners Name.....

Address.....

9-7-1985
 Access SEE UBD MAP 57A E6
 KEY REQUIRED FOR ACCESS TO RESERVOIR SITE.
 SEE P.L. 22174 FOR DETAILS OF LEVELS



List of Observed Directions:-

Station	Direction	Station	Direction
CECIL PARK	0° 00' 00"	MT. DRUIT	224° 43' 46"
P.M. STARO	60° 00' 38"	MANAMBURY	200° 57' 30"
MANAMBURY RD	117° 21' 32"	MELVILLE	340° 32' 18"
SWALLOW	121° 52' 31"		
ORCHARD HILLS	136° 28' 28"		

Station	Direction	Station	Direction