

75-103

Department of Lands

Integrating survey of N.S.W.
RECONNAISSANCE and MAINTENANCE REPORT

STATION TS 10859 (SHANNON 191)

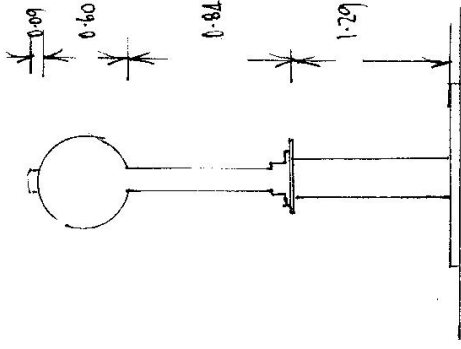
This Trig. Station has been:-

Note: Cross out word or words which do not apply

1. Completely cleared to permit 360° vision to surrounding Trigs. ✓
2. Cleared by lance bearing from Trig. Mast
3. Trig. Mast & Vanes have been painted white & black respectively. ✓
4. The Trig. was unpiled/~~not unpiled~~ dimensions now being:
 Description of mark... Steel Pillar should be explicit, e.g. Steel plug, Brass plug, Bolt, Concrete Pillar
 Height of mark... 1.29 m ^{above} rock/concrete _{below} G.L.
 Height of Top Vanes to ~~Top~~ Mark/Top pillar plate 1.44 m Diameter of Vanes (vertical) 0.6 m.
 Height of Cairn... 1.29 m. Diameter of Cairn 0.1 m.
 Length of Mast... 1.53 m. (approximate if not unpiled)

Co: NANDEWAL | No: 8926-III-N
 Map Sheet: GULLIGAL | Date: MAY 1985
 Inspected by: A. GRAHAM | Field Book: 5829 FDP
 Authority: SCB NICLE

Beacon Diagram Not to Scale



Date	Record of Station
1-5-85	Station visited & measured.

5. A. set in conc./rock has been placed/id m. bearing°M from Trig. Mast/pillar
6. A. set in conc./soil has been placed/id m. bearing°M from Trig. Mast/pillar
7. A. set in conc./soil has been placed/id m. bearing°M from Trig. Mast/pillar
8. A. set in conc./rock has been placed/id m. bearing°M from Trig. Mast/pillar
9. Connection..... to..... : m. bearing.....°M
10. Connection..... to..... : m. bearing.....°M
11. Connection..... to..... : m. bearing.....°M
12. Connection..... to..... : m. bearing.....°M
13. Diff. Ht. is..... m. ^{above} _{below}
14. Diff. Ht. is..... m. ^{above} _{below}
15. Diff. Ht. is..... m. ^{above} _{below}
16. Diff. Ht. is..... m. ^{above} _{below}

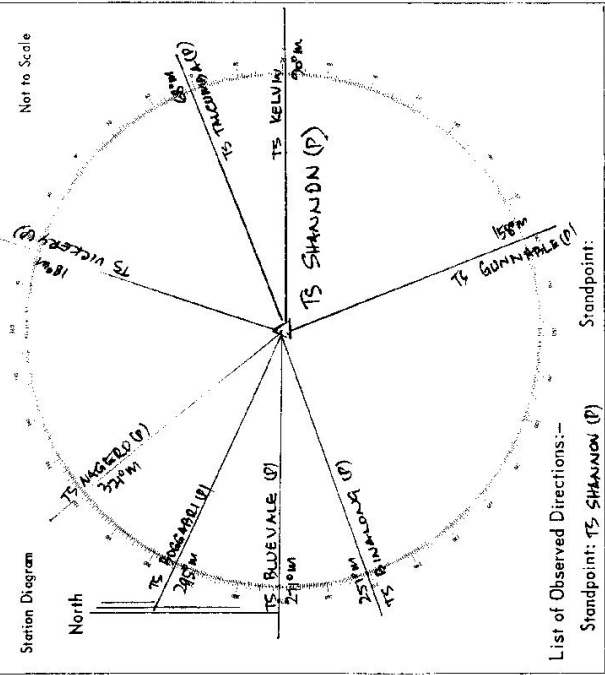
Prepared by: AG Checked: AG

STATION **TS 10859 (SHANNON (P))**

Owners Name: **VICKERY, JOINT VENTURE** Current Occupant: **Sumner**

Address: **GUNNEDART** Address:

- May 1985
 From Gunnedah, P.O.
 Travel west along Concedilly St.
 Turn Right into Chardos St
 1-6 Bridge
 2-3 Turn Left (Blue Vale Rd)
 8-1 Causeway
 9-5 "
 11-2 End of Ashmen
 25-1 Turn Right
 25-15 Gate
 25-2 Left fork
 25-25 Right "
 25-3 Left "
 25-35 Pass quarry on Left
 25-9 Gate
 26-0 Left fork
 26-5 Gate
 26-75 Gully
 27-0 Right fork
 27-1 Turn Left
 27-2 Trig:



List of Observed Directions:-

Standpoint: TS SHANNON (P)		Station	Direction
TS TAKUMBA (U)	68° 00' 00"		
TS KELVIN (U)	90° 45' 30"		
TS GUNNABLE (D)	158° 06' 01"		
TS BINALONG (D)	251° 48' 23"		
TS BLUEVALE (D)	271° 10' 32"		
TS DOGGARAI (D)	295° 10' 31"		
TS MAGERO (D)	321° 42' 45"		
TS VICKERY (D)	18° 53' 10"		