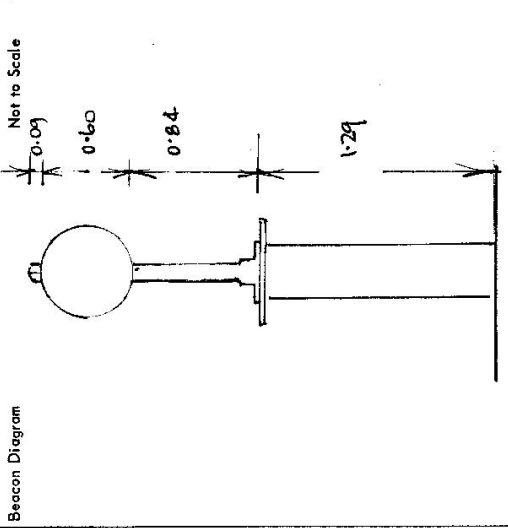


7.5.19.3

STATION TS 10858 (BLUE VALE [P])

Co: **NAIDENAR** | Ph: **BRENTBY** | No: **8936-111-N**  
 Map Sheet: **GULLIGAL**  
 Inspected by: **A. GRATHWA** | Date: **1-5-85**  
 Authority: **SEB MOLE** | Field Book: **5370**  
**5369 DDP**



Beacon Diagram

Date	Record of Station
1/5/85	Measured

Department of Lands | Integratic Survey of N.S.W. | RECONNAISSANCE and MAINTENANCE REPORT

Note: Cross out word or words which do not apply

This Trig. Station has been:

1. Completely cleared to permit 360° vision to surrounding Trigs. ✓
2. Cleared by ~~James bearing~~ Iron Trig. Mast
3. Trig. Mast & Vanes have been painted white & black respectively. ✓
4. The Trig. was unpiled/~~re-emplified~~, dimensions now being:

Description of mark... steel pillar ... should be explicit, e.g. Steel plug, Brass plug, Bolt, Concrete Pillar  
 Height of mark... 1.29 m <sup>above</sup> ~~mark~~ / <sup>below</sup> ~~concrete~~  
 Height of Top Vanes to ~~Top Mark~~ Top pillar plate 1.44 m Diameter of Vanes (vertical) 0.6 m.  
 Height of Cairn... 1.29 m. Diameter of Cairn 0.1 m.  
 Length of Mast... 1.53 m. (approximate if not unpiled)

5. A. .... set in conc./rock has been placed/fd ..... m. bearing .....°M from Trig. Mast/pillar
6. A. .... set in conc./soil has been placed/fd ..... m. bearing .....°M from Trig. Mast/pillar
7. A. .... set in conc./soil has been placed/fd ..... m. bearing .....°M from Trig. Mast/pillar
8. A. .... set in conc./rock has been placed/fd ..... m. bearing .....°M from Trig. Mast/pillar

9. Connection..... to..... m. bearing.....°M
10. Connection..... to..... m. bearing.....°M
11. Connection..... to..... m. bearing.....°M
12. Connection..... to..... m. bearing.....°M
13. Diff. Ht. .... is..... m. <sup>above</sup> ~~below~~
14. Diff. Ht. .... is..... m. <sup>above</sup> ~~below~~
15. Diff. Ht. .... is..... m. <sup>above</sup> ~~below~~
16. Diff. Ht. .... is..... m. <sup>above</sup> ~~below~~

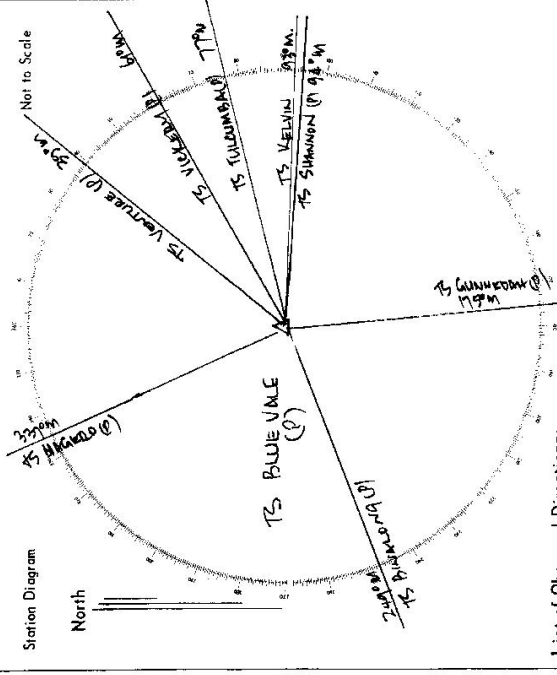
Prepared by: [Signature] Checked: [Signature]

STATION TS 10858 (BLUE VALE (P))

Owners Name: VICKERY JOINT VENTURE  
 Current Occupant: 81-157 / 121  
 Address: GUNNEDART  
 Address: DUNNER

- Access from Gunnedart P.O. 1-5-1985
- 0-0 Travel west along Conisidilly St
  - 0-6 Turn right into Chondos St
  - 1-2 Bridge
  - 2-3 Turn left (Blue Vale Rd)
  - 8-4 Causeway
  - 9-3 "
  - 25-1 Turn left.
  - 27-2 Straight ahead.
  - 28-8 Turn left through Double I. Gates.
  - 30-5 Turn right
  - 30-9 Fence - Tied beezed 10 m inside fence.

Access by conventional vehicle.



List of Observed Directions:-

Station	Direction	Station	Direction
TS BINLONAGH (P)	249° 00' 00"	TS SHANNON (P)	
TS MAGHERA (P)	337° 46' 38"	TS GUNNEDART (P)	
TS VENTURE (P)	390° 14' 12"		
TS VICKERY (P)	61° 04' 47"		
TS TULUMBART (P)	77° 53' 32"		
TS KEVIN (P)	93° 51' 33"		
TS SHANNON (P)	94° 09' 21"		
TS GUNNEDART (P)	115° 34' 20"		